

Com7 Card – WiFi / BT / GPS

Part Number: 88-00180-00

PRODUCT BRIEF



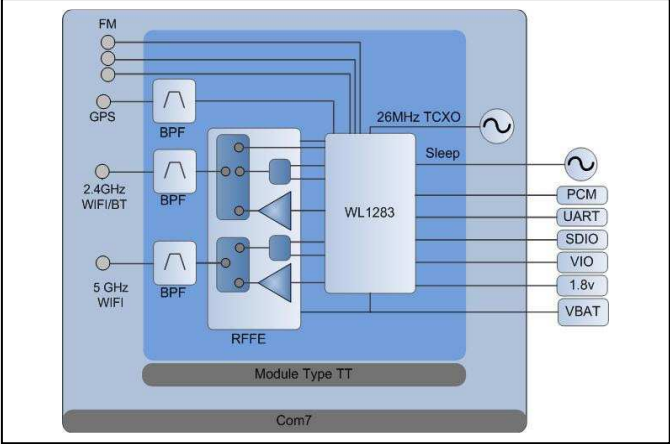
Description

The **Com7 Card** is a wireless connectivity card based on Murata’s type TT module and Texas Instruments WL1283 chipset. Com7 provides IEEE802.11 a/b/g/n wireless LAN, Bluetooth v3, FM radio, and GPS connectivity. The card interfaces directly within the TI OMAP4 Blaze platform available from SVTronics, www.svtronics.com.

On board major components include the Murata type TT module, a highly stable ± 1 ppm 26MHz TCXO, and U.FL coaxial connectors for WIFI, BT, GPS, and FM. Within the Murata type TT module is the WL1283 chipset, voltage regulation, and the RF front end integrated circuit. The Com7 card interfaces to the Samtec MEC6-150-02, 100 position edge socket.

Com7’s purpose is a convenient plug-in wireless connectivity solution for microprocessor development platforms. Developers begin product development with a pre-integrated platform enabling application development to begin earlier in the cycle. This approach enables faster time-to-market.

The customer eventually transitions from the development platform to the target form factor. The Murata type TT module will then typically reside on the customer’s host board to optimize performance, cost, and area for mass production.



Characteristics

Chipset	WL1283
Module	Type TT
Supply voltage	2.7 to 4.3 Vdc for VBAT
Interface voltage	1.8 Vdc for VIO
Operating Temperature	-20 to +70 deg C
Dimensions	36.36 x 25.43 x 1.6 mm
Package	Card form factor
Wireless Interfaces	U.FL type
Socket interface	Samtec MEC6-150-02

Note: Murata Inc. reserves the right to make changes in specifications at anytime and without notice. The information furnished in this product brief is believed to be accurate and reliable. However, no responsibility is assumed by Murata for its use, nor any infringements of patents or other rights of third parties resulting from its use. No license is generated under any rights of Murata or its supporters unless specifically agreed.