



SWITCH SILICON

InfiniScale®

Eight-Port 10 Gb/s 4X InfiniBand Switch

Overview

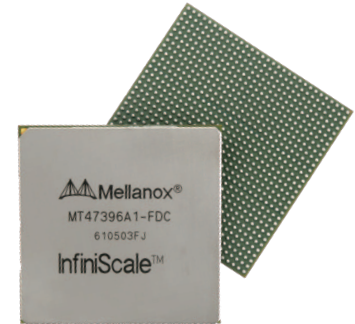
InfiniScale is the second generation of Mellanox's InfiniBand switch silicon devices and the first member of the InfiniScale switching product family. The InfiniBand Architecture delivers "Bandwidth Out of the Box" on a reliable, simple to manage and highly available fabric. InfiniScale enables 10Gb/s data center bandwidth for clustering, communication and storage.

High Performance Silicon

InfiniScale is an eight-port 10Gb/s 4X InfiniBand switch with integrated physical layer. The device features eight full wire speed, non-blocking full duplex 10Gb/s ports with more than 160Gb/s of aggregate bandwidth. The architecture features an intelligent non-blocking, packet switch design with an advanced scheduling engine that provides quality of service with breakthrough performance. The InfiniScale architecture has the ability to scale beyond its eight non-blocking 10Gb/s ports with multiple switch devices.

Complete Integrated Physical Layer

The InfiniScale device integrates thirty-two 2.5Gb/s SerDes in a single 520-pin package. This high level of integration reduces both power and system cost, simplifies board designs, reduces PCB size, and eliminates external physical layer parts which makes it an ideal switching solution for today's data center applications. This level of integration enables system vendors to build a complete eight-port 10Gb/s InfiniBand switch using only a single chip.



FEATURES

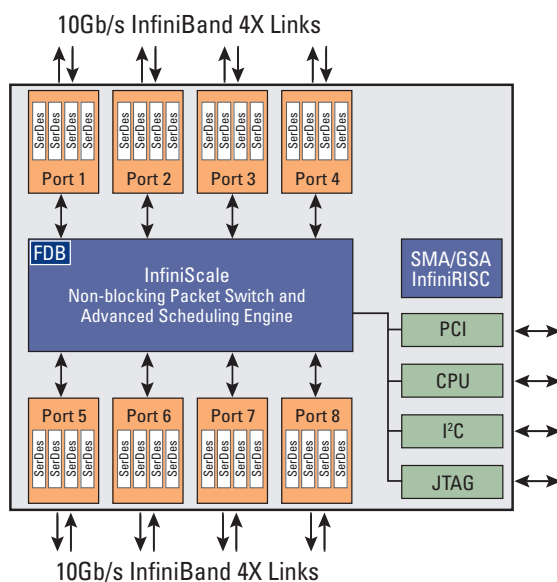
- Eight 10Gb/s InfiniBand 4X Ports
- 160Gb/s of Available Bandwidth
- 2Gb/s PCI Bus Bandwidth
- Scalable to 32 Non-Blocking Full Wire Speed 1X Ports
- Scalable to 192 Ports 1X (2.5Gb/s)
- Integrated SMA and GSA
- Inbound and Outbound Partition (P_KEY) Checking
- 32 Integrated 2.5Gb/s SerDes
- Cut-Through Switching
- InfiniPCI Technology Support
- Large On-Chip Port Buffering

BENEFITS

- Industry-standard technology
- Unified communications, computing, management, and storage
- High-bandwidth, low-latency
- Highly-efficient clustering
- Multi-platform support
- Congestion management and QoS
- Virtualized I/O fabric
- World-Class price/performance

PACKAGES

- Package Size: 40mm x 40mm
- Package: L2BGA, with 520 balls
- Typical Power: 18 Watts



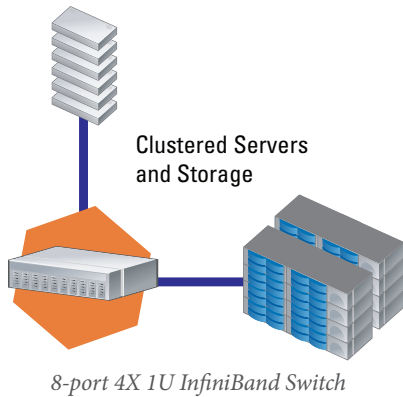
InfiniScale Block Diagram

InfiniScale Product Development Kit

Mellanox offers customers a complete Product Development Kit (PDK) for the InfiniScale device. The PDK includes an eight-port switch with standard 4X copper connectors packaged in a 1U chassis and includes schematics, layout, bill of mate-

rials, and a software development kit (SDK). The SDK contains driver development code, application examples, and debug/development tools, enabling customers to develop InfiniBand switches based on the reference software. The PDK is also supported by software management solutions from third-party InfiniBand software suppliers.

InfiniScale based InfiniBand Switch Products from Mellanox as Production Development Kits (PDK)



8-port 4X InfiniBand Switch

KEY APPLICATIONS

- Virtualized data centers that require a high-bandwidth, low-latency interconnect for server and storage grids
- High-performance parallelized computing leveraging
- Message Passing Interface (MPI) based applications such as molecular modeling, oil and gas exploration, car crash simulations, etc.
- Clustered database applications, parallel RDBMS queries, high-throughput data warehousing
- Performance storage applications such as backup, restore, mirroring, etc.
- High-bandwidth streaming content such as video-on-demand and HDTV
- Electronic Design Automation (EDA)

Switch Silicon Family

| Product | Switch Capacity | Switch Ports | Typical Power | Part Number |
|-------------|-----------------|--------------|---------------|-------------|
| InfiniScale | 60Gb/s | 8-10Gb/s 4X | 18W | MT43132 |



350 Oakmead Parkway, Suite 100, Sunnyvale, CA 94085
 Tel: 408-970-3400 • Fax: 408-970-3403
www.mellanox.com

© Copyright 2009. Mellanox Technologies. All rights reserved.
 Mellanox, ConnectX, InfiniBlast, InfiniBridge, InfiniHost, InfiniRISC, InfiniScale, and InfiniPCI are registered trademarks of Mellanox Technologies, Ltd. Virtual Protocol Interconnect and BridgeX are trademarks of Mellanox Technologies, Ltd. All other trademarks are property of their respective owners.