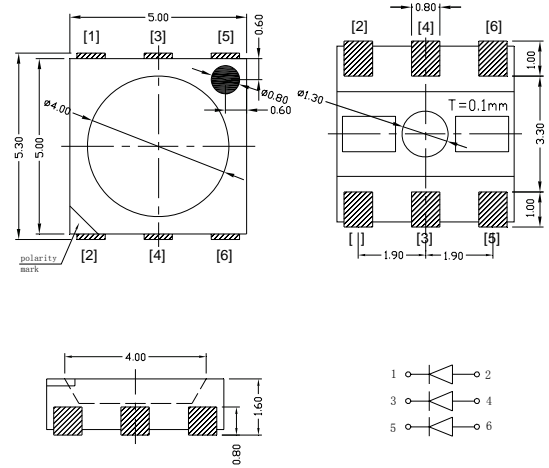




MCD-5050xx (5050 SMD TYPE) Ultra Brightness

ABSOLUTE MAXIMUM RATING:(Ta=25°C)

Parameter			Unit
DC Forward Current	30		mA
Reverse Voltage	5		V
Reverse Current (Vr=5V)	10		µA
Peak Forward Current ,tw ,=1 msec Duty ,=1/20	150		mA
Operation Temperature	-40	+100	°C
Storage Temperature	-40	+100	°C
Solder Dip Temperature (5 seconds, 1.6mm from body)	300	±5	°C



Features:

- Compatible with automatic placement equipment
- Compatible with reflow solder process

Applications:

- Automotive and Telecommunication
- General use for indicators

Part Number	EMITTED COLOR		Lens Color	Peak Wavelength (nm)	Vf (v) Typ.	IV (If=20mA) mcd		View Angle 2 θ 1/2
						Min.	Typ.	
5050UWC-3	InGaN	Super White	Water Clear	5500K-7500K	3.5	3600	4700	120°
5050UWC-3-H	InGaN	Super White	Water Clear	5500K-7500K	3.5	5400	6600	120°