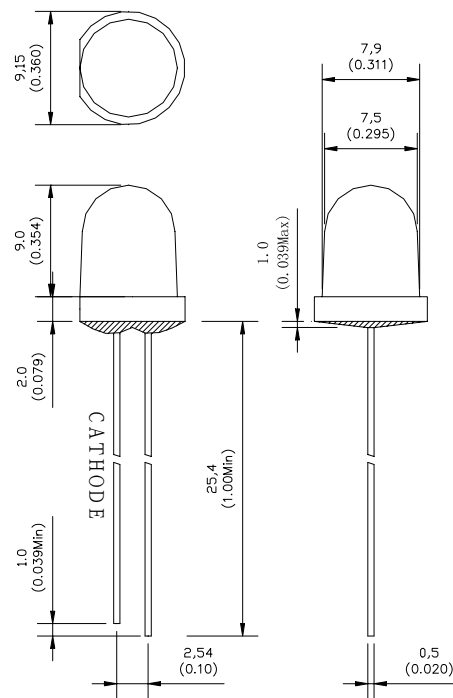




MCD-8003xx (Φ 8mm ROUND TYPE) Standard Brightness

ABSOLUTE MAXIMUM RATING:(Ta=25°C)



| Parameter | | | Unit |
|--|-----|---------|---------|
| DC Forward Current | 30 | | mA |
| Reverse Voltage | 5 | | V |
| Reverse Current (Vr=5V) | 10 | | μ A |
| Peak Forward Current ,tw ,=1 msec Duty ,=1/20 | 150 | | mA |
| Operation Temperature | -40 | +80 | °C |
| Storage Temperature | -40 | +100 | °C |
| Solder Dip (5 seconds,1.6mm from body) Temperature | 300 | \pm 5 | °C |

Feature:

- 1.Small flange without stand-off
- 2.Long life-solid state reliability
- 3.Long lead length(25.4mm)
- 4.Versatile mounting on P.C. board or panel

Description:

- 1.The shape of this series is round
- 2.General application is for indication,illumination,etc.
- 3.These LED lamps are available with a choice of defferent colors,light intensities,epoxy colors,etc.

| Part Number | EMITTED COLOR | | Lens Color | Peak Wavelength (nm) | Vf (v) Typ. | IV (If=20mA) mcd | | View Angle 2 θ 1/2 |
|--------------|---------------|--------|--------------------|----------------------|-------------|------------------|------|---------------------------|
| | | | | | | Min. | Typ. | |
| MCD-8003GD | GaP | Green | Green Diffused | 565 | 2.1 | 5 | 15 | 60° |
| MCD-8003YD | GaAsP | Yellow | Yellow Diffused | 590 | 2.1 | 5 | 15 | 60° |
| MCD-8003ED | GaAsP/Gap | Orange | Red Diffused | 625 | 2.0 | 8 | 20 | 60° |
| MCD-8003ED-E | GaAsP/Gap | Orange | Orange Diffused | 635 | 2.0 | 8 | 20 | 60° |
| MCD-8003GT | Gap | Green | Green Transparent | 565 | 2.1 | 10 | 30 | 20° |
| MCD-8003YT | GaAsP | Yellow | Yellow Transparent | 590 | 2.1 | 10 | 30 | 20° |
| MCD-8003ET | GaAsP/Gap | Orange | Red Transparent | 635 | 2.0 | 25 | 60 | 20° |
| MCD-8003ET-E | GaAsP/Gap | Orange | Orange Transparent | 635 | 2.0 | 25 | 60 | 20° |