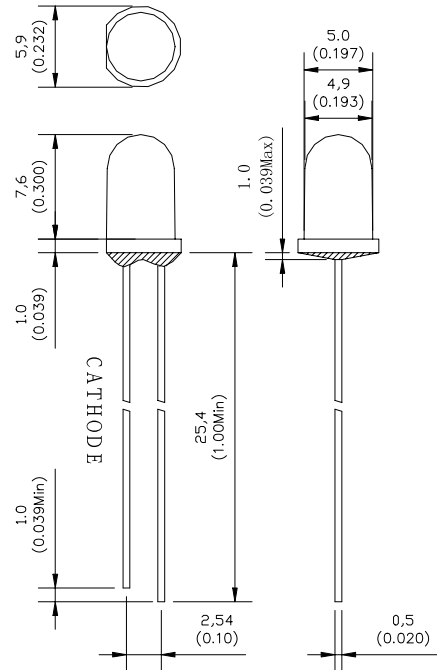




## MCD-5013xx (Φ 5mm ROUND TYPE) Ultra Brightness

ABSOLUTE MAXIMUM RATING:(Ta=25°C)

| Parameter  |     |      | Unit |
|--|-----|------|------|
| DC Forward Current                                     | 30  |      | mA   |
| Reverse Voltage  | 5   |      | V    |
| Reverse Current (Vr=5V)                                | 10  |      | μA   |
| Peak Forward Current ,tw ,=1 msec Duty ,=1/20          | 150 |      | mA   |
| Operation Temperature                                  | -40 | +80  | °C   |
| Storage Temperature                                    | -40 | +100 | °C   |
| Solder Dip Temperature<br>(5 seconds,1.6mm from body ) | 300 | ±5   | °C   |



| Part Number   | EMITTED COLOR |                    | Lens Color      | Peak Wavelength (nm) | Vf (v) Typ. | IV (If=20mA) mcd |       | View Angle 2 θ 1/2 |
|---------------|---------------|--------------------|-----------------|----------------------|-------------|------------------|-------|--------------------|
|               |               |                    |                 |                      |             | Min.             | Typ.  |                    |
| MCD-5013SRD   | GaAlAs        | Super Red          | Red Diffused    | 660                  | 1.9         | 90               | 120   | 40°                |
| MCD-5013SRT   | GaAlAs        | Super Red          | Red Transparent | 660                  | 1.9         | 400              | 600   | 18°                |
| MCD-5013SRC   | GaAlAs        | Super Red          | Water Clear     | 660                  | 1.9         | 350              | 400   | 23°                |
| MCD-5013LRC   | GaAlAs        | Super Red          | Water Clear     | 660                  | 1.9         | 400              | 500   | 18°                |
| MCD-5013LRD   | GaAlAs        | Super Red          | Red Diffused    | 660                  | 1.9         | 100              | 150   | 45°                |
| MCD-5013URC   | GaAlAs        | Super Red          | Water Clear     | 660                  | 1.9         | 1100             | 1300  | 18°                |
| MCD-5013UEC   | AlGaInP       | Super Orange Red   | Water Clear     | 625                  | 2.0         | 1500             | 2000  | 18°                |
| MCD-5013GC    | GaP           | Green              | Water Clear     | 565                  | 2.0         | 400              | 600   | 18°                |
| MCD-5013UGC   | AlGaInP       | Yellow Green       | Water Clear     | 572                  | 2.0         | 1000             | 1500  | 18°                |
| MCD-5013YC    | GaAsP         | Yellow             | Water Clear     | 588                  | 2.0         | 150              | 200   | 18°                |
| MCD-5013UYC   | AlGaInP       | Super Yellow       | Water Clear     | 590                  | 2.0         | 4000             | 6000  | 12°                |
| MCD-5013BC    | InGaN         | Super Blue         | Water Clear     | 470                  | 3.5         | 1500             | 2000  | 18°                |
| MCD-5013UBC   | InGaN         | Ultra Super Blue   | Water Clear     | 470                  | 3.5         | 5000             | 6000  | 18°                |
| MCD-5013BGC   | InGaN         | Super Bluish Green | Water Clear     | 505                  | 3.5         | 5000             | 6000  | 18°                |
| MCD-5013PGC   | InGaN         | Super Pure Green   | Water Clear     | 525                  | 3.5         | 9000             | 10000 | 18°                |
| MCD-5013VC    | InGaN         | Super Violet       | Water Clear     | 400                  | 3.5         | 90               | 110   | 18°                |
| MCD-5013UEC-1 | AlGaInP       | Super Orange Red   | Water Clear     | 625                  | 2.0         | 1000             | 1200  | 18°                |
| MCD-5013UYC-1 | AlGaInP       | Super Yellow       | Water Clear     | 590                  | 2.0         | 1000             | 1200  | 18°                |
| MCD-5013PGC-1 | InGaN         | Super Pure Green   | Water Clear     | 525                  | 3.5         | 8500             | 9500  | 15°                |
| MCD-5013BC-1  | InGaN         | Super Blue         | Water Clear     | 470                  | 3.5         | 3000             | 4000  | 12°                |