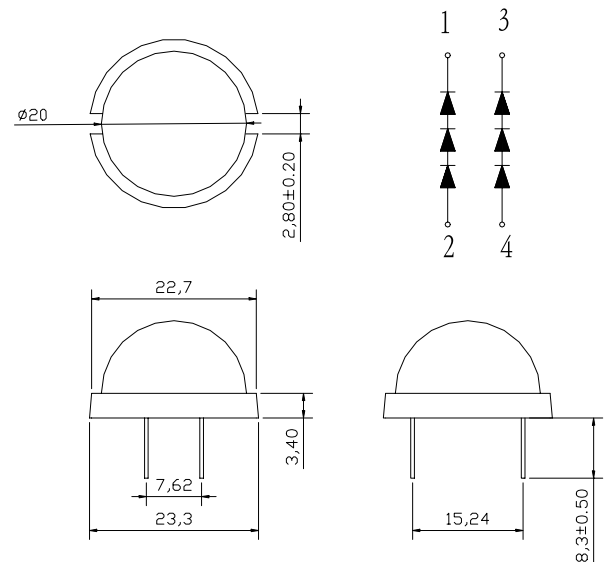




MCD-20003xx (Φ 20mm ROUND TYPE) Ultra Brightness

ABSOLUTE MAXIMUM RATING:(Ta=25°C)

Parameter			Unit
DC Forward Current	30		mA
Reverse Voltage	5		V
Reverse Current (Vr=5V)	10		μ A
Peak Forward Current ,tw ,=1 msec Duty ,=1/20	150		mA
Operation Temperature	-40	+80	°C
Storage Temperature	-40	+100	°C
Solder Dip (5 seconds,1.6mm from body) Temperature	300	\pm 5	°C



Feature:

- 1.Small flange without stand-off
- 2.Long life-solid state reliability
- 3.Versatile mounting on P.C. board or panel

Description:

- 1.The shape of this series is round
- 2.General application is for indication,illumination,etc.
- 3.These LED lamps are available with a choice of defferent colors,light intensities,epoxy colors,etc.

Part Number	EMITTED COLOR		Lens Color	Peak Wavelength (nm)	Vf (v) Typ.	IV (If=20mA) mcd		View Angle 2 θ 1/2
						Min.	Typ.	
MCD-20003SRD	GaAlAs	Super Red	Red Diffused	660	1.9	75	150	60°
MCD-20003LRD	GaAlAs	Super Red	Red Diffused	660	1.9	100	200	60°
MCD-20003UED	AlGaInP	Super Orange Red	Red Diffused	625	2.0	200	400	60°
MCD-20003UGD	AlGaInP	Yellow Green	Green Diffused	572	2.0	150	300	60°
MCD-20003UYD	AlGaInP	Super Yellow	Yellow Diffused	588	2.0	200	400	60°
MCD-20003UBD	InGaN	Super Blue	White Diffused	470	3.5	250	400	60°
MCD-20003PGD	InGaN	Super Pure Green	Green Diffused	525	3.5	500	1000	60°
MCD-20003WW	InGaN	Super White	White Diffused		3.5	500	600	60°
MCD-20003UWW	InGaN	Super White	White Diffused		3.5	800	1000	60°