
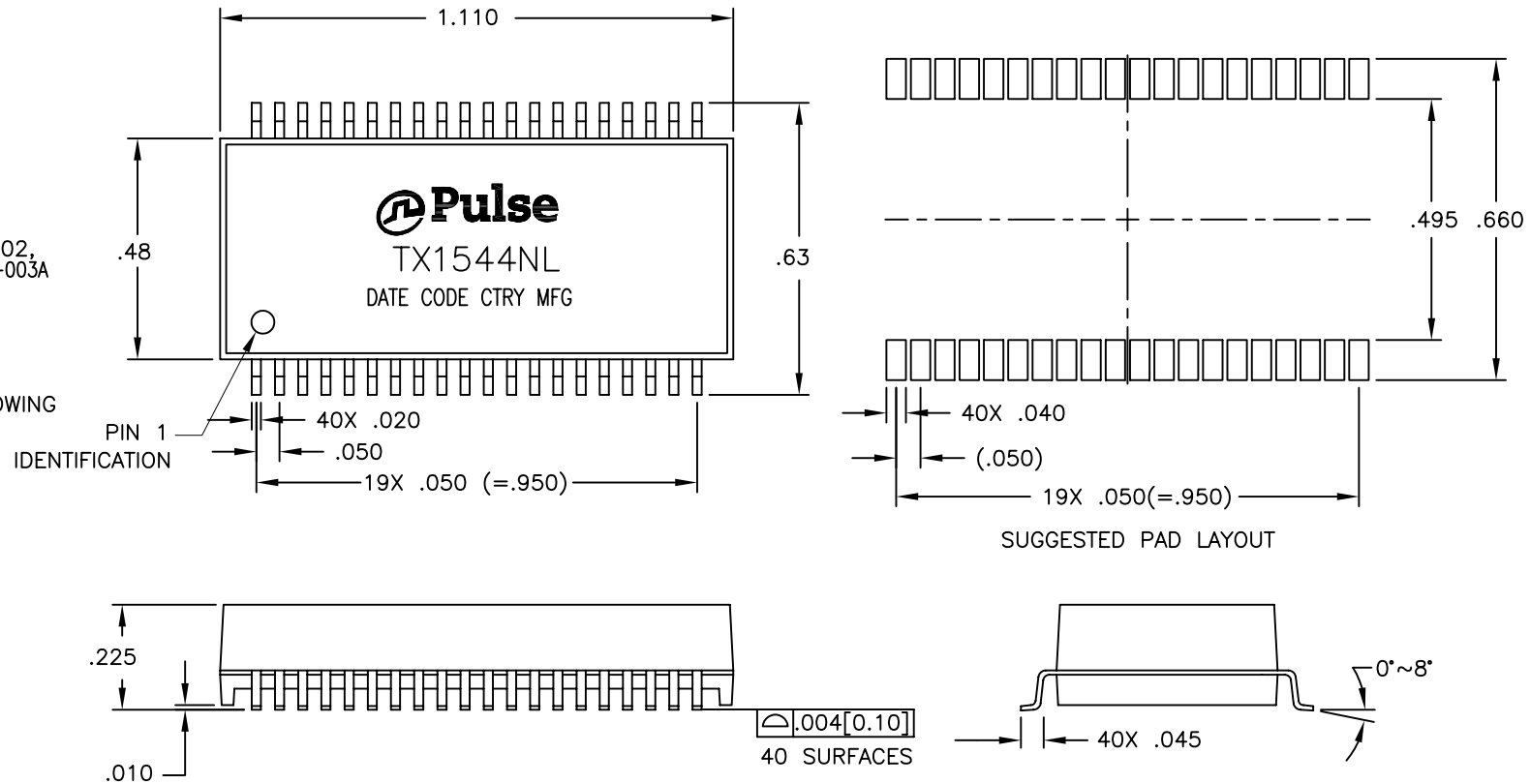


NOTES: UNLESS OTHERWISE SPECIFIED

1.

NOTICE:	THIS IS A RoHS COMPLIANT COMPONENT/PRODUCT. ALL ENGINEERING CHANGES MUST HAVE PRIOR APPROVAL BY THE DESIGN CENTER.
RoHS 	

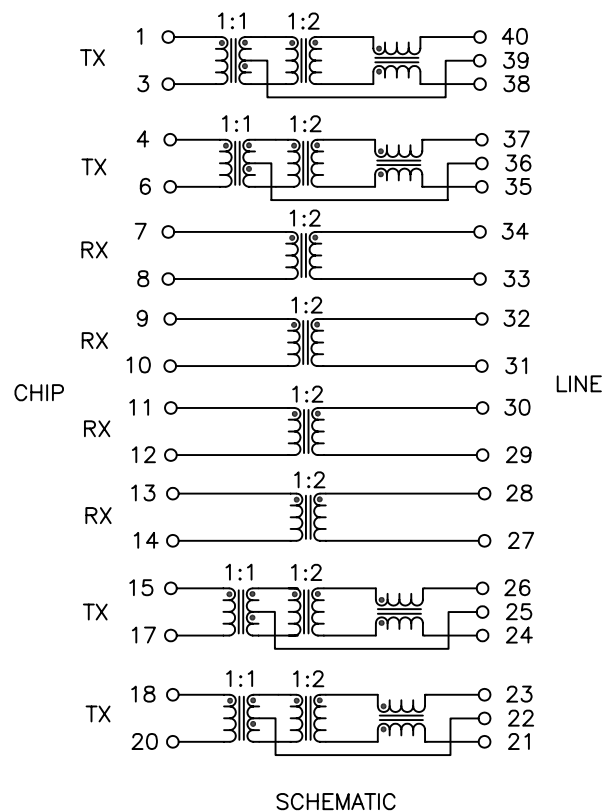
2. PLASTIC: THERMOSET PLASTIC MATERIAL WITH FLAMMABILITY RATING UL 94V-0 OR BETTER.
3. SOLDERABILITY: CONFORMS TO ANSI/J-STD-002, 245°C REFLOW PEAK TEMPERATURE PER IPC/EIA J-STD-003A
4. OPERATING TEMPERATURE: -40°C TO +85°C
5. STORAGE TEMPERATURE: -50°C TO +125°C
6. JEDEC MOISTURE: LEVEL 1.
7. DIMENSIONS ARE IN INCHES WITH THE FOLLOWING TOLERANCES:  
.XX= ±.02  
.XXX= ±.010



© Copyright, 2013. Pulse Electronics Corp. All rights reserved. Drawing specifications subject to change without notice. (08/07/13)

PULSE CONFIDENTIAL & PROPRIETARY	PRODUCT DESCRIPTION	PS DRAWING	SHEET:	DWG. NO./ PART NO.	REV.
	XFMR/CHK,OCT,T1/E1,QTERA,1:1CT:2,1:2 0H	PS-0002.002-B	1	TX1544NL	M11

ELECTRICAL CHARACTERISTICS AT +25°C



NO.	PARAMETER	SPECIFICATIONS
1	TURNS RATIO @ 100 KHZ, 0.1 VRMS	$\frac{(40-38)}{(1-3)} = \frac{(37-35)}{(4-6)} = \frac{(26-24)}{(15-17)} = \frac{(23-21)}{(18-20)} = 2.0 \pm 2\%$ $\frac{(34-33)}{(7-8)} = \frac{(32-31)}{(9-10)} = \frac{(30-29)}{(11-12)} = \frac{(28-27)}{(13-14)} = 2.0 \pm 2\%$
2	INDUCTANCE (OCL) @ 100 KHZ, 0.02 VRMS	$(1-3) = (4-6) = (15-17) = (18-20) = 0.4 \text{ mH MINIMUM}$ $(7-8) = (9-10) = (11-12) = (13-14) = 0.4 \text{ mH MINIMUM}$
3	LEAKAGE INDUCTANCE @ 100 KHZ, 0.02 VRMS	$(1-3)$ WITH $(40-38)$ SHORTED = 0.6 $\mu$ H MAXIMUM $(4-6)$ WITH $(37-35)$ SHORTED = 0.6 $\mu$ H MAXIMUM $(15-17)$ WITH $(26-24)$ SHORTED = 0.6 $\mu$ H MAXIMUM $(18-20)$ WITH $(23-21)$ SHORTED = 0.6 $\mu$ H MAXIMUM $(7-8)$ WITH $(34-33)$ SHORTED = 0.6 $\mu$ H MAXIMUM $(9-10)$ WITH $(32-31)$ SHORTED = 0.6 $\mu$ H MAXIMUM $(11-12)$ WITH $(30-29)$ SHORTED = 0.6 $\mu$ H MAXIMUM $(13-14)$ WITH $(28-27)$ SHORTED = 0.6 $\mu$ H MAXIMUM
4	CWW @ 100 KHZ, 1 VRMS	$(1-3)$ TO $(40-38)$ = 35pF MAXIMUM $(4-6)$ TO $(37-35)$ = 35pF MAXIMUM $(15-17)$ TO $(26-24)$ = 35pF MAXIMUM $(18-20)$ TO $(23-21)$ = 35pF MAXIMUM $(7-8)$ TO $(34-33)$ = 35pF MAXIMUM $(9-10)$ TO $(32-31)$ = 35pF MAXIMUM $(11-12)$ TO $(30-29)$ = 35pF MAXIMUM $(13-14)$ TO $(28-27)$ = 35pF MAXIMUM
5	DC RESISTANCE	$(40-38) = (37-35) = (26-24) = (23-21) = 1.3 \text{ OHMS MAXIMUM}$ $(34-33) = (32-31) = (30-29) = (28-27) = 1.0 \text{ OHMS MAXIMUM}$ $(1-3) = (4-6) = (15-17) = (18-20) = 0.8 \text{ OHMS MAXIMUM}$ $(7-8) = (9-10) = (11-12) = (13-14) = 0.8 \text{ OHMS MAXIMUM}$
6	HIPOT	1500 VRMS FOR 60 SECONDS

© Copyright, 2013. Pulse Electronics Corp. All rights reserved. Drawing specifications subject to change without notice. (08/07/13)

PULSE CONFIDENTIAL & PROPRIETARY	PRODUCT DESCRIPTION	PS DRAWING	SHEET:	DWG. NO./ PART NO.	REV.
	XFMR/CHK,OCT,T1/E1,QTERA,1:1CT:2,1:2 OH	PS-0002.002-B	2	TX1544NL	M11