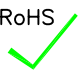
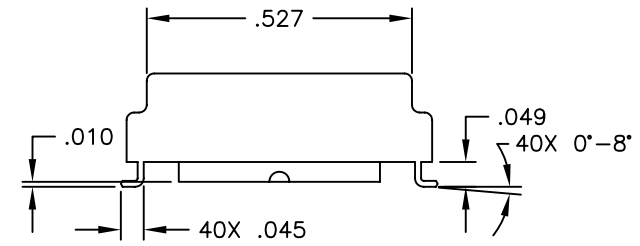
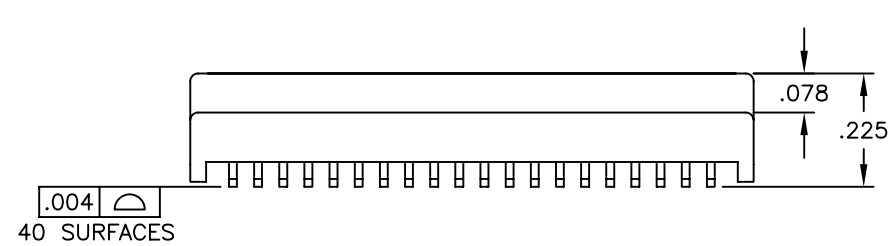
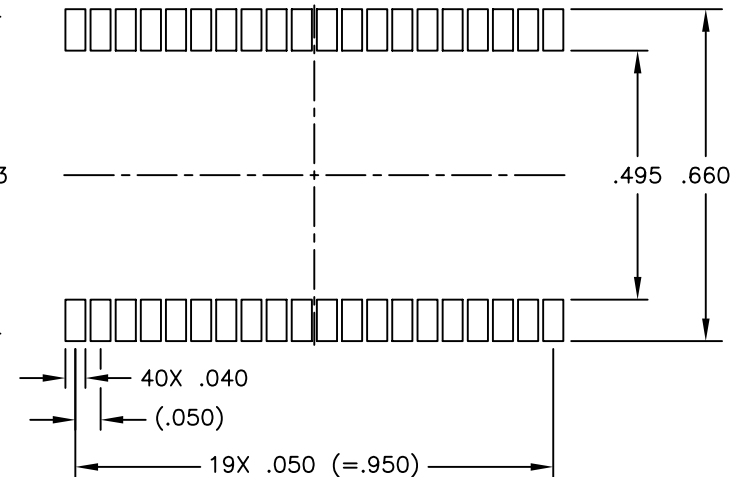
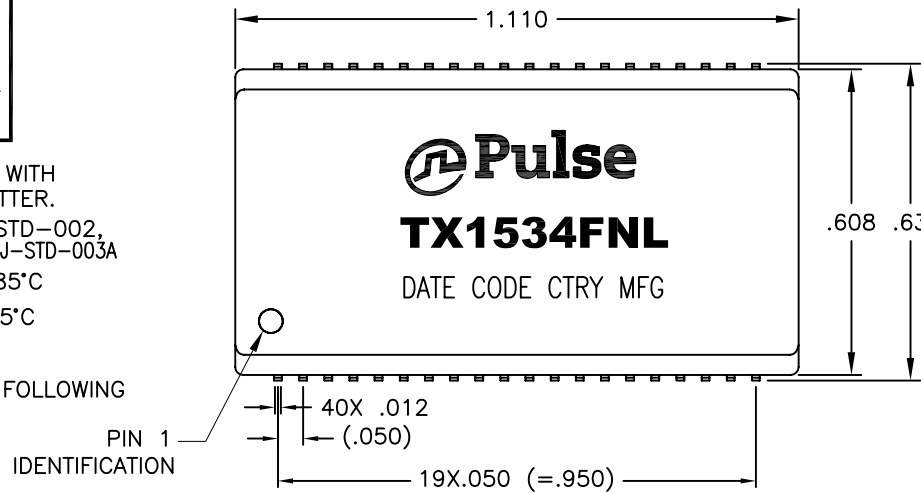


NOTES: UNLESS OTHERWISE SPECIFIED

1.

NOTICE:	THIS IS A RoHS COMPLIANT COMPONENT/PRODUCT. ALL ENGINEERING CHANGES MUST HAVE PRIOR APPROVAL BY THE DESIGN CENTER.
RoHS	

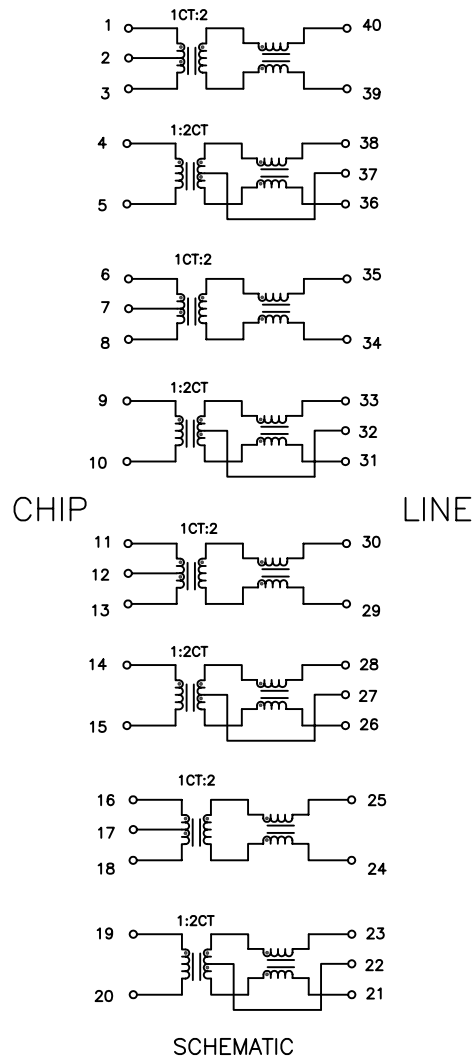
2. PLASTIC: THERMOSET PLASTIC MATERIAL WITH FLAMMABILITY RATING UL 94V-0 OR BETTER.
 3. SOLDERABILITY: CONFORMS TO ANSI/J-STD-002, 245°C REFLOW PEAK TEMPERATURE PER IPC/EIA J-STD-003A
 4. OPERATING TEMPERATURE: -40°C TO +85°C
 5. STORAGE TEMPERATURE: -50°C TO +125°C
 6. JEDEC MOISTURE: LEVEL 1.
 7. DIMENSIONS ARE IN INCHES WITH THE FOLLOWING TOLERANCES:
 .XX= ±.02
 .XXX= ±.010
 8. REVISION: MP1,MP2, ARE PRELIMINARY.



© Copyright, 2013. Pulse Electronics Corp. All rights reserved. Drawing specifications subject to change without notice. (08/07/13)

PULSE CONFIDENTIAL & PROPRIETARY	PRODUCT DESCRIPTION	PS DRAWING	SHEET:	DWG. NO./ PART NO.	REV.
	XFMR/CHK,OCT,T1,QTERA,1CT:2,1:2CT 0H	PS-2743.001-A	1	TX1534FNL	MP1

ELECTRICAL CHARACTERISTICS AT +25°C



No.	PARAMETER	SPECIFICATION
1	TURNS RATIO: @10KHz, 0.1VRMS:	$\frac{(40-39)}{(1-3)} = \frac{(35-34)}{(6-8)} = \frac{(30-29)}{(11-13)} = \frac{(25-24)}{(16-18)} = 2.0 \pm 2\%$ $\frac{(38-36)}{(4-5)} = \frac{(33-31)}{(9-10)} = \frac{(28-26)}{(14-15)} = \frac{(23-21)}{(19-20)} = 2.0 \pm 2\%$ $\frac{(1-2)}{(2-3)} = \frac{(6-7)}{(7-8)} = \frac{(11-12)}{(12-13)} = \frac{(16-17)}{(17-18)} = 1.0 \pm 2\%$ $\frac{(38-37)}{(37-36)} = \frac{(33-32)}{(32-31)} = \frac{(28-27)}{(27-26)} = \frac{(23-22)}{(22-21)} = 1.0 \pm 2\%$
2	INDUCTANCE (OCL): @100KHz, 0.02VRMS	$(40-39)=(35-34)=(30-29)=(25-24) = 1.2 \text{ mH MINIMUM}$ $(38-36)=(33-31)=(28-26)=(23-21) = 1.2 \text{ mH MINIMUM}$
3	LEAKAGE INDUCTANCE (LL) @100 KHz, 0.02 VRMS	$(1-3)$ WITH $(40-39)$ SHORTED = 0.7 uH MAXIMUM $(4-5)$ WITH $(38-36)$ SHORTED = 0.7 uH MAXIMUM $(6-8)$ WITH $(35-34)$ SHORTED = 0.7 uH MAXIMUM $(9-10)$ WITH $(33-31)$ SHORTED = 0.7 uH MAXIMUM $(11-13)$ WITH $(30-29)$ SHORTED = 0.7 uH MAXIMUM $(14-15)$ WITH $(28-26)$ SHORTED = 0.7 uH MAXIMUM $(16-18)$ WITH $(25-24)$ SHORTED = 0.7 uH MAXIMUM $(19-20)$ WITH $(23-21)$ SHORTED = 0.7 uH MAXIMUM
4	CWW @ 100 KHz, 1.0 VRMS	$(1-3)$ TO $(40-39) = 35 \text{ pF MAXIMUM}$ $(4-5)$ TO $(38-36) = 35 \text{ pF MAXIMUM}$ $(6-8)$ TO $(35-34) = 35 \text{ pF MAXIMUM}$ $(9-10)$ TO $(33-31) = 35 \text{ pF MAXIMUM}$ $(11-13)$ TO $(30-29) = 35 \text{ pF MAXIMUM}$ $(14-15)$ TO $(28-26) = 35 \text{ pF MAXIMUM}$ $(16-18)$ TO $(25-24) = 35 \text{ pF MAXIMUM}$ $(19-20)$ TO $(23-21) = 35 \text{ pF MAXIMUM}$
5	DCR	$(1-3) = (4-5) = (6-8) = (9-10) = 0.8 \text{ OHMS MAXIMUM}$ $(11-13) = (14-15) = (16-18) = (19-20) = 0.8 \text{ OHMS MAXIMUM}$ $(40-39) = (38-36) = (35-34) = (33-31) = 1.2 \text{ OHMS MAXIMUM}$ $(30-29) = (28-26) = (25-24) = (23-21) = 1.2 \text{ OHMS MAXIMUM}$
6	HIPOT (Pri TO Sec)	1500 VRMS FOR 60 SECONDS