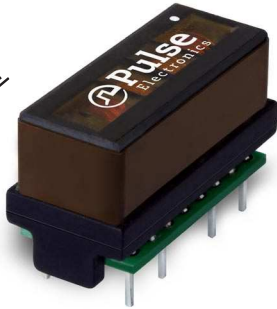
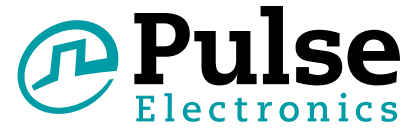


XDSL SPLITTER FILTER MODULE

B8891DVNL SmartER series



- ⚡ POTS CO Splitter for China YD/T 1187-2006 ADSL2+ and VDSL2 600ohm applications
- ⚡ LPF matched to 600ohm impedance
- ⚡ Dual version of B8891NL for high density applications – 40% space saving
- ⚡ Compliant with Broadband Forum TR-127 standard for ADSL2+ and VDSL2 applications
- ⚡ Patented technology US7598837, US7598839, CN1667763, EP1644943, TWI316724, CA2531599

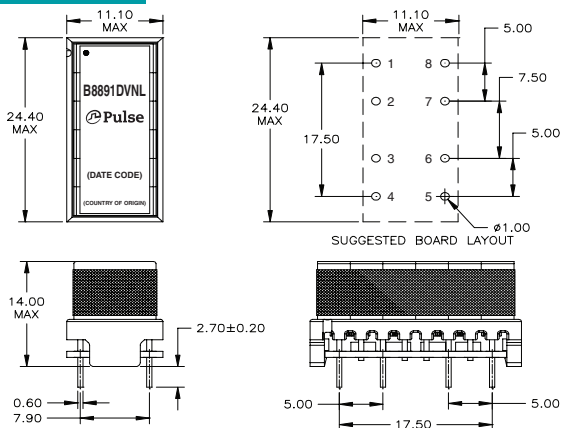
Electrical Specifications @ 25°C

PARAMETER	FREQUENCY	
POTS Impedance	200Hz to 4kHz	600Ω
POTS Insertion Loss	@ 1kHz	0.3dB MAX
POTS Insertion Loss Distortion relative to 1kHz	200Hz to 4kHz	0.3dB MAX
POTS Return Loss	300Hz to 500Hz / 2kHz-3.4kHz	14dB MIN
	500Hz to 2kHz	18dB MIN
POTS Group Delay	200Hz to 3.4kHz	150μs MAX (Typical 65 μs)
Longitudinal Balance	50Hz to 600Hz/3.4kHz to 30kHz	40dB MIN
	600Hz to 3.4kHz/30kHz to 1.1MHz	46dB MIN
xDSL Attenuation	30kHz to 138kHz	45dB MIN
	138kHz to 17MHz	55dB MIN
Tip to Ring Capacitance		20nF MIN 115nF MAX
Tip to Ring Insulation Resistance		5MΩ MIN
DC Current		100mA MAX
Total DC Resistance		25Ω MAX

Mechanicals

Schematics

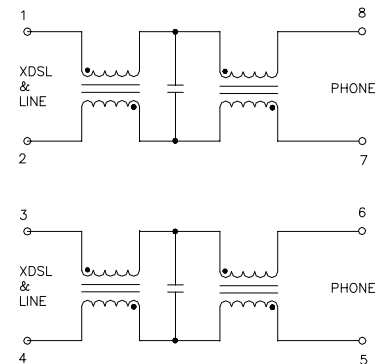
B8891DVNL



Weight 10 grams
Tray 30/tray

Dimensions: $\frac{\text{Inches}}{\text{mm}}$

Unless otherwise specified, all tolerances are $\pm \frac{.010}{0,25}$



For More Information

Pulse Worldwide Headquarters

12220 World Trade Dr.
San Diego, CA 92128
U.S.A.

Tel: 858 674 8100
Fax: 858 674 8262

Pulse Europe

Einsteinstrasse 1
D-71083 Herrenberg
Germany

Tel: 49 7032 7806 0
Fax: 49 7032 7806 135

Pulse China Headquarters

B402, Shenzhen Academy of
Aerospace Technology Bldg.
10th Kejinan Road
High-Tech Zone
Nanshan District
Shenzhen, PR China 518057

Tel: 86 755 33966678
Fax: 86 755 33966700

Pulse North China

Room 2704/2705
Super Ocean Finance Ctr.
2067 Yan An Road West
Shanghai 200336
China

Tel: 86 21 62787060
Fax: 86 2162786973

Pulse South Asia

135 Joo Seng Road
#03-02
PM Industrial Bldg.
Singapore 368363

Tel: 65 6287 8998
Fax: 65 6287 8998

Pulse North Asia

3F, No. 198
Zhongyuan Road
Zhongli City
Taoyuan County 320
Taiwan R. O. C.
Tel: 886 3 4356768
Fax: 886 3 4356823 (Pulse)
Fax: 886 3 4356820 (FRE)

Performance warranty of products offered on this data sheet is limited to the parameters specified. Data is subject to change without notice. Other brand and product names mentioned herein may be trademarks or registered trademarks of their respective owners. © Copyright, 2011. Pulse Electronics, Inc. All rights reserved.