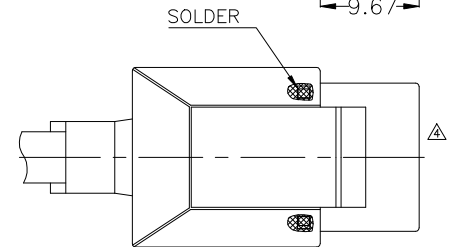
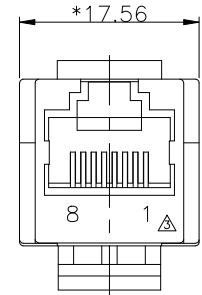
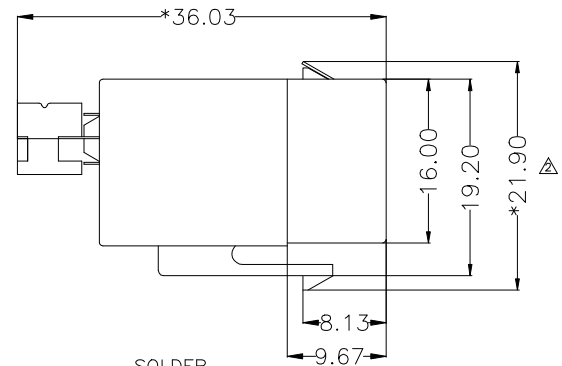
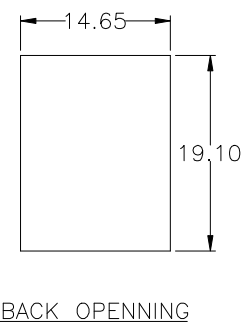
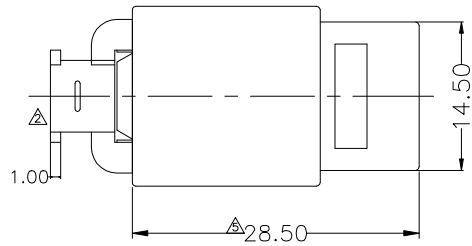
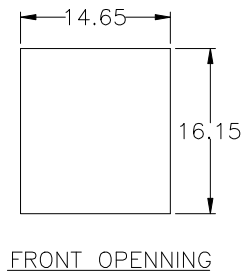


REVISION RECORD				
REV	ECO	DESCRIPTION	DRFT	CHKD
1		ADD PART NO.	Garvey 9/16/00*	
2		DIMISION MODIFY	zing 07/08/'01	
3		DRAWING MODIFY	LWL 11/26/'02	
4		ADD PART NO.	CHI 05/05/03	
5		DRAWING MODIFY	COKE 10/27/03	
6		ADD PART NO.	CECILIA 3/03/04*	



IDC Connect Modular Jack

These jacks are available in two versions to meet either shielded or unshielded application requirements on twisted pair cable. They are also available in the two most commonly used wiring schemes.

They are perfectly design to use with wallplates, faceplates and patch panels.

NOTE:

1. PART NUMBER: E6188-X1X025

- 1- T568A
- 2- T568B

- 1- AWG # 22
- 2- AWG # 24
- 3- AWG # 26With Strand Wire
- 4- AWG # 30

- E6188-X1X025-L WITH NO LEAD
- 1- T568A
 - 2- T568B
 - 1- AWG # 22
 - 2- AWG # 24
 - 3- AWG # 26With Strand Wire
 - 4- AWG # 30

MM (INCH) TOLERANCES EXCEPT AS NOTED		DFTO JAME DATE 01/06/98 CHKD ZY DATE 2004/3/3 MFO DATE APPVL SHY DATE 2004/3/3	FULL RISE ELECTRONIC CO., LTD	
MM .0 ±0.20 ± .00 ±0.15 ± .000 ±0.075 ±	ANGLES ±	MATERIAL : FINISH : SCALE : 2:1	TITLE FULLY SHIELDED CAT.5 KEYSTONE JACK DRAWING NO. GE613001 SIZE A3 REV 6 /PART NO. SEE NOTE 3/03/04*	
DETACHED LISTS THIRD ANGLE PROJECTION			DO NOT SCALE DRAWING SHEET X OF Y	