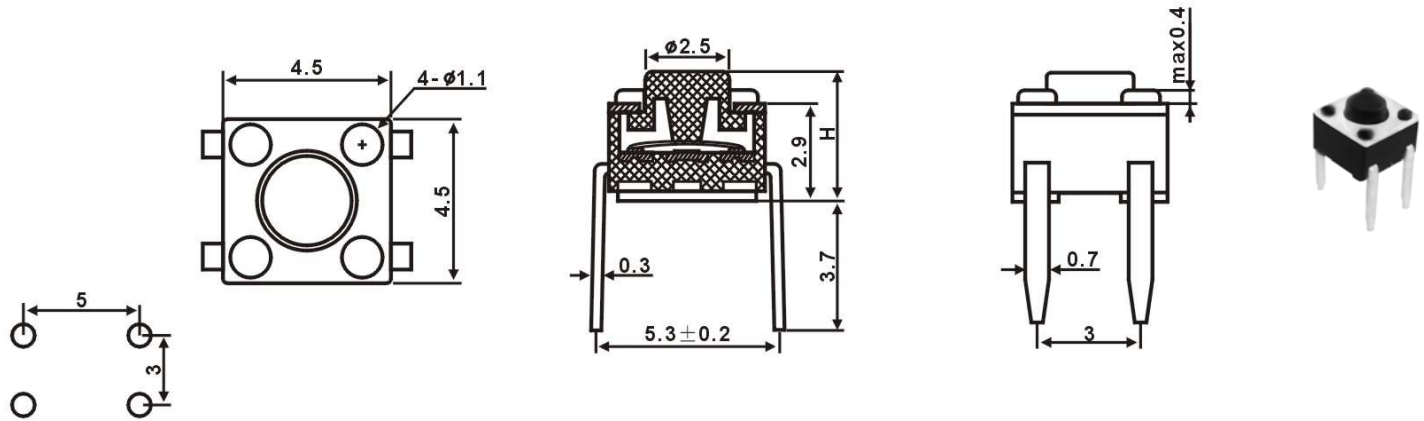


TSS-TC-1102



| MODEL NO | H (mm) |
|-------------|-----------------------|
| TSS-TC-1102 | 4.3 (Discontinued) |
| TSS-TC-1103 | 5 |
| TSS-TC-1104 | 7 |

| CODE | OPERATING FORCE(gf) |
|------|---------------------|
| T | 100±30 |
| V | 130±30 |
| X | 160±50 |
| W | 170±50 |
| Y | 190±50 |
| Z | 250±100 |
| N | 350±100 |

SPECIFICATIONS

1. RATING:DC 12V 50mA
2. TRAVEL:0.25±0.1mm
3. CONTACT RESISTANCE 100mΩ MAX
4. LIFE: normal 50,000~100,000 times
(over 100,000 times on request)

**We also can supply H: 3.8mm, 6mm, please send us your inquiry by e-mail and remark what stem length you need.

Note: Specification are subject to change without notice. For more detail and update, please visit our website.

Suntan® Technology Company Limited Website: www.suntan.com.hk Email: info@suntan.com.hk Tel: (852) 8202 8782 Fax: (852) 8208 6246