

# Trimmer Potentiometer-8mm Ceramic

Suntan®

DISCONTINUED

# TSR-855

## 玻璃釉微調電位器

- 8mm Round/ Single-Turn/ Cermet Industrial/ Open Frame
- Cross slot adjustment options
- Horizontal and vertical mounting styles
- Dust resistant/ splash resistant covers
- PC board stand-offs and retention feature
- Front and top adjust styles

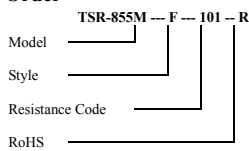


| Electrical Characteristics |   |
|----------------------------|---|
| Standard Resistance Range  | 100Ω to 1meg ohm<br>(see standard resistance table) |
| Resistance Tolerance       | ±20% (TK±25%)                                       |
| Adjustment Angle           | 280°C ± 15°C  |
| Residual Resistance        | ≤500Ω, 10Ω>500Ω, 2%<br>(TK≤1KΩ, 2KΩ>1KΩ, 5%)        |

| Environmental Characteristics |   |
|-------------------------------|---|
| Power Rating Max              | 250V (TK0.1Watt)  |
| Working Voltage               | 0.3Watt (TK0.2Watt)   |
| 70°C                          | -30°C to +100°C<br>(TK -25°C to +100°C)   |
| Temperature Range             | ±250ppm/°C<br>(TK±1000 ppm/°C)  |
| Temperature Coefficient       | ±10% (TK±15%)   |
| Rotational Life               | 1000 hours 0.3Watt 70°C ±5%<br>(TK 500 hours 0.2Watt 70°C<br>≤100KΩ, +7%>100KΩ, ±10%) |
| Load Life                     |   |

| Physical Characteristics         |                                     |
|----------------------------------|-------------------------------------|
| Torque (Operating)               | 50-350gf. Cm                        |
| Stop Strength                    | 0.8kgf. cm                          |
| Soldering Conditions             | 240°C to 260°C And within 3 seconds |
| Marking                          | Resistance Code                     |
| Standard Packing                 | 500 PCS Per bag                     |
| Aqueous cleaning not recommended |                                     |

### How to Order

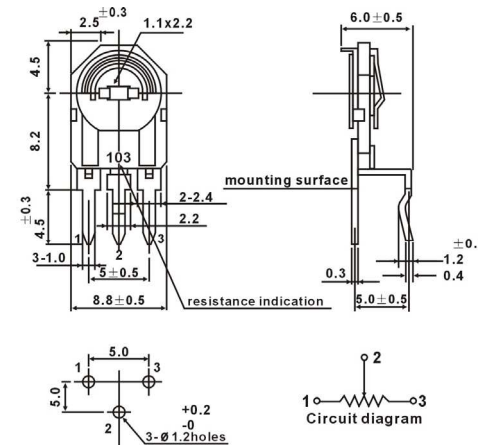


### Standard Resistance table

| Resistance(Ohms) | Resistance Code |
|------------------|-----------------|
| 100              | 101             |
| 200              | 201             |
| 300              | 301             |
| 500              | 501             |
| 1,000            | 102             |
| 10,000           | 103             |
| 100,000          | 104             |
| 1,000,000        | 105             |

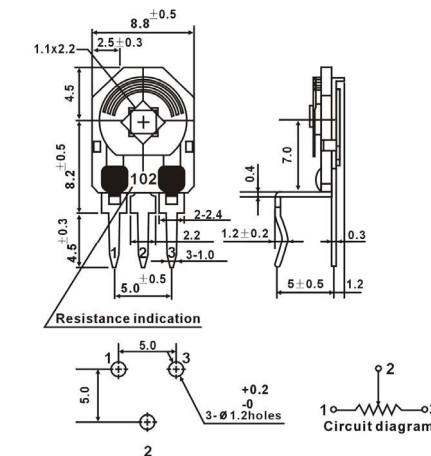
| Cover Style | L  | D    |     |
|-------------|----|------|-----|
| Q           | N1 | 4.2  | 8.8 |
|             | N2 | 6.7  | 5.0 |
|             | N4 | 12.7 | 5.0 |
| G           | K2 | 5.7  | 6.0 |
|             | K3 | 9.7  | 6.0 |
|             | K5 | 15   | 6.0 |

### TSR-855M-F



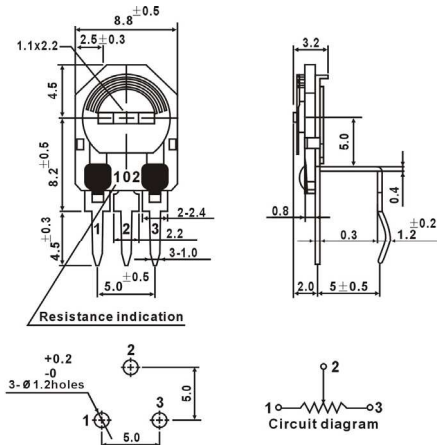
MOUNTING DETAIL TOLERANCE ±0.1

### TSR-855S-F



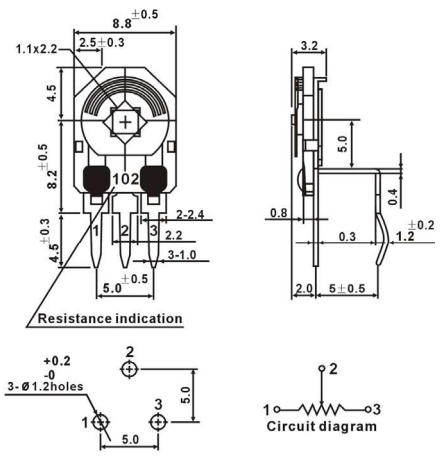
MOUNTING DETAIL TOLERANCE ±0.1

### TSR-855M-R



MOUNTING DETAIL TOLERANCE ±0.1

### TSR-855S-R



MOUNTING DETAIL TOLERANCE ±0.1

Note: Specification are subject to change without notice. For more detail and update, please visit our website.