

TSR-3590

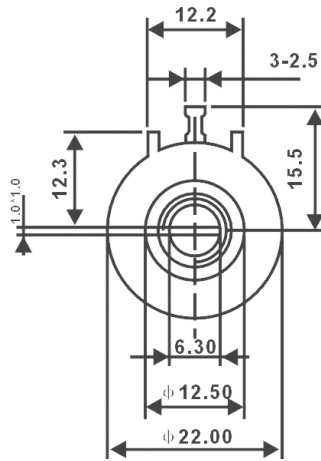
精密多圈繞電位器

- 多圈的/圓形/繞繞/面板式
(Multiturn/ Round/ Wirewound)
- 2種轉軸的樣式
(2 Shaft Styles)

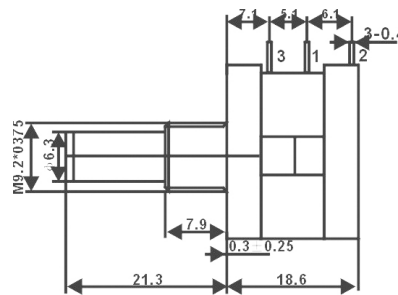


電氣特性 Electrical Characteristics	
標稱阻值範圍 Standard Resistance Range	1KΩ - 100KΩ
阻值允許偏差 Resistance Tolerance	±5%
獨立綫性度 Independent Linearity	±0.5%
有效電行程 Effective Electrical Travel	≥3600° ± 10°
終端電阻 Terminal Resistance	≤0.2% 或 5Ω
轉動噪音 Noise	≤3% R 或 5Ω
絕緣電阻 Insulation Resistance	R _i ≥ 1GΩ
耐電壓 Withstand Voltage	101.3kPa710V, 8.5kPa470V

共有尺寸 Common Dimensions

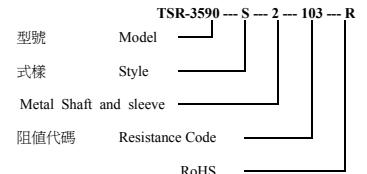


環境特性 Environmental Characteristics	
額定功率 Power Rating (500volts max)	0.5W@+70°C, 0W@+125°C
工作溫度範圍 Temperature Range	-55°C ~ +125°C
電阻溫度係數 Temperature Coefficient	±100ppm/°C
溫度變化 Temperature Variation	ΔR ≤ ±2%R, Δ(Uab/Uac) ≤ ±1%
碰撞 Collision	390m/s ² , 4000cycles, R _i ≤ 1%R
振動 Vibration	10-500Hz, 0.75mm, 或 98m/s ² , 6h ΔR ≤ ±1%R, Δ(Uab/Uac) ≤ ±2%
氣候順序 Climate Category	ΔR ≤ ±3%R, R _i ≥ 100MΩ
70°C 電氣久性 Electrical Endurance at 70°C	2W, 1000h, ΔR ≤ ±3%R
機械耐久性 Mechanical Endurance	10000 周 (cycles), ΔR ≤ ±3%R
穩態溫熱 Steady damp-heat	ΔR ≤ ±3%R, R _i ≥ 100MΩ

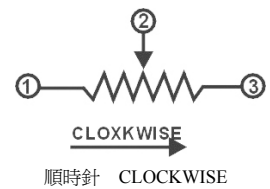


物理特性 Physical Characteristics	
總機械行程 Total Mechanical Travel	≥3600° ± 10°
起動力程 Starting Torque	≤36mN·m
離合器力矩 Clutch Torque	≥300mN·m
標準包裝 Standard Packaging	10 只/盒 (pcs/box) 20 只/盒 (pcs/box)

訂購指南 How to Order



電刷 WIPER 2(d)



圖中公差：除注明外均為±0.25
Tolerance is ±0.25 if no identification

阻值代碼表 Standard Resistance table

Resistance(Ohms)	Resistance Code
1,000	102
2,000	202
5,000	502
10,000	103
20,000	203
50,000	503
100,000	104

可按用戶要求提供特殊規格
Special resistances available.

Note: Specification are subject to change without notice. For more detail and update, please visit our website.