

# TSC6

## (S, R) SERIES

### FEATURES

As well as applications to small sized electronic apparatus, this series is designed for easy handling and is available with a variety of adjustment method (top, buttome, side and double sides).

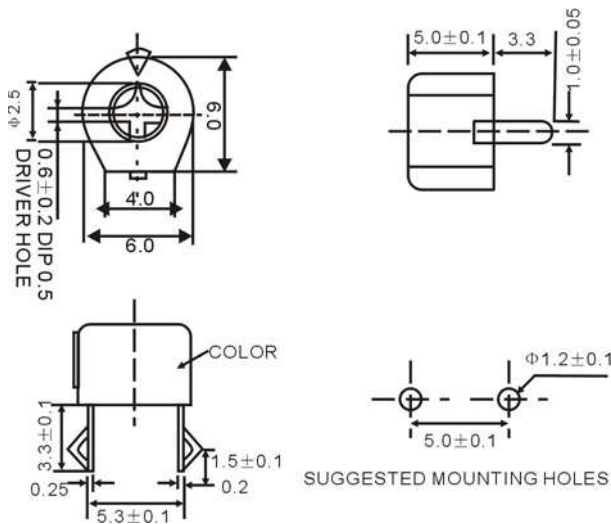
- Wide mounting sizes and types of adjustment available
- Lots of capacity ranges, 2pF through 90pF
- Sturdy mechanical structure againes vibration or shock

### SPECIFICATIONS

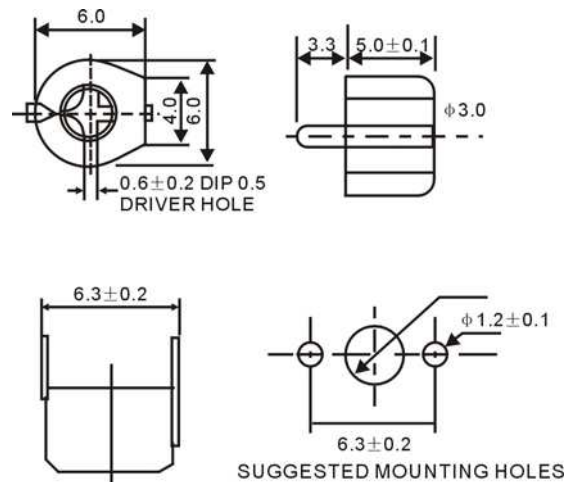
INSULATION RESISTANCE	10 MΩ at 250VDC
WITHSTAND VOLTAGE	400VDC
WORKING VOLTAGE	200VDC
ROTATION TORQUE	30 to 200 gr-cm
OPERATING TEMPERATURE	-30°C to +85°C



#### • STRAIGHT TYPE



#### • REARADJUSTING TYPE



UNIT:MM

PART NO.	MIN. CAP. (PF)	MAX. CAP. (PF)	TEMP. COEFF. PPM/°C	Q FACTOR @ 1MHz Cmax	COLOR
TSC (S,R)06-050	2.0±50%	5 <sup>+100</sup> <sub>-0</sub> %	NPO ± 200	>500	BLUE
TSC (S,R)06-100	3.0±50%	10 <sup>+100</sup> <sub>-0</sub> %	N450 ± 300	>500	WHITE
TSC (S,R)06-200	4.2±50%	20 <sup>+100</sup> <sub>-0</sub> %	N450 ± 300	>500	RED
TSC (S,R)06-300	6.2±50%	30 <sup>+100</sup> <sub>-0</sub> %	N750 ± 500	>500	GREEN
TSC (S,R)06-400	6.8±50%	40 <sup>+100</sup> <sub>-0</sub> %	N1200 ± 500	>300	YELLOW
TSC (S,R)06-500	9.8±50%	50 <sup>+100</sup> <sub>-0</sub> %	N1200 ± 500	>300	BROWN
TSC (S,R)06-600	12±50%	60 <sup>+100</sup> <sub>-0</sub> %	N1200 ± 500	>200	BROWN

Note: Specification are subject to change without notice. For more detail and update, please visit our website.