

ALUMINUM ELECTROLYTIC CAPACITOR

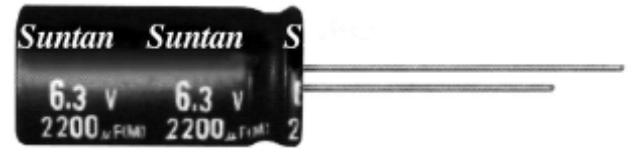
Suntan®

LOW LEAKAGE CURRENT

TS13D CD117

FEATURES

- Load life of 1000 hours at 85°C
- Low Leakage Current
- Close Tolerance and low cost

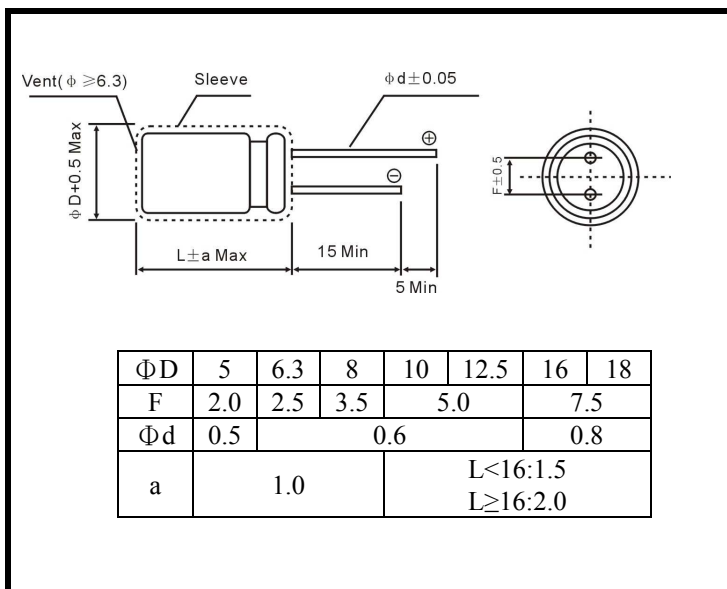


◆ Specifications

ITEMS		PERFORMANCE CHARACTERISTICS					
Operating Temperature Range(°C)		-40~+85					
Capacitance Tolerance(25°C, 120Hz)		±20% or ±10%					
Leakage Current(μA)		0.006CV or 0.5 whichever is greater. (1 minute, at 25°C) 0.002CV or 0.3 whichever is greater. (2 minutes, at 25°C) C: Nominal Capacitance (μF) V: Rated Voltage (V)					
Dissipation Factor(25°C, 120Hz)	Rated Voltage (V)	6.3	10	16	25	35	50
	Tan δ	≥1 μF	0.20	0.17	0.13	0.10	0.10
	<1 μF	0.06					
Temperature Stability (120Hz)	Rated Voltage (V)	6.3	10	16	25	35	50
	Impedance	Z-25°C/Z+20°C	4	3	2		
	Ratio	Z-40°C/Z+20°C	8	6	4	3	
Load Life (+85°C)	Time	1000hours					
	Leakage Current	Not more than the specified value.					
	Capacitance Change	Within±15% of the initial value					
	Dissipation Factor	Not more than 200% of the specified value.					
Shelf Life (+85°C)		500 hours. No voltage applied. After test:U _R to be applied for 30 minutes, 24 to 48 hours before measurement.					

◆ Dimensions

mm



◆ Multiplier for ripple current

Frequency coefficient							
Rated Voltage	Freq(Hz)		50.60	120	1K	10K	100K
	CV(μF.wv)						
6.3~100	---		0.8	1	1.1	1.2	1.2
	16~25	≤1000	0.8	1	1.5	1.7	1.7
		>1000	0.8	1	1.2	1.3	1.3
35~50	---		0.8	1	1.6	1.9	1.9

Temperature coefficient		
Temperature (°C)	+70	+85
Factor	1.35	1

TS13D CD117

◆ STANDARD RATINGS

WV (V) / Cap (μF)	6.3		10		16		25		35		50	
	Size	Ripple	Size	Ripple	Size	Ripple	Size	Ripple	Size	Ripple	Size	Ripple
	□DxL (mm)	mAms	□DxL (mm)	mAms	□DxL (mm)	mAms	□DxL (mm)	mAms	□DxL (mm)	mAms	□DxL (mm)	mAms
0.47	--	--	--	--	--	--	--	--	--	--	5x11	14
1	--	--	--	--	--	--	--	--	--	--	5x11	20
2.2	--	--	--	--	--	--	--	--	--	--	5x11	26
3.3	--	--	--	--	--	--	--	--	--	--	5x11	32
4.7	--	--	--	--	--	--	5x11	34	5x11	34	6.3x11	43
10	--	--	--	--	5x11	43	6.3x11	57	6.3x11	57	8x11.5	75
22	--	--	5x11	56	6.3x11	74	8x11.5	99	8x11.5	99	10x12.5	131
33	--	--	6.3x11	79	6.3x11	90	8x11.5	121	10x12.5	144	10x16	176
47	--	--	6.3x11	94	8x11.5	127	10x12.5	172	10x12.5	172	10x16	210
100	--	--	8x11.5	160	10x12.5	220	10x16	270	10x20	300	12.5x20	380
220	10x12.5	260	10x16	310	10x20	390	12.5x20	510	12.5x25	550	16x25	720
330	10x16	350	10x20	420	12.5x20	550	12.5x25	680	16x25	790	16x31.5	970
470	10x20	460	12.5x20	570	12.5x20	650	16x25	940	16x25	940	16x35.5	1210
1000	12.5x25	840	12.5x25	910	16x25	1210	16x35.5	1580	18x35.5	1690	--	--
2200	16x25	1440	16x31.5	1710	18x35.5	2200	--	--	--	--	--	--

Ripple Current : 85°C, 120Hz

Note: Specification are subject to change without notice. For more detail and update, please visit our website.