

## VRLA Rechargeable Battery

# BP13-6 H (BP13-6FR H)



### FEATURES

- Maintenance free(no water topping-up required).
- No free acid(Non-spillable battery).
- Low self-discharge rate, lower than 3% capacity loss per month.
- Can be used in any orientation(excluding used inverted).
- Absorbent Glass Mat technology for efficient gas recombination.

### APPLICATION

- UPS
- Electronic Toy-Cars
- Emergency Lights
- Rechargeable Flash Lights
- Fans



### SPECIFICATIONS

Nominal Voltage	6 V
Nominal Capacity	13.0Ah @ 20 hour rate F.V.(1.75V/cell)
Approx. Weight	2500g(5.51lbs.)
Terminals	Type H
Internal Resistance	≤9mΩ (Fully Charged )
Max. Discharge Current	30 A (5 sec.)
Max. Charge Current	3.9 A
Operating Temperature Range	Charge : 0°C~40°C(32°F~104°F) Discharge : -20°C~50°C(-4°F~122°F) Storage. : -20°C~40°C(-4°F~104°F)
Container Material	ABS(UL94-HB, UL94-V0 is optional)

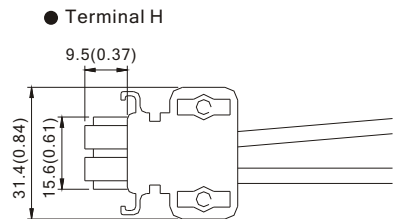
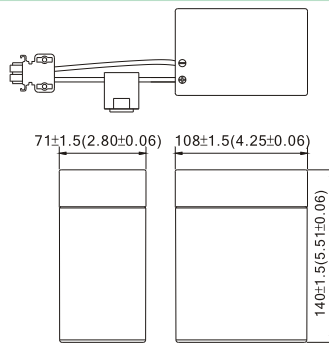
ISO 9001	
ISO14001	
UL	 MH19884
CE	 C4M20310-2474-E-16
<ul style="list-style-type: none"> <li>● IEC 61056-1</li> <li>● JIS C 8702-1</li> <li>● GB/T 19639.1</li> </ul>	

### DIMENSION(mm/inch)

### OUTER DIMENSIONS

### TERMINAL TYPE

- **Length**  
108±1.5 (4.25±0.06)
- **Width**  
71±1.5 (2.80±0.06)
- **Container Height**  
140±1.5 (5.51±0.06)
- **Total Height**  
140±1.5 (5.51±0.06)



### Constant power discharge characteristics at 25 °C/77 °F Unit: W

F.V. (V/cell) \ Discharge Time	15 Min	30 Min	1 Hr	3 Hr	5 Hr	10 Hr	20 Hr
1.80V	138.6	82.5	47.3	18.9	13.06	7.30	3.84
1.75V	145.0	85.6	48.7	19.3	13.26	7.41	3.90
1.70V	149.5	87.6	49.6	19.5	13.33	7.45	3.92
1.65V	152.9	88.8	50.2	19.6	13.38	7.47	3.93
1.60V	156.0	89.7	50.7	19.8	13.42	7.47	3.93

### Constant current discharge characteristics at 25 °C/77 °F Unit: A

F.V. (V/cell) \ Discharge Time	15 Min	30 Min	1 Hr	3 Hr	5 Hr	10 Hr	20 Hr
1.80V	24.1	14.0	7.95	3.16	2.177	1.217	0.640
1.75V	25.2	14.5	8.19	3.22	2.210	1.235	0.650
1.70V	26.0	14.8	8.34	3.25	2.222	1.241	0.653
1.65V	26.6	15.1	8.44	3.27	2.230	1.245	0.655
1.60V	27.1	15.2	8.52	3.29	2.237	1.245	0.655

All data shall be changed without prior notice, BB reserves the right to explain and update the information contained hereinto.