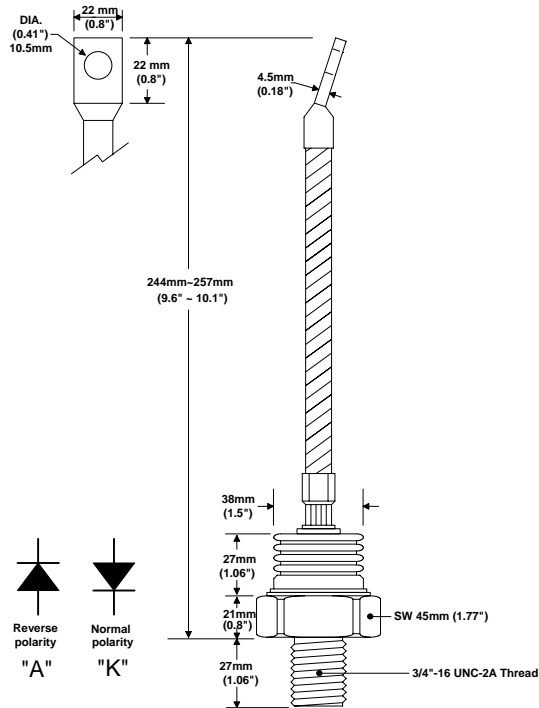


## Short Form Data Sheet

### CD package



Part number scheme

**CD 61 A N 12 KNX**  
1 2 3 4 5 6

- 1) Package designation
- 2) Series number
- 3) Polarity ("A" Anode thread, "K" Cathode thread)
- 4) Designates standard recovery time
- 5) Voltage Multiplier (example: 12 x 100 = 1200)
- 6) Proprietary suffix

### Features:

- ✓ All diffused silicone.
- ✓ Metal Ceramic package
- ✓ Hermetic seal
- ✓ Vibration resistant

### Applications:

- **Welding**
- **Plating**
- **Power Supplies**

## Voltage

Parameter	Symbol	Rating	Units
Maximum Repetitive Reverse Voltage <small>Notes: 1, 3, 4, 5, 6</small>	$V_{RRM}$	800 ~ 1400	Volts
Maximum non repetitive Surge of Reverse Voltage <small>Notes: 2, 3, 4, 5, 6</small>	$V_{RSM}$	$V_{RRM} + 100$	Volts
Maximum Non Repetitive Forward Voltage <small>Notes: 2</small>	$V_{FM} @ I_{FM}$	1.4 @ 1500	V @ A
<small>Note 1: <math>T_J</math> 25°C. Note 2: <math>T_J</math> 125°C. Note 3: Measured at the peak of the sine wave, Note 4: Below 0°C derate <math>V_{RRM}</math> 10%. Note 5: <math>V_{RRM}</math> have <math>I_{RRM}</math> of up to 20mA. Note 6: <math>V_{RR}</math> has typical <math>I_{DR}, I_{RR}</math> of 2-7mA. Note 7: For DC applications derate <math>V_{RRM}</math> 45%.</small>			
Specifying voltage:			
800V, CD61AN08	1000V, CD61AN10	1400V, CD61AN14	
1200V, CD61AN12	1600V, CD61AN16	Above 1600V inquire for availability.	

## Amperage

Parameter	Symbol	Rating	Units
Maximum, Average Current <small>Notes: 3, 4</small>	$I_{F(AVE)}$	600	Amperes
Maximum, RMS Current <small>Notes: 3, 4</small>	$I_{F(RMS)}$	940	Amperes
Maximum non repetitive Surge Current with no reverse voltage reapplied. <small>Notes: 2, 4</small>	$I_{FSM} 0\% V_{RRM}$	8.8	kA
$I_{RR}$ = Typical Repetitive, Reverse, Current. <small>Note: 1</small>	$I_{RR}$	3 ~ 7	mA
$I_{RRM}$ = Maximum (threshold), Repetitive, Reverse, Current. <small>Note: 1</small>	$I_{RRM}$	30	mA
Fuse's absolute maximum $I^2 t$ with no reverse voltage reapplied <small>Note: 2, 4</small>	$I^2 t, 0\% V_{RR}$	770	kA
<small>Note 1: <math>T_J</math> 25°C. Note 2: <math>T_J</math> 125°C. Note 3: <math>T_{Case}</math> 55°C air cooled. Note 4: 180° conduction, 60Hz sine wave.</small>			

## Thermal, Mechanical & Weight

Parameter	Symbol	Rating	Units
Operating Temperature Range	$T_J$	-40° ~ 180°	°Celsius
Maximum Thermal resistance, Junction to Case <small>Notes: 1, 2, 4</small>	$R_{th-J-C}$	0.095	°C/W
Maximum Thermal resistance, Case to Heat Sink <small>Notes: 1, 2, 3, 4</small>	$R_{th-C-HS}$	0.03	°C/W
Mounting Torque (No lubrication of threads)		50	Nm
		442	lbf-in
	Weight	485	Grams
		17	oz.
<small>Note 1: Recommended mounting torque applied Note 2: Mounting surfaces flat and greased Note 3: 180° conduction Note 4: Case Temperature measured at hex section of base (SW).</small>			