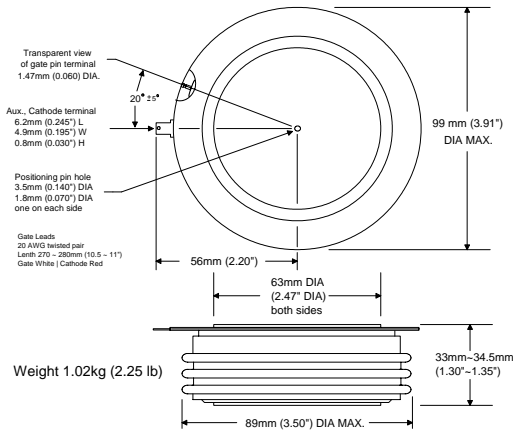


Y package



Part number scheme

Y T 21 N 12 KNX
1 2 3 4 5 6

- 1) Package designation
- 2) Thyristor designation (i.e. SCR)
- 3) Series number
- 4) Designates standard recovery time
- 5) Voltage Multiplier (example: 12 x 100 = 1200)
- 6) Proprietary suffix

Features:

- ✓ All diffused silicone.
- ✓ Center amplifying gate.
- ✓ Standard recovery time for phase control applications.
- ✓ Disk press package (nick named, Hockey Puck)
- ✓ Metal and ceramic package construction.
- ✓ Double side cooling.

Voltage

Parameter	Symbol	Rating	Units
Maximum Repetitive Off-State Voltage <small>Notes: 1, 3, 4, 5, 6, 7</small>	V _{DRM}	800 ~ 1600	Volts
Maximum Repetitive Reverse Voltage <small>Notes: 1, 3, 4, 5, 6</small>	V _{RRM}	800 ~ 1600	Volts
Maximum non repetitive Surge of Reverse Voltage <small>Notes: 2, 3, 4, 5, 6</small>	V _{RSM}	V _{RRM} + 100	Volts
Critical rate of rising off-state Voltage, Linear to 80% of V _{DRM} <small>Note: 2</small>	dv/dt	500	V/μs

Note 1: T_J 25°C. Note 2: T_J 125°C. Note 3: Measured at the peak of the sine wave, Note 4: Below 0°C derate V_{DRM} and V_{RRM} 10%.
Note 5: V_{DRM} and V_{RRM} have I_{DRM}, I_{RRM} of up to 50mA. Note 6: V_{DR} and V_{RR} have typical I_{DR}, I_{RR} of 3-7mA. Note 7: For DC applications derate V_{DRM} 45%.

Gate

Parameter	Symbol	Rating			Units
		Temp.	Typ.	Max.	
Gate Trigger Voltage <small>Note 3</small>	V _{GT}	-20°C 25°C 125°C	2.3 ~ 2.8 1.9 ~ 2.4 1.4 ~ 1.6	3	Volts
Maximum Gate Trigger Current <small>Notes 1,3</small>	I _{GT}		300		mA
Minimum anode cathode Current to Latch on-state <small>Notes 1, 5</small>	I _L		500		mA
Maximum peak non repetitive Gate Voltage <small>Notes 2, 3</small>	V _{GM}		8.4		Volts
Maximum Negative Gate Voltage <small>Notes 2, 4</small>	-V _{GM}		5		Volts
Maximum non repetitive Gate Current <small>Notes 2, 3</small>	I _{GM}		3.7		Amperes
Maximum Repetitive Gate Current <small>Notes 2, 3</small>	I _{G(RM)}		1		Amperes
Average Gate Power (recommended) <small>Note 2, 3</small>	P _{G(AVE)}		0.9 ~ 3		Watts

Note 1: T_J 25°C. Note 2: T_J 125°C. Note 3: Rectangular pulse, t_p ≤ 8.3 ms. Note 4: Rectangular -V_{DC} pulse, t_p ≤ 8.3 ms. Note 5: Test conditions: I_{DC} R_L = 12Ω.

Current

Parameter	Symbol	Rating	Units
Maximum, Average, On state, Current <small>Notes: 3, 4</small>	I _{T(AVE)}	2040	Amperes
Maximum, RMS, On state, Current <small>Notes: 3, 4</small>	I _{T(RMS)}	3140	Amperes
Maximum non repetitive, Surge, On state, Current, with no reverse voltage reapplied. <small>Notes: 2, 4</small>	I _{TSM} 0%V _{RRM}	29.5	kA
Maximum non repetitive, Surge, On state, Current, with maximum reverse voltage reapplied. <small>Notes: 2, 4</small>	I _{TSM} 100%V _{RRM}	25	kA
Critical rate of rising On-state Current, non repetitive <small>Note: 6, 7</small>	di/dt	250	A/μs
Maximum On-State Forward Voltage <small>Notes: 1, 4</small>	V _{TM} @ 3000A	1.6	Volts
Critical rate of rising On-state Current <small>Notes: 6, 7</small>	di/dt	150	A/μs
Holding Current <small>Notes: 1, 5</small>	I _H	800	mA
I _{DRM} = Maximum (threshold), Repetitive, Off-State, Current. <small>Note: 1</small> I _{RRM} = Maximum (threshold), Repetitive, Reverse, Current. <small>Note: 1</small>	I _{DRM} & I _{RRM}	50	mA
Fuse's absolute maximum I ² t with no reverse voltage reapplied <small>Note: 2, 4</small>	I ² t, 0% V _{RR}	4160	kA
Fuse's absolute maximum I ² t with up to 80% of V _{RRM} reapplied <small>Note: 2, 4</small>	I ² t, ≤ 80% V _{RRM}	2640	kA
Reverse Recovery Charge (C _s = Stored Charge)	Q _{RR}	Consult factory	μC _s

Note 1: T_J 25°C. Note 2: T_J 125°C. Note 3: T_{CASE} 55°C, double side air cooled. Note 4: 180° conduction, 60Hz sine wave.
Note 5: Test conditions: I_{DC} R_L = 12Ω. Note 6: Switching from V_{DRM} ≤ 1000V Note 7: In addition to 0.2μF and 20Ω snubber circuit

Thermal & Mechanical

Parameter	Symbol	Rating	Units
Operating Temperature Range	T _J	-40° ~ 125°	°Celsius
Maximum Thermal resistance, Junction to Case <small>Notes: 1, 3, 5</small>	R _{th-J-C}	0.015	°C/W
Maximum Thermal resistance, Case to Heat Sink <small>Notes: 1, 2, 3, 4, 5</small>	R _{th-C-HS}	0.002	°C/W
Mounting Pressure		3600 ~ 4500 8000 ~ 10000	kg lb.

Note 1: Recommended mounting pressure applied Note 2: Mounting surfaces flat and greased Note 3: Double side cooled
Note 4: Case Temperature measured at aux., cathode Note 5: 180° on-state