

# 5 X 7 TCX0

• Industry standard footprint

Series **CTX7**



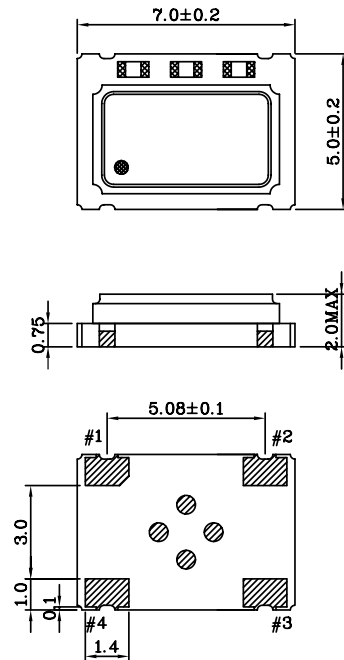
**Part Numbering Example: CTX7LZ - A3 B3 - 15.360**

<b>CTX7</b>	<b>L</b>	<b>Z</b>	<b>A3</b>	<b>B3</b>	<b>15.360</b>
<b>SERIES</b>	<b>VOLTAGE</b>	<b>PACKAGING OPTIONS</b>	<b>OPERATING TEMP.</b>	<b>STABILITY</b>	<b>FREQUENCY</b>
CTX7	Blank = +5.0 V ±5% L = +3.3 V ±5%	Z = Tape and Reel	A1=-10°C ~ +50°C A2=-10°C ~ +60°C A3=-30°C ~ +75°C A4=-40°C ~ +75°C	B1 = ±5.0 ppm B2 = ±3.0 ppm B3 = ±2.5 ppm	

**Specifications:**

<b>Frequency Range:</b>	9.600 MHz to 32.000 MHz
<b>Available Stability Options:</b>	±5.0 ppm ±3.0 ppm ±2.5 ppm
<b>Output Series:</b>	Clipped Sine
<b>Input Voltage:</b>	+5.0 VDC ±5% +3.3 VDC ±5%
<b>Operating Temperature Range Options:</b>	-10°C to +50°C -10°C to +60°C -30°C to +75°C -40°C to +75°C
<b>Output Voltage:</b>	1.0 Volt Peak to Peak Minimum
<b>Frequency Trim Range With Externally Adjustable Trimmer:</b>	± 3.0 ppm Minimum
<b>Output Load:</b>	10K OHM Parallel with 10 pf
<b>Maximum Input Current:</b>	2.0 mA
<b>Maximum Frequency Aging at +25°C:</b>	±1 ppm/yr
<b>Freq. Stability Vs. Change of Input Voltage of ±5%:</b>	±0.3 ppm
<b>Packaging:</b>	Tape and Reel (1K per Reel)

**CTX7**



**PIN CONNECTION**  
 #1 V.C or N.C  
 #2 GND  
 #3 OutPut  
 #4 Vcc

Recommended soldering pattern

