

SAW Through Hole Resonator

One-Port SAW TO-39 Case Resonator

Wireless Remote Control

Wireless security transmitters and receivers

One-Port Resonator

Fundamental Mode

Quartz Stabilization

Low Cost

Part Numbering Example: CDO2-A0-50-292.123456

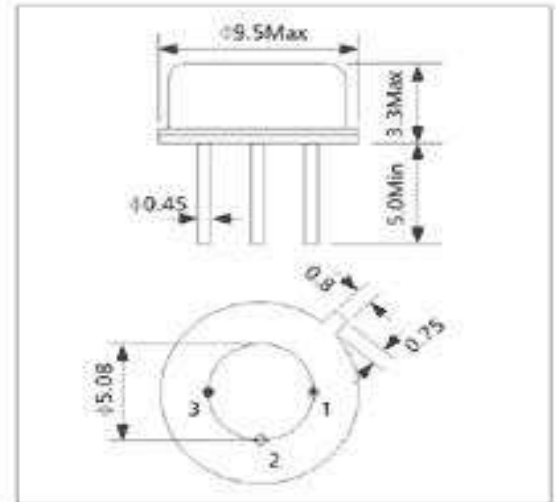
CDO2 - A0 - 50 - 292.123456

SERIES	ADDED FEATURES	OPERATING TEMP.	TOLERANCE	FREQUENCY
CDO2	Blank = Bulk Pack	A0 = -10 C to +60 °C A2 = -40 C to +85 °C	50 = ± 50 kHz 75 = ± 75 kHz 100 = ± 100 kHz	

Specifications:

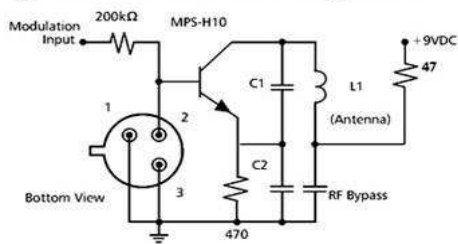
	Min	Typ	Max	Units
Frequency Range FO	292		980	MHz
Operating Temperature TOPR	-40	-10/+60	+85	°C
Temperature Stability at 25°C	-0.032			PPM/(?°C) ²
Frequency Tolerance F/FO at 25°C	+ 50		+ 500	kHz
Storage Temp Range TSTG	-40		+85	°C
Insertion Loss IL			3	dB
Shunt Capacitance CO			4	pF
Motional Resistance RM			50	?
Q Factor Qu	8000		20,000	
Aging (First Year) Fa at 25°C	-10		+10	PPM/Yr

CDO2



Pin	Connection
1	Terminal 1
2	Terminal 2
3	Case Ground

Typical Low-Power Transmitter Application



Typical Local Oscillator Application

