

Programmable LVDS Oscillator

Platinum Series **CHL**

- * LVDS Output
- * Fast Delivery
- * Industry Standard Packaging

Applications

- * Serial Communications
- * Routers
- * Switches
- * WAN Interfaces
- * Test Equipment

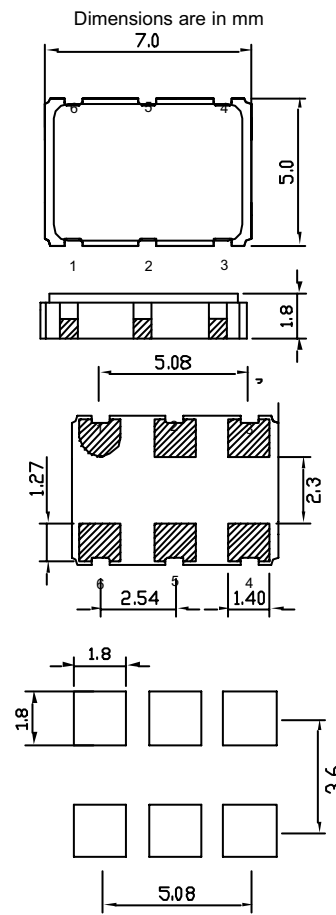


Part Numbering Example: CHL Z - A5 BP - 222.5792 TS

CHL	Z	A5	BP	222.5792	TS
SERIES	PACKAGING OPTIONS	OPERATING TEMP.	STABILITY	FREQUENCY	TRI-STATE
CHL	Blank = Bulk Z = Tape and Reel	Blank = 0°C ~ +70°C A5 = -20°C ~ +70°C A7 = -40°C ~ +85°C	Blank = ±100 ppm BP = ±50 ppm		TS = Tri-State

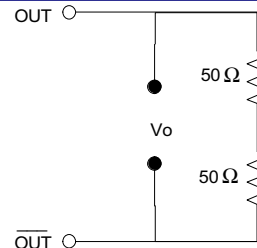
Specifications:	Min	Typ	Max	Unit
Frequency Range:	200		800	MHz
Stability:	-50		+ 50	ppm
Supply Voltage:	3.135	3.3	3.465	V
Vdd Rise Time:	100			µS
Operating Temperature:	-20		+ 70	°C
Storage Temperature:	-55		+ 125	°C
Duty Cycle:	45		55	%
Start-Up Time:		3	10	mS
Aging: (ppm/1st Year) Ta=25C, Vdd=3.3V			5	ppm
Supply Current:			140	mA
Short Circuit Current:		± 50		mA
RMS Period Jitter:		15		pS
RMS Integrated Jitter: 12kHz to 20MHz		20		pS
Phase Noise @ 10kHz:			-90	dBc/Hz
Output Voltage: Voh Vol			1.6 0.9	V V
Output Differential Voltage:	240	350	460	mV
Rise/Fall Time:		0.4	0.8	nS
Output Level:	LVDS			
Packaging:	Tape and Reel 1000 pcs per Reel			

CHL



- PIN Function**
- 1 OE (CMOS)
 - 2 Do Not Connect
 - 3 Ground
 - 4 LVDS +
 - 5 LVDS -
 - 6 Vdd

LVDS Levels Test Circuit



Tristate internal pull up resistor--
output active when high

