

Ceramic Surface Mount

- 1.25 mm height
- Glass-sealed housing for high reliability

- Two industry standard footprints
- Economic cost

Series CX12A CX12B

RoHS COMPLIANT
2002 / 95 / EC

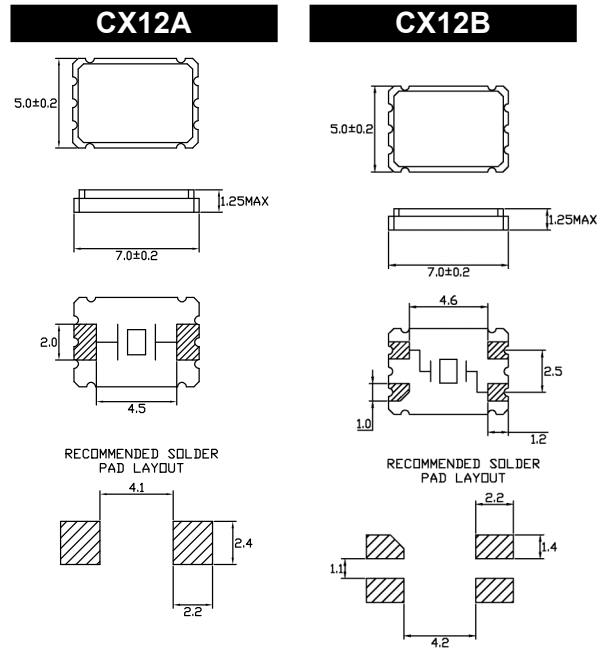
Part Numbering Example: CX12A Z - A1 B2 C2 60 - 9.83 D18 - 3

CX12A	Z	A1*	B2	C2	60	9.83	D18	-3
SERIES	ADDED FEATURES	OPERATING TEMP.	STABILITY	TOLERANCE	RESISTANCE	FREQUENCY	LOAD CAP.	OVERTONE
CX12A	BLANK = BULK PACK Z = TAPE AND REEL	A0 = -10°C ~ +60°C A1 = -10°C ~ +70°C A2 = -40°C ~ +85°C A3 = -55°C ~ +125°C	B1 = ±100 B2 = ± 50 B3 = ± 30 B4 = ± 10	C1 = ±100 C2 = ± 50 C3 = ± 30 C4 = ± 10	SEE CHART BELOW		D16, 18, 20, ETC. DS = SERIES	BLANK: FUND. -3: 3rd OT -5: 5th OT -7: 7th OT -BT: BT Cut

**NOTE: The above ABC combinations cover basic specification options. We tailor our crystal specifications to meet customer requirements. Please contact our sales department if you don't see exactly what you need.*

Specifications:

Frequency Range:	9.83 ~ 100.000 MHz
Operating Temperature:	-10°C ~ +60°C <i>Standard</i> -40°C ~ +85°C
Frequency Stability:	±100 ppm <i>Standard</i> ± 50 ppm
Frequency Tolerance:	± 50 ppm <i>Standard</i> (at 25°C)
Load Capacitance:	Standard 18 pF or series. Other values are available.
Resistance:	Maximum resistance corresponds to frequency. See chart below.
Standard:	Mode: Fundamental or 3rd Overtone Shunt Capacitance: 5 pF Max Aging: ± 5 ppm/year Drive Level: 0.1 mW Packaging: Tape and Reel (1K per Reel)



Resistance Chart: All resistances are maximum values.

EQUIVALENT SERIES RESISTANCE (ESR), MODE OF OPERATION (MODE), AND CUT					
Frequency MHz	ESR(Ω)	Mode/cut	Frequency MHz	ESR(Ω)	Mode/cut
9.83~11.999	60 Max	Fund./AT	28.000~30.999	100 Max	3rd Overtone/AT
12.000~15.999	60 Max	Fund./AT	31.000~34.999	100 Max	3rd Overtone/AT
16.000~25.999	40 Max	Fund./AT	35.000~49.999	60 Max	3rd Overtone/AT
26.000~41.000	40 Max	Fund./AT	50.000~100.000	60 Max	3rd Overtone/AT

