

SURFBOARDS®



THE BREADBOARDING MEDIUM FOR SURFACE MOUNT™

9000 SERIES FOR I.C.s

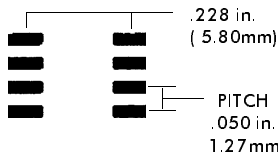
IDS9082A 3-9-99

MODEL 9082

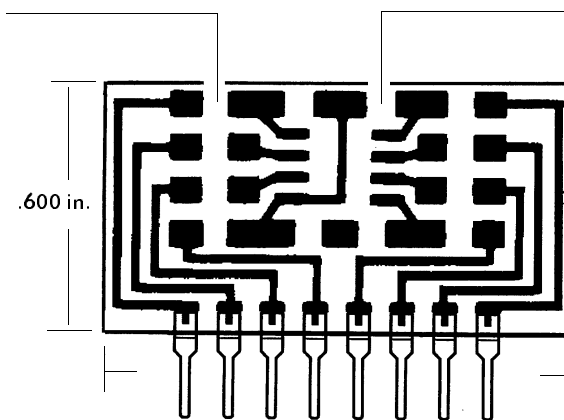
ACCEPTS 8-PIN S.O.I.C.
PROVISION FOR ON-BOARD BYPASS CAPACITOR

IN-LINE COMPONENT MOUNTING PADS ACCEPT 0805, 1206, MINI-MELF, A-TANTALUM, AND OTHER 2-TERMINAL SMD DEVICES

I.C. PAD SET FOR 8-PIN SOIC



JUST ADD PARTS
AND
PLUG IN™ (TM)



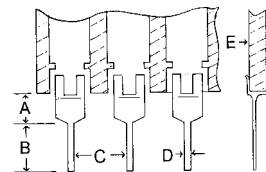
MOUNTING PAD FOR BYPASS CAPACITOR ACROSS I.C. TERMINALS 4-8

BOARD WIDTH
1.10 in.

SIP (SINGLE-IN-LINE) PINS ON .100 in. CENTERS
PROVIDE COMPATIBILITY WITH BREADBOARDS AND SOCKETS

The 9082 provides the perfect platform for breadboarding with the popular 8-PIN SOIC package. Add components or jumpers to complete your prototype. Peripheral component mounting pads accept 0805, 1206 and Mini-Melf packages as well as others. 8-Pin SIP plugs into sockets and solderless breadboards, or solder into a standard breadboard. Board features a pad location for optional bypass capacitor across I.C. pins 4 and 8. Non-component areas are coated with soldermask to aid assembly. Great for a wide range of uses.

PIN SPECIFICATIONS / TOLERANCES



In Inches

A = .062 ± .006
B = .130 ± .010
C = .100 ± .005
D = .020 ± .004
E = .031 ± .005

BOARD SPECIFICATIONS

BOARD MATERIAL: .031 ± .005 In. Thick G-10 FR-4 Glass Epoxy or equivalent.
CIRCUITS: 1oz Copper with solder coated pads.
TOLERANCES: Given in inches
Board Size ± .020 / OAL ± .040
Circuit pattern/position ± .005

Copyright 1997, 1999 by Capital Advanced Technologies, Inc. All rights reserved. Surfboards Are a registered trademark of Capital Advanced technologies, Inc. All other trademarks or registered trademarks are property of their respective owners. Availability, specifications, and prices are subject to change without notice. All information given is believed to be accurate but is not guaranteed. The user of information given or products represented by such information is responsible for determining the suitability of said information or products for a given purpose.

CAPITAL ADVANCED TECHNOLOGIES, INC.

CAROL STREAM, ILLINOIS. USA.

PHONE 630-690-1696 WWW.CapitalAdvanced.Com FAX-ON-DEMAND 630-690-2865