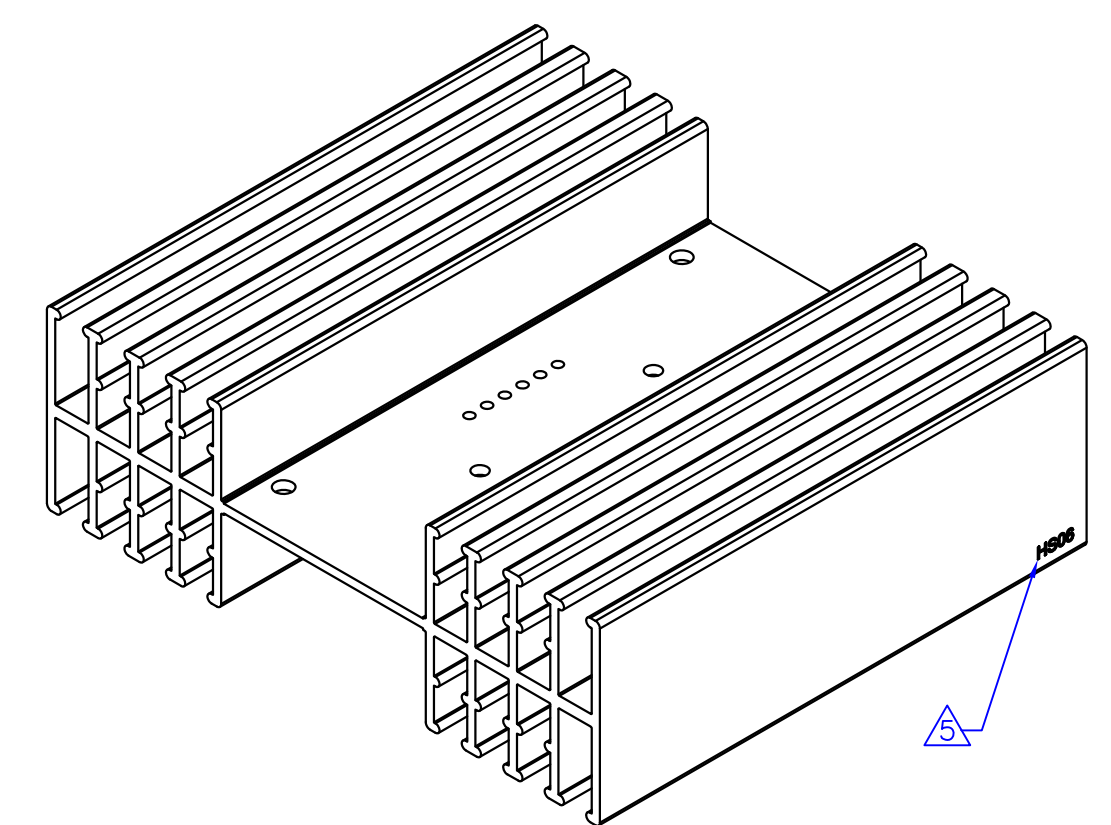
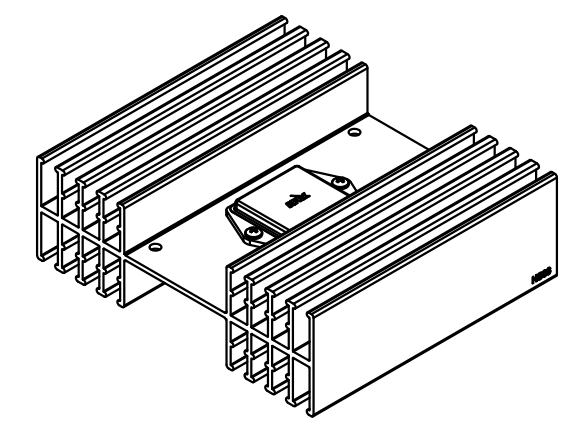
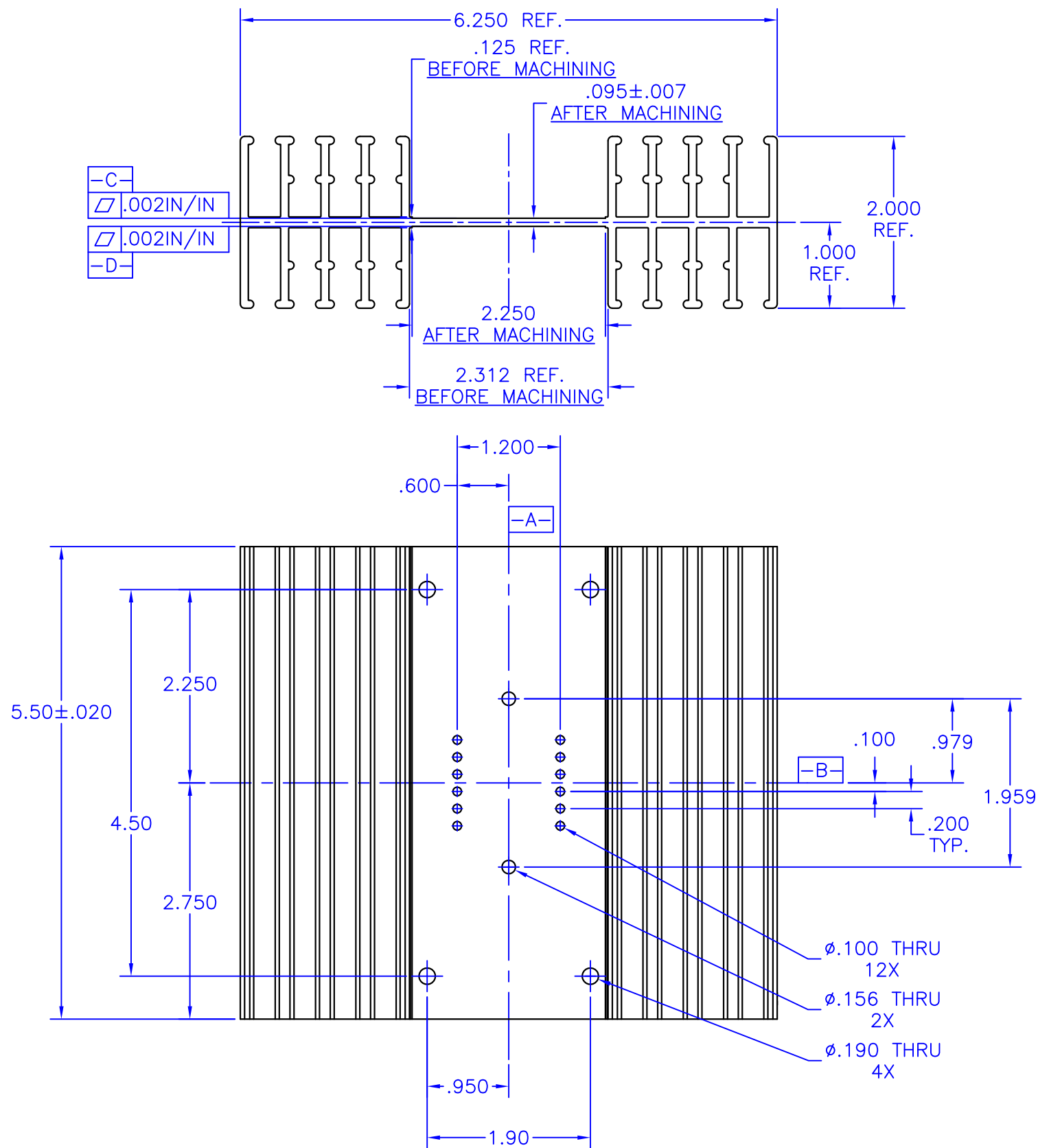


8 7 6 5 4 3 2 1

E
D
C
B
A

E
D
C
B
A



NOTES:

1. Unless otherwise noted, all dimensions are in inches.
2. Break all sharp edges, de-burr & remove loose chips.
3. Material: 6063-T5 aluminum (AAVID Thermalloy extrusion 60315)
4. Finish: Anodize per MIL-A-8625, Type II, Class 2, Black
Typical breakdown voltage > 300V
5. Mark Part Number with contrasting ink as shown.
6. Approximate Weight: 24.2 oz [686g]

TOLERANCES - UNLESS OTHERWISE SPECIFIED		TITLE: POWER DIP HEATSINK		MODEL: HS06	
.XX = ±.05 [.002]		SUBJECT: MECHANICAL DRAWING		ENGINEER: D-M	
.XXX = ±.005 [.0002]		DRAWN BY: P.ECK		DATE: 14NOV12	
ANG. = ±2°		DCA: 12434		REV: I	
APEX MICROTECHNOLOGY		SPL: 1		CP: 1	
		FILENAME: HS06			

8 7 6 5 4 3 2 1