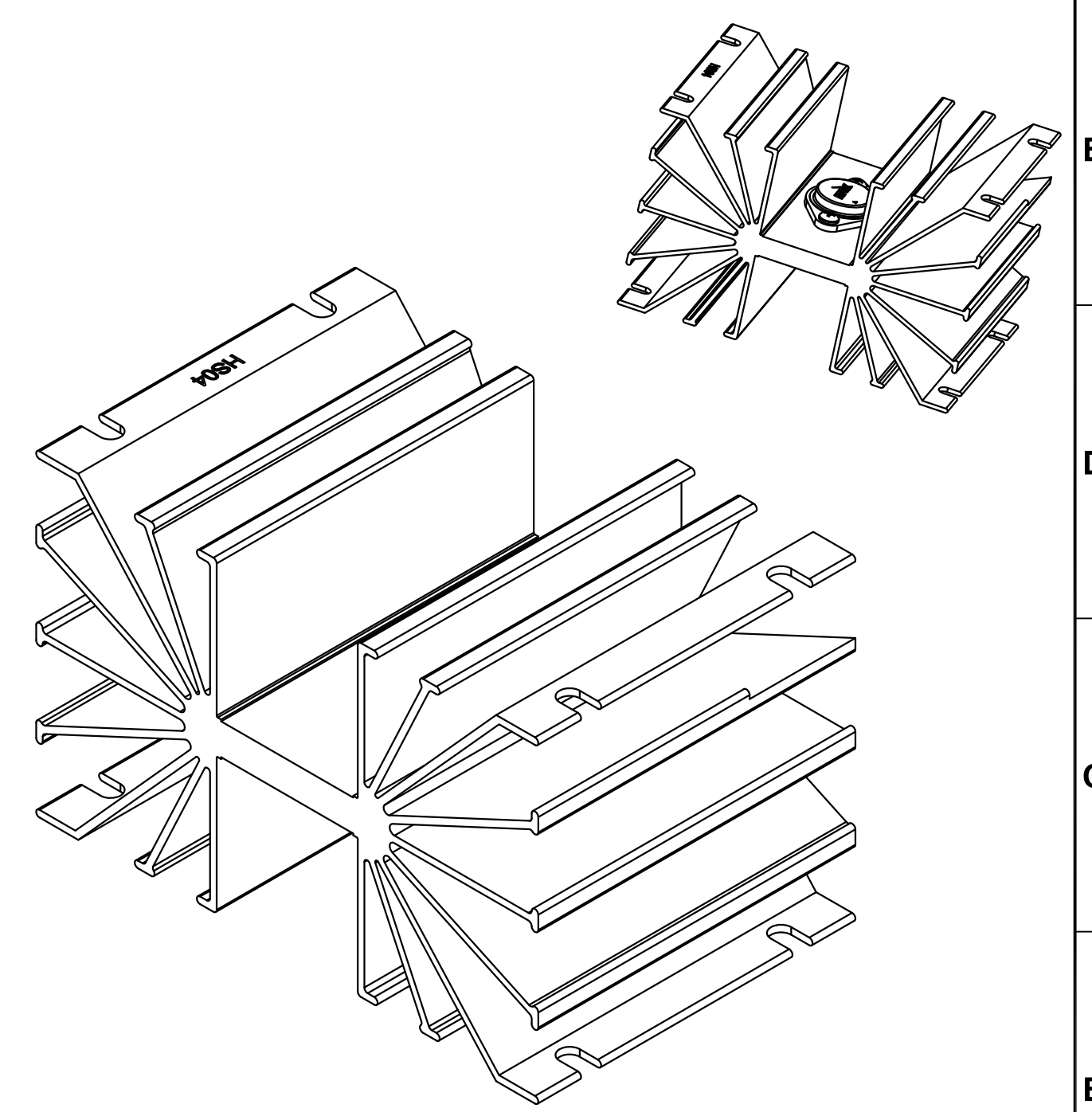
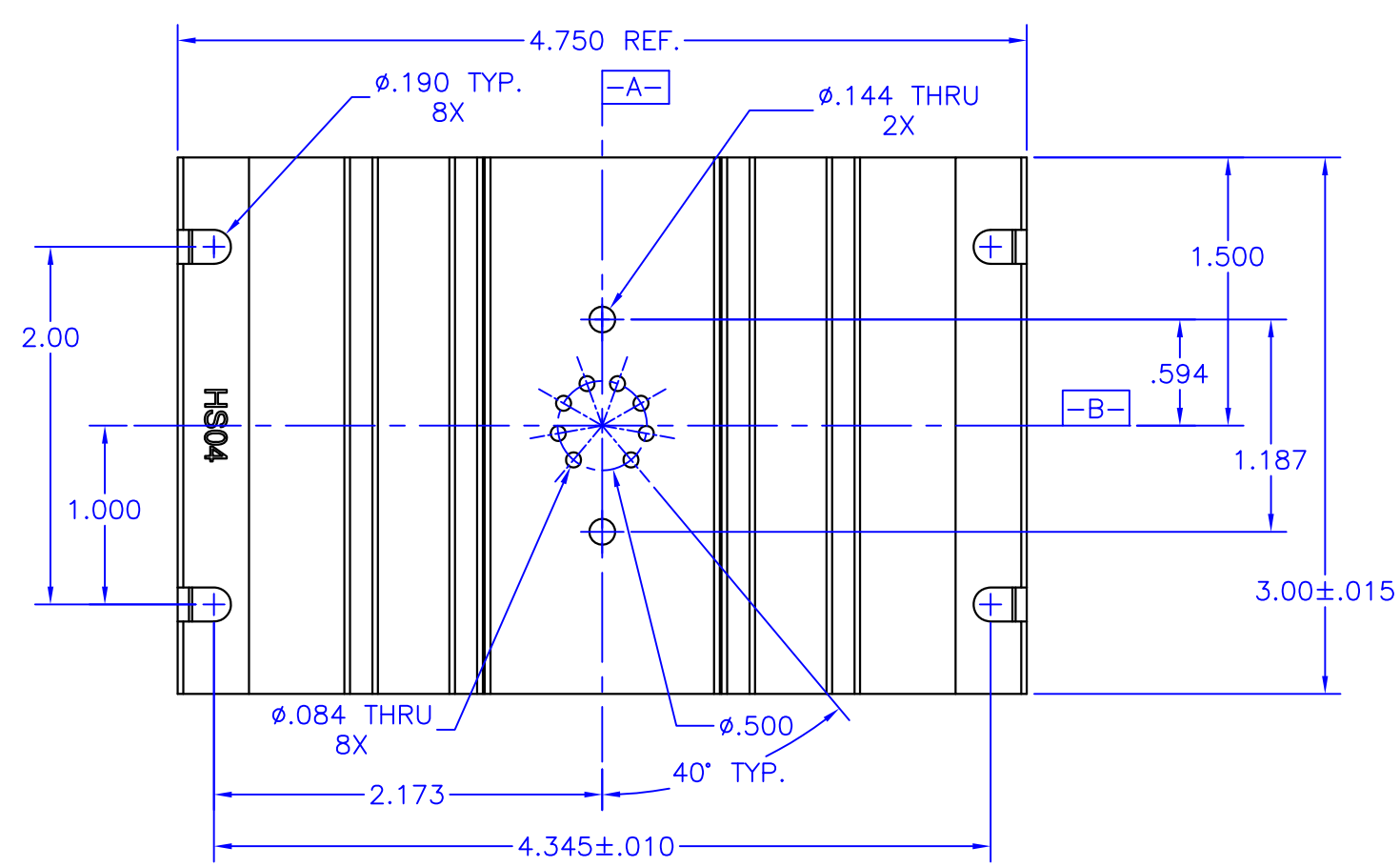
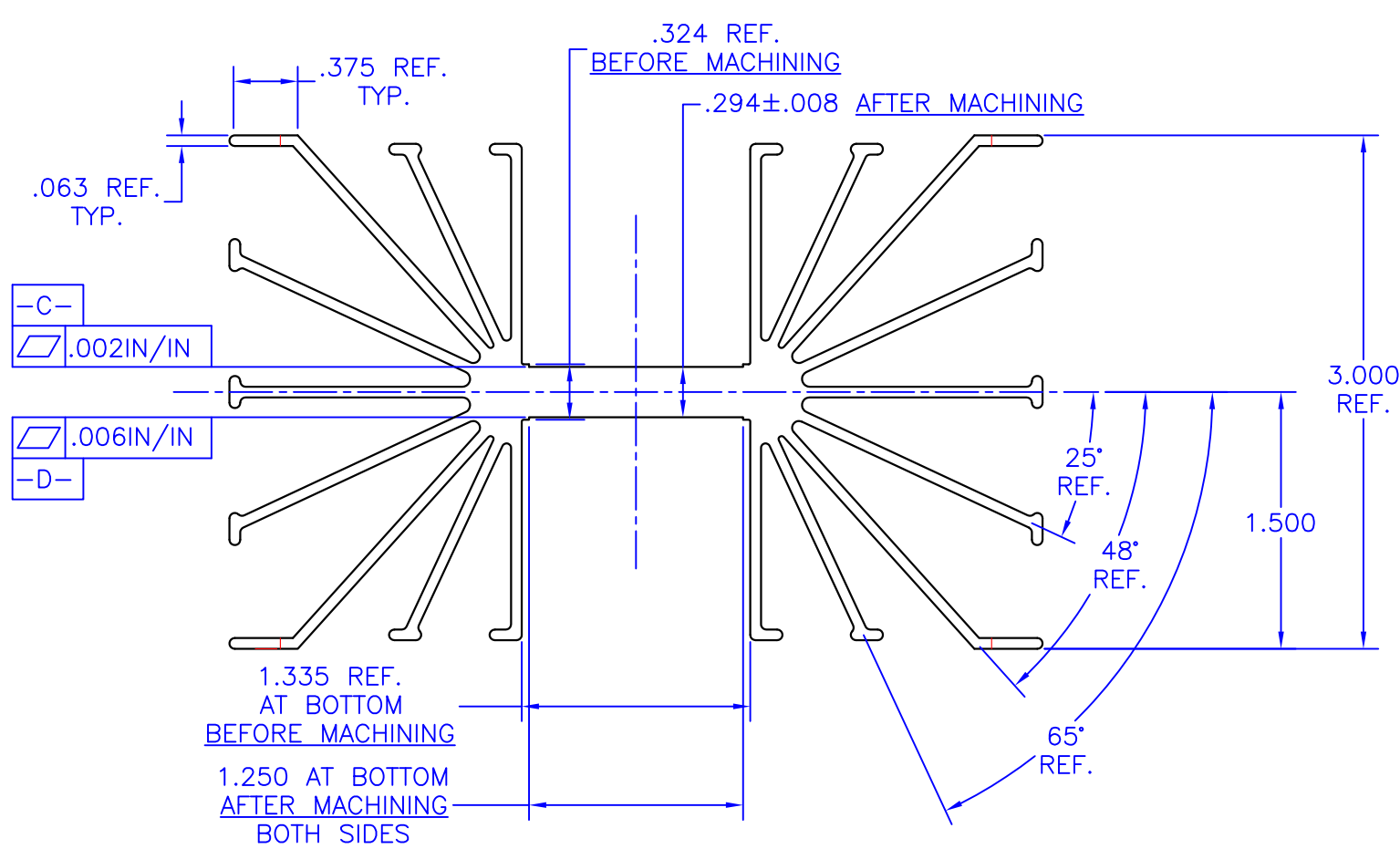


8 7 6 5 4 3 2 1

E
D
C
B
A



- NOTES:**
1. Unless otherwise noted, all dimensions are in inches.
 2. Break all sharp edges, de-burr & remove loose chips.
 3. Material: 6063-T5 aluminum (AAVID Thermalloy extrusion 60650)
 4. Finish: Anodize per MIL-A-8625, Type II, Class 2, Black
Typical breakdown voltage > 300V
 5. Mark with contrasting ink as shown, if specified by P.O.
 6. Approximate Weight: 11.6 oz [329g]

TOLERANCES - UNLESS OTHERWISE SPECIFIED .XX = ±.05 [.002] .XXX = ±.005 [.0002] ANG. = ±2°	 APEX MICRO TECHNOLOGY PRECISION MANUFACTURING	TITLE: HEATSINK, TO-3	MODEL: HS04
		SUBJECT: MECHANICAL DRAWING	REV: I
ENGINEER: D-M	DRAWN BY: P.ECK	DCA: 12434	DATE: 14NOV12
		SHEET: 1 OF 1	

8 7 6 5 4 3 2 1