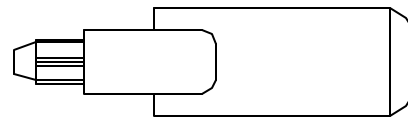
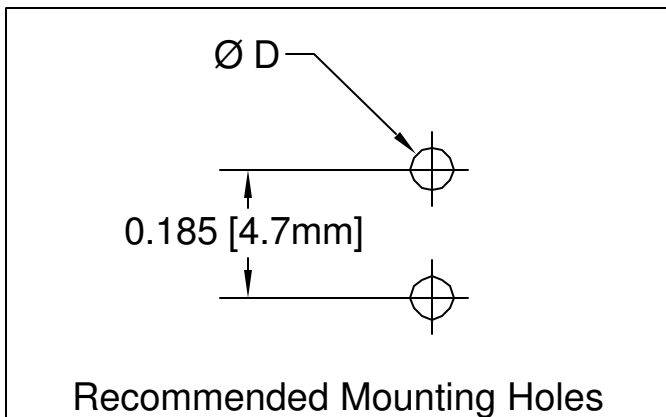
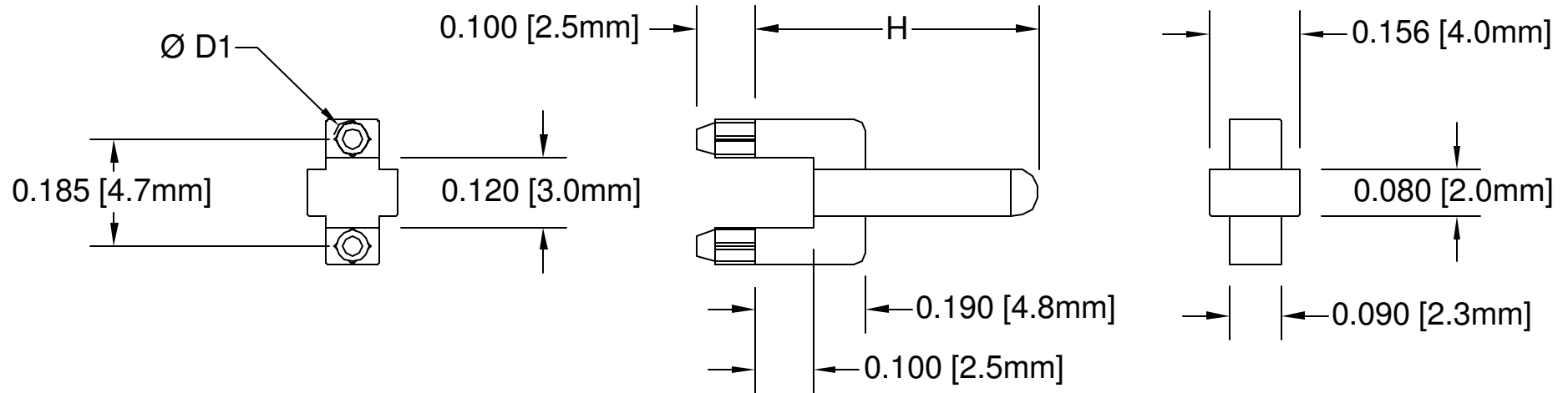


REV.	DESCRIPTION	DATE	APPROVED
A	Engineering Release	03/10/04	M. C.



P/N	H	$\varnothing D \begin{smallmatrix} +.003 \\ -.002 \end{smallmatrix}$	$\varnothing D1$
VLPR-24-500-2	0.500"(12.7mm)	.062"(1.6mm)	.065"(1.7mm)
VLPR-24-650-2	0.650"(16.5mm)	.062"(1.6mm)	.065"(1.7mm)
VLPR-24-858-2	0.858"(21.8mm)	.058"(1.5mm)	.060"(1.5mm)
VLPR-24-1028-2	1.028"(26.1mm)	.058"(1.5mm)	.060"(1.5mm)

STANDARD TOLERANCE (UNLESS OTHERWISE SPECIFIED)	
DECIMALS	ANGULAR
.X $\pm .1$	X° $\pm 1^\circ$
.XX $\pm .01$	
.XXX $\pm .005$	

BIVAR[®]
 4 THOMAS, IRVINE, CA 92618
 TEL: (949) 951-8808 FAX: (949) 951-3974

TITLE: VERTICAL LIGHT PIPE

- MATERIAL: POLYCARBONATE 94V-0 CLEAR, BIVAR MATERIAL CODE 47-CR.
SAMYANG CORPORATION POLYCARBONATE 3025N2 CLEAR
- GENERAL SPECIFICATIONS: BIVAR MOLDED COMPONENT SPECIFICATION BV00-E101.

DESIGNED: T. Yin	DATE: 03/10/04	PART NO: VLPR-24-XXXX-2	REVISION: A
CHECKED: D. Green	DATE: 03/10/04	CAGE CODE : 32559	SHEET # 1 OF 1