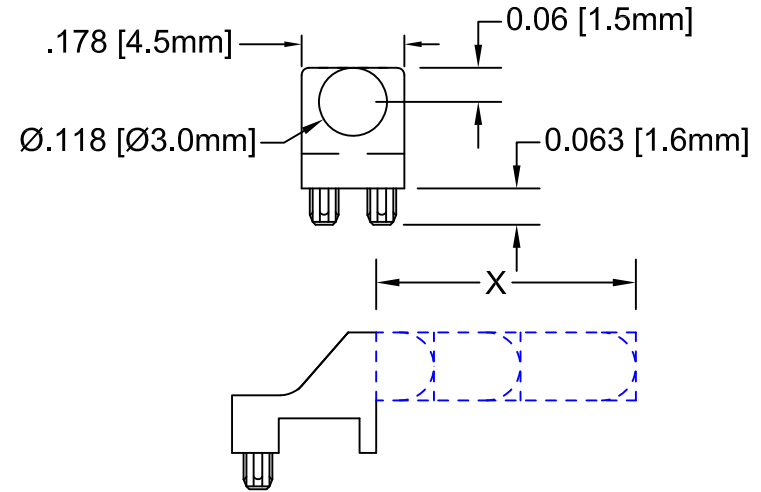
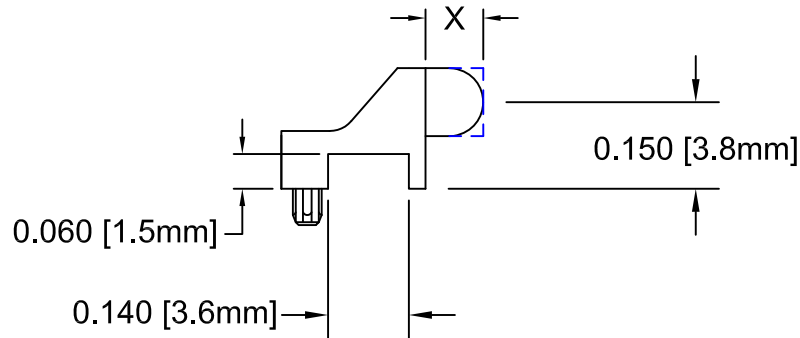
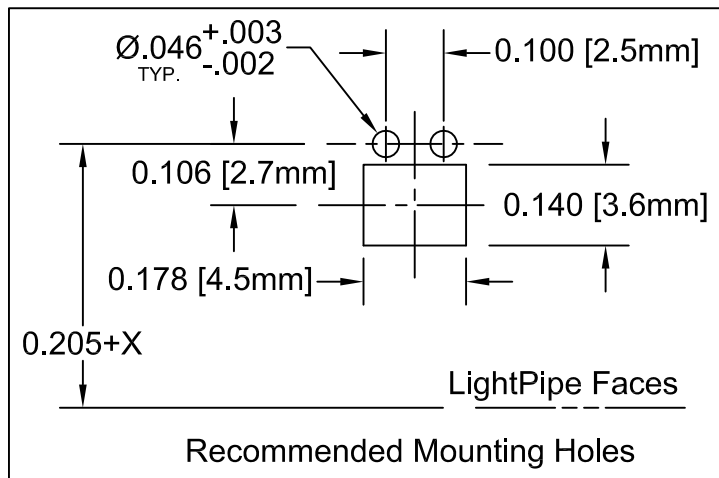
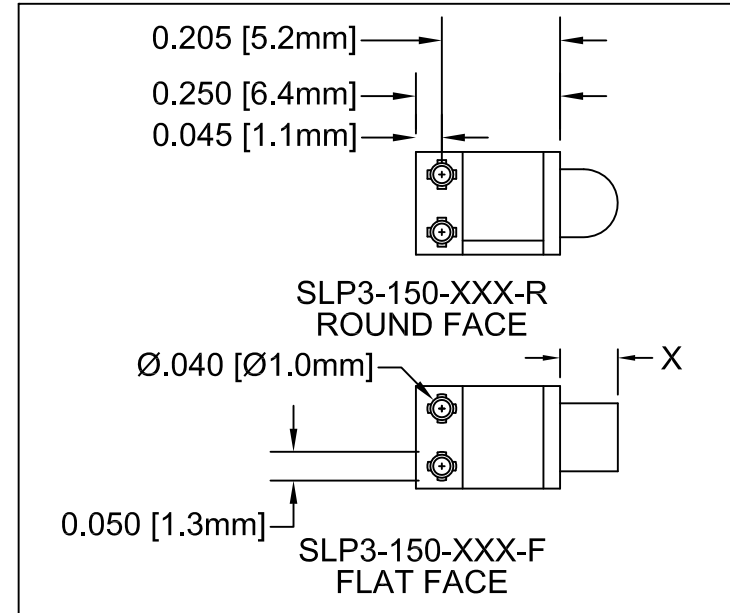


REV.	DESCRIPTION	DATE	APPROVED
D	Added Mounting Pattern	03/04/08	M. C.
E	Mounting Peg Update.	05/09/08	M. C.
F	Engineering Release.	06/06/08	M. C.
G	Added SLP3-150-300-R.	05/12/10	T. Y.
H	Added SLP3-150-150-F and -R.	08/17/12	T. Y.



PART NUMBER	X DIMENSION
SLP3-150-100-F	0.100 [2.54mm] Flat Face
SLP3-150-100-R	0.100 [2.54mm] Round Face
SLP3-150-150-F	0.150 [3.81mm] Flat Face
SLP3-150-150-R	0.150 [3.81mm] Round Face
SLP3-150-250-F	0.250 [6.35mm] Flat Face
SLP3-150-250-R	0.250 [6.35mm] Round Face
SLP3-150-300-R	0.300 [7.62mm] Round Face
SLP3-150-450-R	0.450 [11.43mm] Round Face



2. MATERIAL: POLYCARBONATE, 94V-0, CLEAR. BIVAR MATERIAL CODE 47-CR.  
SAM YANG CORPORATION POLYCARBONATE 3025N2 CLEAR.

1. GENERAL SPECIFICATIONS: BIVAR MOLDED COMPONENT SPECIFICATION BV00-E101.

STANDARD TOLERANCE (UNLESS OTHERWISE SPECIFIED)		BIVAR®	
DECIMALS	ANGULAR	4 THOMAS, IRVINE, CA. 92618	
.X ±.1	X° ± 1°	TEL: (949) 951-8808 FAX: (949) 951-3974	
.XX ±.01		TITLE: LIGHT PIPE	
.XXX ±.005		90° VARIABLE CENTERLINE	
DESIGNED: <b>Ty Yin</b>	DATE: <b>10/17/07</b>	PART NO: <b>SLP3-150-XXX-X</b>	REVISION: <b>H</b>
CHECKED: <b>M. Chen</b>	DATE: <b>10/17/07</b>	CAGE CODE : 32559	SHEET # 1 OF 1
CAD GENERATED DOCUMENT, DO NOT MEASURE DRAWING.			