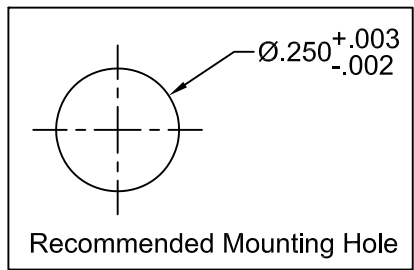
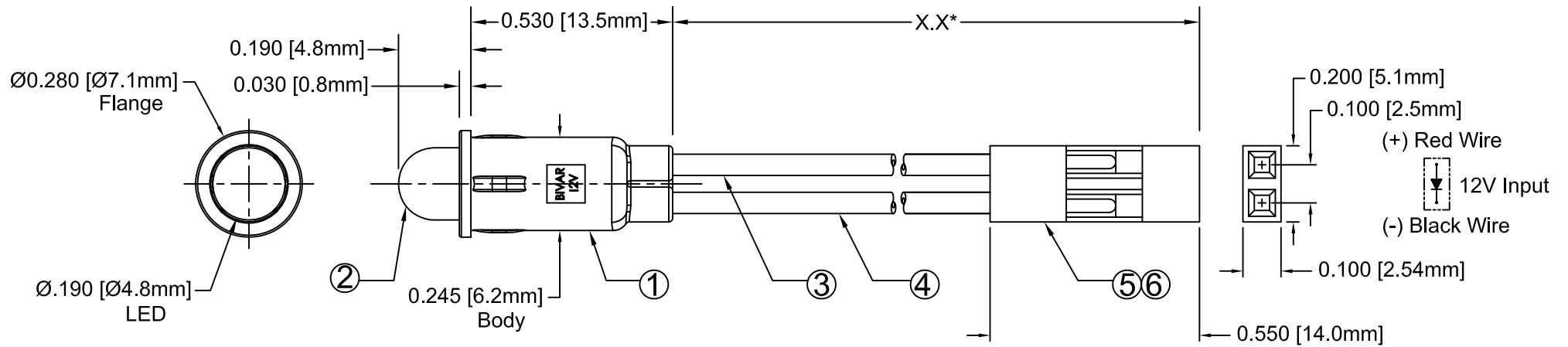


ITEM	Q'TY	PART NUMBER	PART DESCRIPTION
1	1	PM5-12V	LED Holder, Panel Mount, Press Fit, (5mm)
2	1	5XX12V	T1 ¼ (5mm) Non-Flange LED, See Page 2.
3	1	BWS24-1007-RD	24AWG Wire Lead U.L. 1007, Red
4	1	BWS24-1007-BK	24AWG Wire Lead U.L. 1007, Black
5	1	2665S020000	Leoco 2665 Series 2.54mm(.100") Crimp Type Socket, 1X
6	2	2653TPB0001	Leoco Terminal# 2653TPB0001(Reel), 2653TPB00A1(Bulk)

REV.	DESCRIPTION	DATE	APPROVED
A	Engineering Release	12/22/10	T. Y.



EXAMPLE:
PM5XX12VWX.X-CC
 Series | LED Color & Lens Appearance | 12 Volt Assembly | Wire Length | CC Connector

*Length (X.X) Tolerance:	
X ≤ 14"	X +0.20" / -0.05"
X > 14"	X +2% / -0.05"

Note: Housing shipped assembled with terminals.



ABSOLUTE MAXIMUM RATINGS (Ta = 25°C)

OPERATING TEMPERATURE RANGE _____ -25°C ~ 85°C
 STORAGE TEMPERATURE _____ -30°C ~ 100°C
 LEAD SOLDERING TEMPERATURE (1/16" FROM BODY) _____ 260°C for 5 Seconds

STANDARD TOLERANCE (UNLESS OTHERWISE SPECIFIED)		 4 THOMAS, IRVINE, CA. 92618 TEL: (949) 951-8808 FAX: (949) 951-3974					
DECIMALS	ANGULAR						
.X ± .1	X° ± 1°		TITLE: T1¼ (5mm) PANEL MOUNT ASSEMBLY, 12V W/ CC				
.XX ± .02				DESIGNED: Raffy Paje	DATE: 12/22/10	PART NO: PM5XX12VWX.X-CC	REVISION: A
.XXX ± .010				CHECKED: T. Yin	DATE: 12/22/10	CAGE CODE: 32559	SHEET # 1 OF 2
CAD GENERATED DOCUMENT, DO NOT MEASURE DRAWING.							

REV.	DESCRIPTION	DATE	APPROVED
	SEE SHEET #1		

Assembly P/N	Emitted Color	Peak Wave Length λ_p (nm)	Lens Appearance	Absolute Max. Ratings			Electro-Optical Data @ 12V			Viewing Angle $2\theta^{1/2}$ (Deg)	LED P/N
				Pd (mW)	If (mA)	Peak If (mA)	Vf (V)		Iv (mcd)		
							TYP	MAX	TYP		
PM5GC12VWX.X-CC	GREEN	568	WATER CLEAR	/	10	12	/	12	40	35	5GC12V
PM5GD12VWX.X-CC	GREEN	568	DIFFUSED	/	10	12	/	12	25	45	5GD12V
PM5HC12VWX.X-CC	HE RED	625	WATER CLEAR	/	10	12	/	12	40	35	5HC12V
PM5HD12VWX.X-CC	HE RED	625	DIFFUSED	/	10	12	/	12	25	45	5HD12V
PM5RC12VWX.X-CC	RED	700	WATER CLEAR	/	10	12	/	12	2	35	5RC12V
PM5RD12VWX.X-CC	RED	700	DIFFUSED	/	10	12	/	12	1.5	45	5RD12V
PM5YC12VWX.X-CC	YELLOW	590	WATER CLEAR	/	10	12	/	12	25	35	5YC12V
PM5YD12VWX.X-CC	YELLOW	590	DIFFUSED	/	10	12	/	12	20	45	5YD12V

STANDARD TOLERANCE (UNLESS OTHERWISE SPECIFIED) DECIMALS ANGULAR		 BIVAR [®] 4 THOMAS, IRVINE, CA. 92618 TEL: (949) 951-8808 FAX: (949) 951-3974	
			
DESIGNED: Raffy Paje	DATE: 12/22/10	PART NO: PM5XX12VWX.X-CC	REVISION: A
CHECKED: T. Yin	DATE: 12/22/10		
CAD GENERATED DOCUMENT, DO NOT MEASURE DRAWING.			