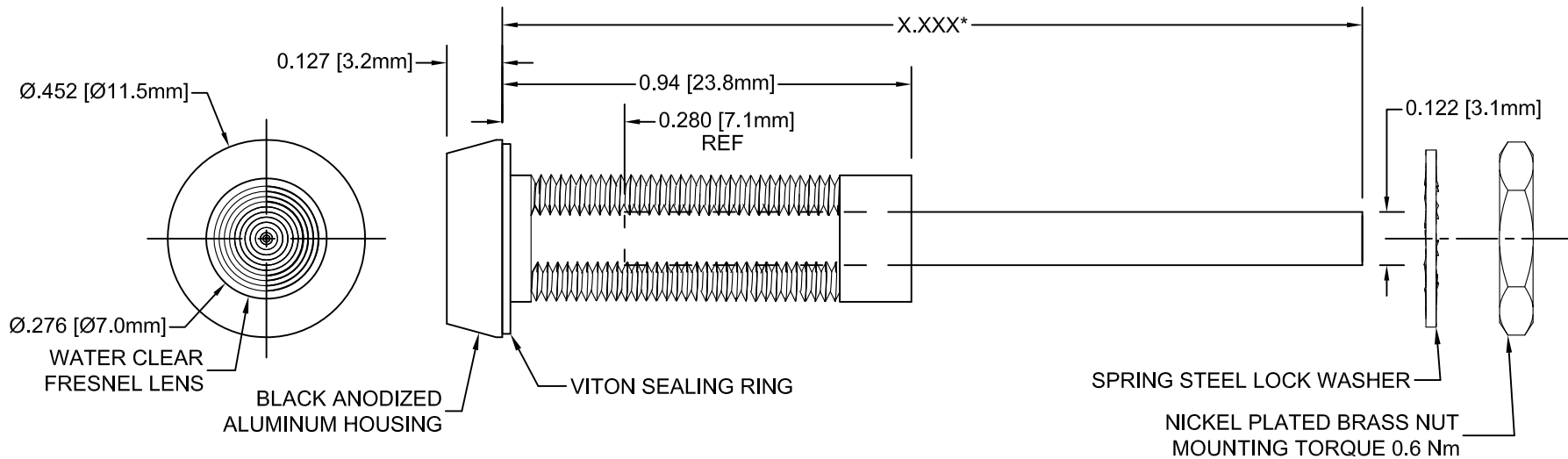


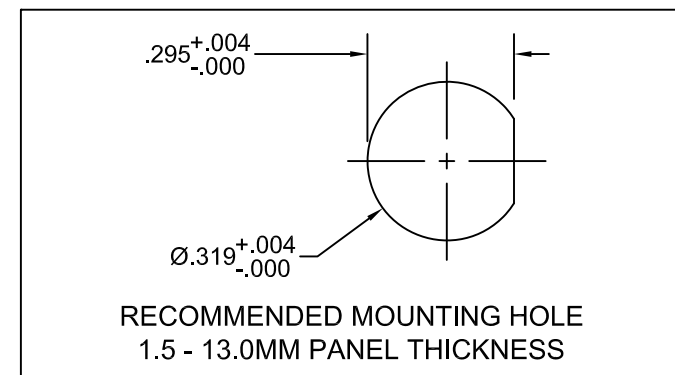
REV.	DESCRIPTION	DATE	APPROVED
B	Engineering Release	03/15/12	T. Y.
C	Added Note 5	12/10/12	T. Y.



*Length "X.XXX"	Tolerance
1.000" ~ 16.000"	$\pm 0.050$ "
16.250" ~ 40.000"	$\pm 0.150$ "
40.250" ~ 80.000"	$\pm 0.300$ "
80.250" ~ 500.0"	$\pm 0.5\%$


**EXAMPLE:**  
**PM5-A2031-6.500**

Series      Fiber Length in 0.250" Increments



**NOTES:**

1. SEALED TO IP67 RATING
2. ROHS COMPLIANT
3. MOUNTING HARDWARE SHIPPED NON-ASSEMBLED
4. INSERT VITON RING ON PANEL MOUNT PRIOR TO PANEL INSERTION
5. ALLOWABLE CUT LENGTH IS UP TO 3 DECIMAL PLACES

STANDARD TOLERANCE ( UNLESS OTHERWISE SPECIFIED )		 <b>BIVAR</b> <sup>®</sup> 4 THOMAS, IRVINE, CA. 92618 TEL: (949) 951-8808 FAX: (949) 951-3974
DECIMALS	ANGULAR	
.X $\pm .1$	X° $\pm 1^\circ$	<b>TITLE:</b> IP67 RATED METAL PANEL MOUNT FLP INDICATORS
.XX $\pm .02$		
.XXX $\pm .010$		
DESIGNED: <b>Ty Yin</b>	DATE: <b>03/15/12</b>	<b>PART NO:</b> <b>PM5-A2031-XX.XX</b>
CHECKED: <b>B. Oliver</b>	DATE: <b>03/15/12</b>	
		<b>CAGE CODE :</b> 32559 <b>SHEET #</b> 1 OF 1
<small>CAD GENERATED DOCUMENT, DO NOT MEASURE DRAWING.</small>		