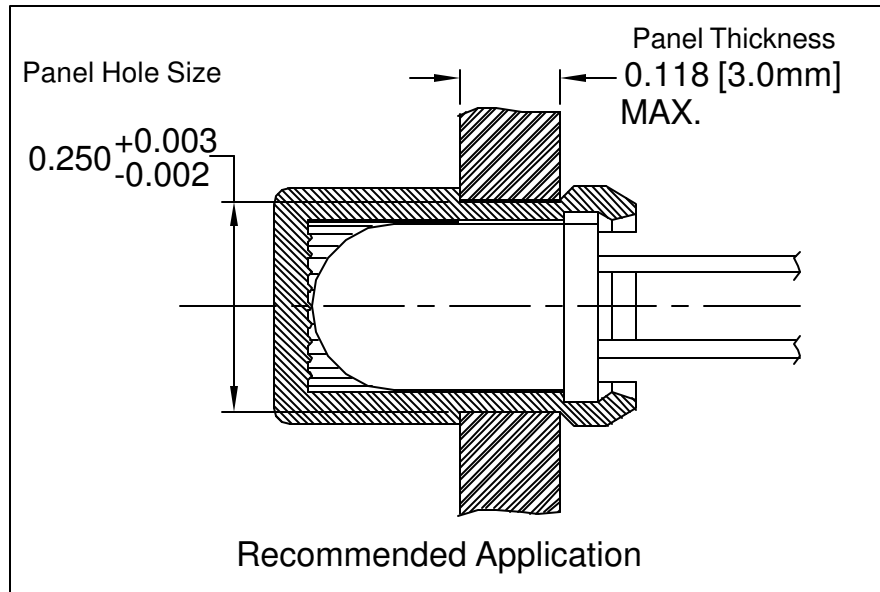
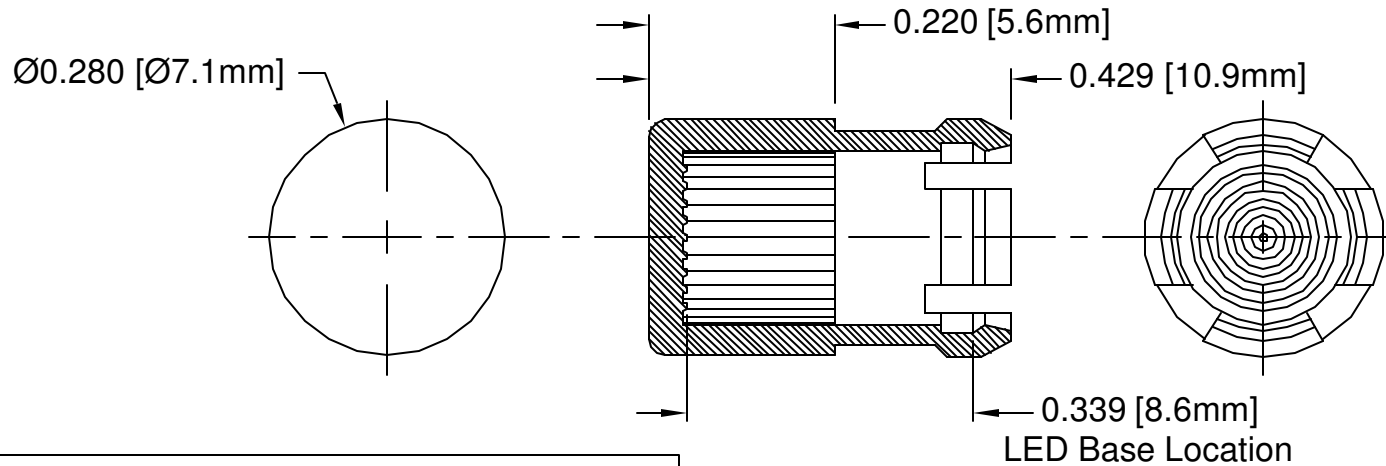


REV.	DESCRIPTION	DATE	APPROVED
A	Engineering Release.	01/19/05	M. C.



Part #	Color
LC5-C	Clear
LC5-C AR	Amber
LC5-C BE	Blue
LC5-C GN	Green
LC5-C RD	Red
LC5-C YW	Yellow

- MATERIAL: POLYCARBONATE, 94V-0, CLEAR. BIVAR MATERIAL CODE 47-CR. SAM YANG CORPORATION POLYCARBONATE 3025N2 CLEAR.
- GENERAL SPECIFICATIONS: BIVAR MOLDED COMPONENT SPECIFICATION BV00-E101.

STANDARD TOLERANCE (UNLESS OTHERWISE SPECIFIED)		BIVAR®	
(UNLESS OTHERWISE SPECIFIED)		4 THOMAS, IRVINE, CA. 92618	
DECIMALS	ANGULAR	TEL: (949) 951-8808 FAX: (949) 951-3974	
.X ± .1	X° ± 1°	TITLE: T-1 ¼ (5mm) LENS CAP	
.XX ± .01		DESIGNED: David Green	DATE: 01/19/05
.XXX ± .005		CHECKED: T. Yin	DATE: 01/19/05
		PART NO: LC5-C XX	REVISION: A
		CAGE CODE : 32559	SHEET # 1 OF 1
CAD GENERATED DOCUMENT. DO NOT MEASURE DRAWING.			