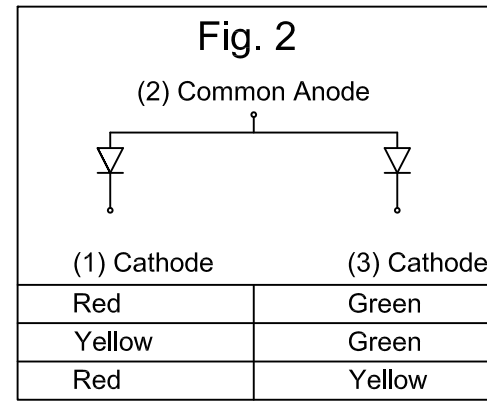
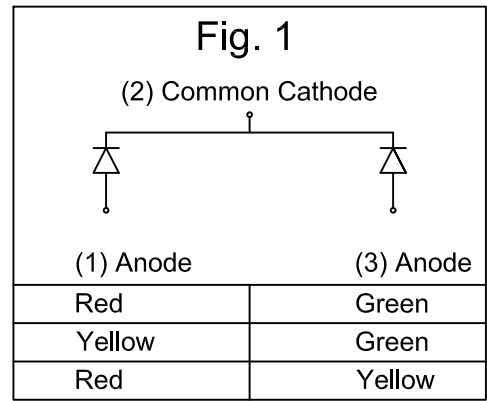
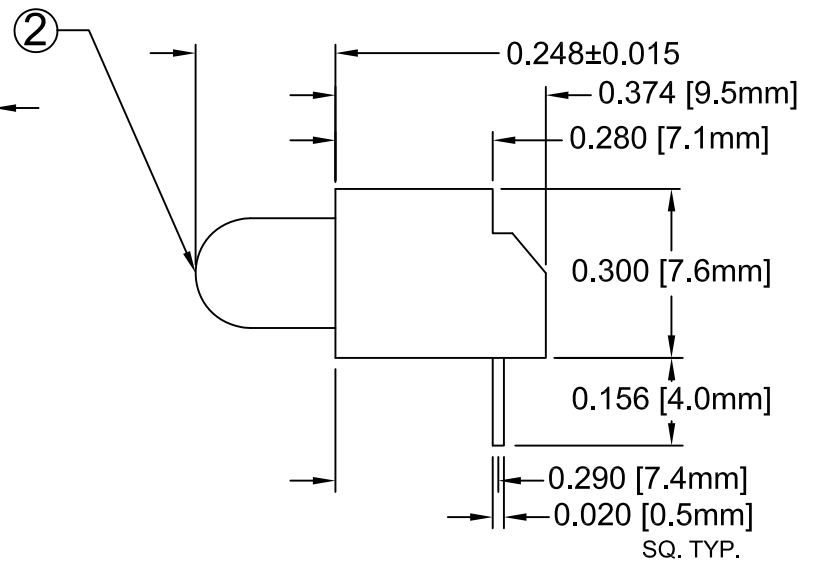
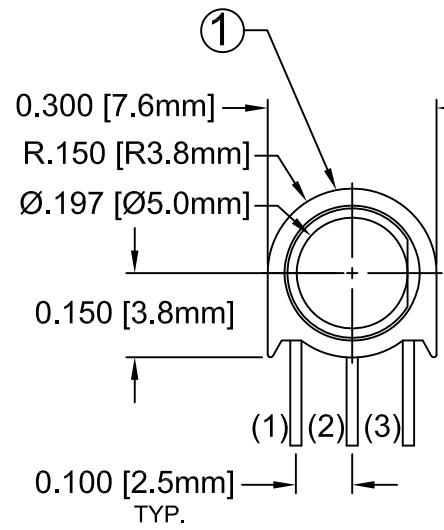
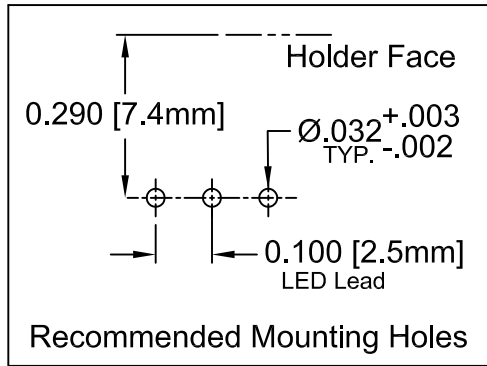


ITEM	Q'TY	PART NUMBER	PART DESCRIPTION
1	1	H-178C-3	T-1¼ (5mm) Single-Level Tri-Lead LED Holder, 90° Mount
2	1	5BC-3-XXXX-F	T-1¼ (5mm) Bi-Color/Tri-Color Flanged LED, See Page 2

REV.	DESCRIPTION	DATE	APPROVED
A	Engineering Update w/o Changes	03/05/04	M. C.
B	Corrected Typo H178CBC-3-BFrom "Yellow/HE Red" to "Green/HE Red"	09/17/04	M. C.
C	LED Protrusion Tolerance Update.	04/27/05	M. C.
D	Obsolete H178CBC-3-B & H178CBC-3-Y/G-B.	09/24/08	M. C.





ABSOLUTE MAXIMUM RATINGS (Ta=25° C)

REVERSE VOLTAGE	_____	5V
REVERSE CURRENT	_____	100uA
OPERATING TEMPERATURE RANGE	_____	-40° C - 80° C
STORAGE TEMPERATURE	_____	-40° C - 100° C
LEAD SOLDERING TEMPERATURE(1/16" FROM BODY)	_____	260° C FOR 5 SECONDS

STANDARD TOLERANCE (UNLESS OTHERWISE SPECIFIED)		BIVAR [®] 4 THOMAS, IRVINE, CA. 92618 TEL: (949) 951-8808 FAX: (949) 951-3974
DECIMALS	ANGULAR	
.X ±.1	X° ± 1°	
.XX ±.02		 TITLE: T-1¼ (5MM) BI-COLOR 3 LEAD 90° SINGLE-LEVEL LED ASSY
.XXX ±.010		
DESIGNED: Ty Yin	DATE: 03/05/04	PART NO: H178CBC-3-XXXX REVISION: D
CHECKED: D. Green	DATE: 03/05/04	
		CAGE CODE : 32559 SHEET # 1 OF 2
CAD GENERATED DOCUMENT, DO NOT MEASURE DRAWING.		

REV.	DESCRIPTION	DATE	APPROVED
	SEE SHEET#1.		

LED Assy. No.	Peak Wave Length λ_p (nm)	Emitted Color	Lens Appearance	Abs. Max. Rating	Electro-Optical Data @ 20ma			Viewing Angle $2\theta \frac{1}{2}$ (Deg)	LED P/N
				If (mA)	Vf (V)		Iv (mcd)		
					TYP	MAX	TYP		
H178CBC-3 (Fig. 1)	625	HE RED	WHITE DIFFUSED	30	2.0	2.8	35	40	5BC-3-F
	568	GREEN		30	2.1	2.8	35		
H178CBC-3-Y/G (Fig. 1)	590	YELLOW	WHITE DIFFUSED	30	2.0	2.8	30	40	5BC-3-Y/G-F
	568	GREEN		30	2.1	2.8	35		
H178CBC-3-CA (Fig. 2)	625	HE RED	WHITE DIFFUSED	30	2.0	2.8	4	40	5BC-3-CA-F
	568	GREEN		30	2.1	2.8	6		
H178CBC-3-Y/G-CA (Fig. 2)	590	YELLOW	WHITE DIFFUSED	30	2.0	2.8	4	40	5BC-3-Y/G-CA-F
	568	GREEN		30	2.1	2.8	6		

STANDARD TOLERANCE (UNLESS OTHERWISE SPECIFIED) $\pm 10\%$ ALL VALUES <u>ANGULAR</u> $X^\circ \pm 5^\circ$		 BIVAR [®] 4 THOMAS, IRVINE, CA. 92618 TEL: (949) 951-8808 FAX: (949) 951-3974	
			
DESIGNED: Ty Yin	DATE: 03/05/04	PART NO: H178CBC-3-XXXX	REVISION: D
CHECKED: D. Green	DATE: 03/05/04	CAGE CODE : 32559	SHEET # 2 OF 2
CAD GENERATED DOCUMENT, DO NOT MEASURE DRAWING.			