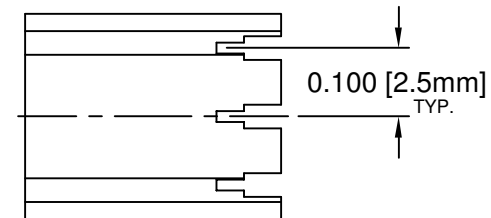
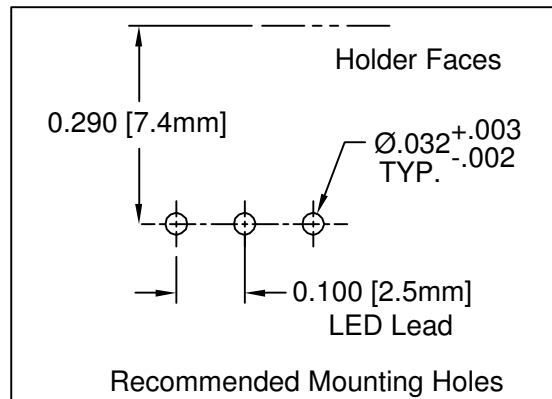
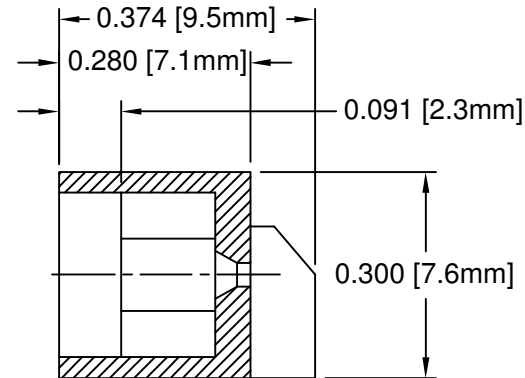
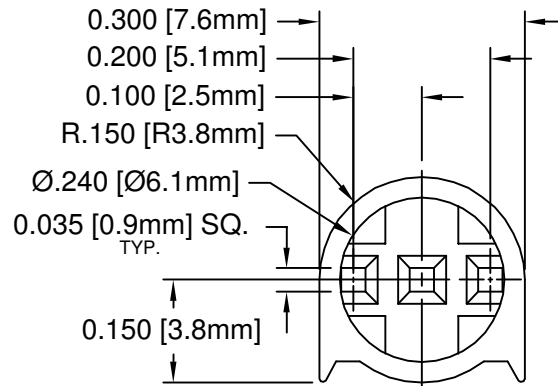


REV.	DESCRIPTION	DATE	APPROVED
A	Engineering Update w/o Changes	02/26/04	M. C.



2. MATERIAL: NYLON 6/6, 94V-0, BLACK. BIVAR MATERIAL CODE 22-BK.
RTP POLYAMIDE NYLON 6/6, 0200 FR, BLACK OR MODIFIED PLASTICS MN6/6-SE BK.
1. GENERAL SPECIFICATIONS: BIVAR MOLDED COMPONENT SPECIFICATION BV00-E101.

STANDARD TOLERANCE (UNLESS OTHERWISE SPECIFIED)		BIVAR®	
DECIMALS	ANGULAR	4 THOMAS, IRVINE, CA. 92618	
.X ±.1	X° ±1°	TEL: (949) 951-8808 FAX: (949) 951-3974	
.XX ±.01		TITLE: T-1¼ (5mm) TRI-LEAD LED HOLDER	
.XXX ±.005		PART NO: H-178C-3	REVISION: A
DESIGNED: Shane Irving	DATE: 02/08/99	CAGE CODE : 32559	SHEET # 1 OF 1
CHECKED: D. Green	DATE: 02/26/04	CAD GENERATED DOCUMENT, DO NOT MEASURE DRAWING.	