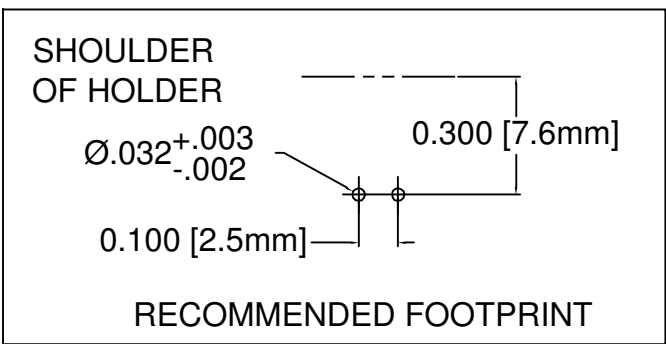
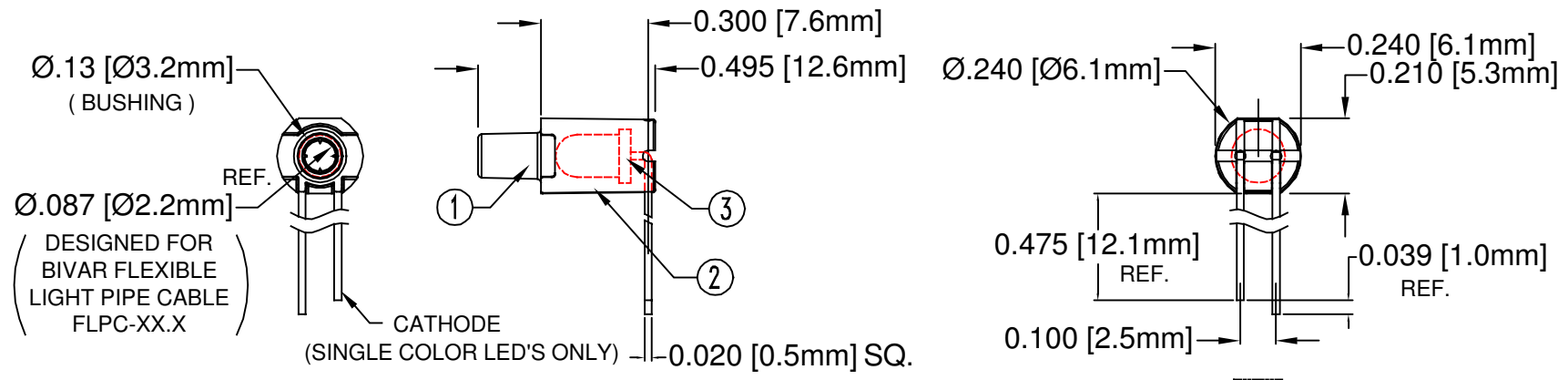


ITEM	QTY	PART NUMBER	PART DESCRIPTION
1	1	PML3-1	FLEXIBLE LIGHT-PIPE HOLDER, BUSHING
2	1	PML3-2	FLEXIBLE LIGHT-PIPE HOLDER, BODY
3	1	3SUGCL-F	T-1 (3mm) LED FLANGED



REV.	DESCRIPTION	DATE	APPROVED
A	Engineering Release.	02/22/07	M. C.



LED Part No.	Chip			Lens Appearance	Absolute Maximum Ratings				Electro-Optical Data @ 2mA			Viewing Angle (Deg)
	Material	Peak Wave Length $\lambda_p$ (nm)	Emitted Color		$\Delta\lambda$ (nm)	Pd (mW)	If (mA)	Peak If (mA)	Vf (V)	Iv (mcd)		
									Typ.	Max.	Typ.	
3SUGCL-F	AlInGaP/GaAs	573	YELLOW GREEN	WATER CLEAR	15	14	7	5	1.8	2.2	70	35

## ABSOLUTE MAXIMUM RATINGS (Ta = 25°C)

REVERSE VOLTAGE \_\_\_\_\_ 5V  
 REVERSE CURRENT (VR=5V) \_\_\_\_\_ 100µA  
 OPERATING TEMPERATURE RANGE \_\_\_\_\_ -40°C ~ 80°C  
 STORAGE TEMPERATURE \_\_\_\_\_ -40°C ~ 85°C  
 LEAD SOLDERING TEMPERATURE (1/16" FROM BODY) \_\_\_\_\_ 260°C for 5 Seconds

STANDARD TOLERANCE (UNLESS OTHERWISE SPECIFIED)		 4 THOMAS, IRVINE, CA. 92618 TEL: (949) 951-8808 FAX: (949) 951-3974	
DECIMALS	ANGULAR		
.X ± .1	X° ± 1°		
.XX ± .02		 <b>TITLE:</b> FLEXIBLE LIGHT PIPE ADAPTER, RIGHT ANGLE, W/LED	
.XXX ± .010			
DESIGNED:	DATE:	<b>PART NO:</b> FLPR-SUGL <b>REVISION:</b> A	
<b>Dan Beckman</b>	<b>02/22/07</b>		
CHECKED:	DATE:	<b>CAGE CODE :</b> 32559 <b>SHEET #</b> 1 <b>OF</b> 1 <small>CAD GENERATED DOCUMENT, DO NOT MEASURE DRAWING.</small>	
<b>T. Yin</b>	<b>02/22/07</b>		