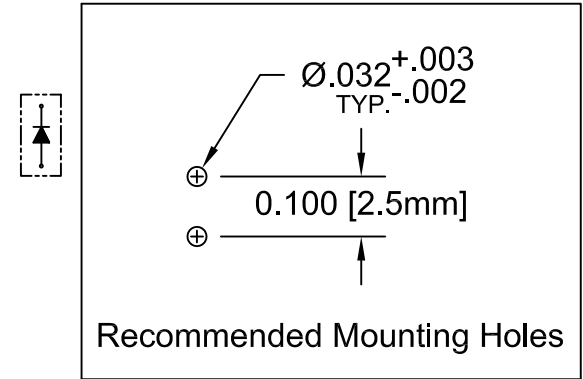
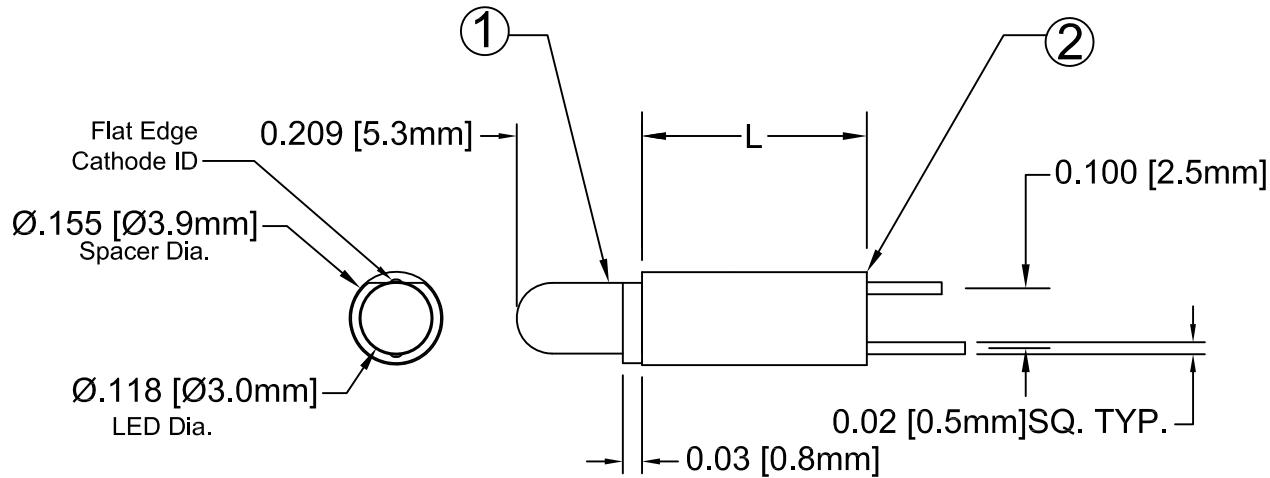


ITEM	Q'TY	PART NUMBER	PART DESCRIPTION
1	1	3XX5V-F	T-1 (3mm) Flanged LED, 5 Volt
2	1	ELM5XXX	Extruded, Self-Retaining Narrow LED Spacer

REV.	DESCRIPTION	DATE	APPROVED
A	Engineering Release.	07/25/07	M. C.
B	Updated Pg. 2 to contain -F LEDs	11/15/07	M. C.
C	Removed Tolerance Note.	09/03/08	M. C.
D	Added Tape & Reel Options.	06/07/11	T. Y.
E	Tape & Reel Design Update.	11/21/11	T. Y.




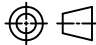
ABSOLUTE MAXIMUM RATINGS (Ta=25°C)

REVERSE CURRENT	_____	100uA
OPERATING TEMPERATURE RANGE	_____	-25° C - 85° C
STORAGE TEMPERATURE	_____	-30° C - 100° C
LEAD SOLDERING TEMPERATURE(1/16" FROM BODY)	_____	260° C FOR 5 SECONDS

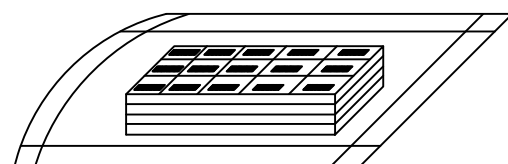
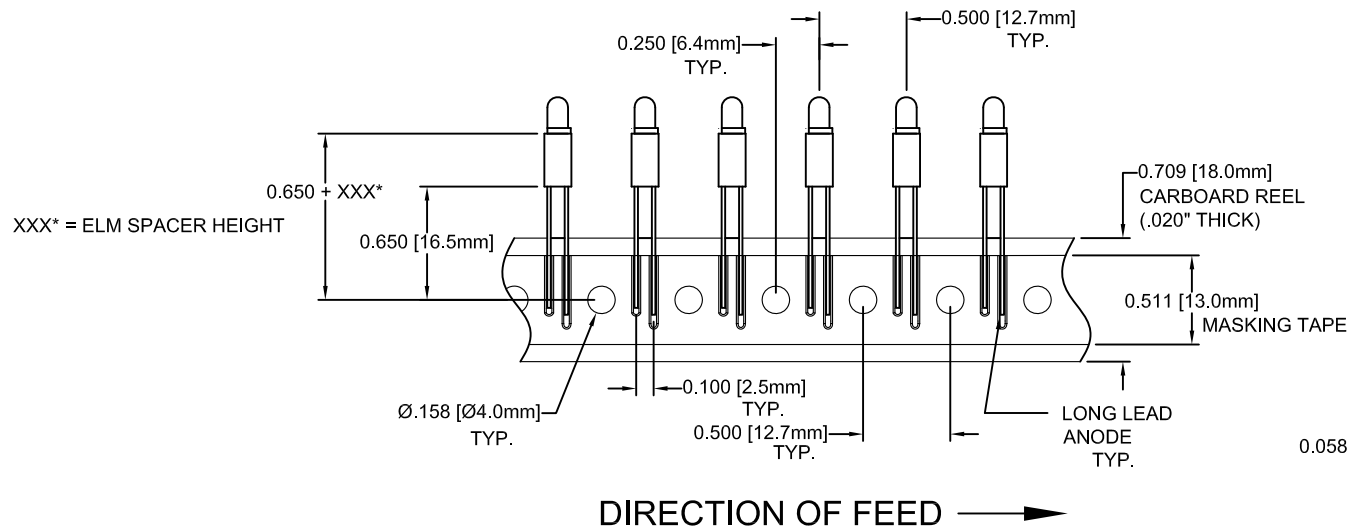
STANDARD TOLERANCE (UNLESS OTHERWISE SPECIFIED)		BIVAR [®] 4 THOMAS, IRVINE, CA. 92618 TEL: (949) 951-8808 FAX: (949) 951-3974
DECIMALS	ANGULAR	
.X ± .1	X° ± 1°	
.XX ± .02		
.XXX ± .010		
DESIGNED: Dan Beckman	DATE: 07/25/07	TITLE: EXTRUDED VERTICAL T-1 (3mm) LED NARROW SPACER PROFILE ASSY PART NO: ELM5XXX3XX5V REVISION: E
CHECKED: T. Yin	DATE: 07/25/07	
		CAGE CODE : 32559 SHEET # 1 OF 3 <small>CAD GENERATED DOCUMENT, DO NOT MEASURE DRAWING.</small>

REV.	DESCRIPTION	DATE	APPROVED
	SEE SHEET#1.		

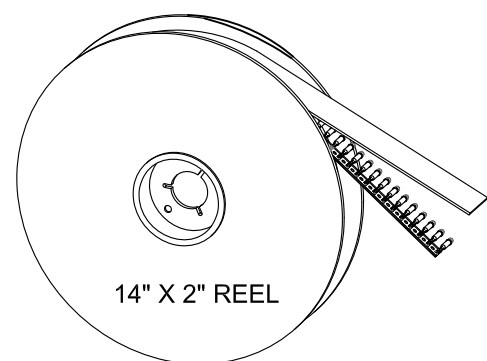
LED Part No.	Chip			Lens Appearance	Absolute Max. Ratings				Electro-Optical Data @ 5V			Viewing Angle 2θ ½ (Deg)
	Material	Peak Wave Length λp(nm)	Emitted Color		Δλ (nm)	Pd (mW)	If (mA)	Peak If(mA)	Vf (V)		Iv (mcd)	
									TYP	MAX	TYP	
3GD5V-F	GaP/GaP	568	GREEN	DIFFUSED	30	80	8	12	-	5.0	30.0	45
3YD5V-F	GaAsP/GaP	585	YELLOW	DIFFUSED	35	80	8	12	-	5.0	20.0	45
3AD5V-F	GaAsP/GaP	610	AMBER	DIFFUSED	17	80	8	12	-	5.0	30.0	45
3HD5V-F	GaAsP/GaP	640	HE RED	DIFFUSED	40	80	8	12	-	5.0	30.0	45
3RD5V-F	GaAsP/GaAs	700	RED	DIFFUSED	100	80	8	12	-	5.0	6.0	45

STANDARD TOLERANCE (UNLESS OTHERWISE SPECIFIED) ±10% ALL VALUES		 BIVAR [®] 4 THOMAS, IRVINE, CA. 92618 TEL: (949) 951-8808 FAX: (949) 951-3974	
ANGULAR X° ± 5°			
		TITLE: EXTRUDED VERTICAL T-1 (3mm) LED NARROW SPACER PROFILE ASSY	
		DESIGNED: Dan Beckman	DATE: 07/25/07
CHECKED: T. Yin	DATE: 07/25/07	CAGE CODE : 32559	SHEET # 2 OF 3
CAD GENERATED DOCUMENT, DO NOT MEASURE DRAWING.			

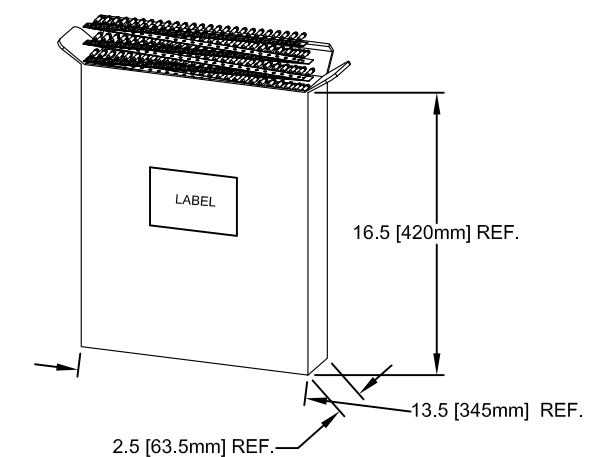
REV.	DESCRIPTION	DATE	APPROVED
	SEE SHEET #1		



STANDARD PACKAGING TRAY



TAPE & REEL
1,000 pcs / reel



AMMO PACK
2,000 pcs / box

- NOTE:
1. STANDARD PART NUMBERS ARE PACKAGED IN LOOSE PIECES USING PACKAGING TRAYS
 2. ADD "T" SUFFIX TO PART NUMBER FOR TAPE AND REEL PACKAGING OPTION (1,000 PCS/REEL)
 3. ADD "A" SUFFIX TO PART NUMBER FOR AMMO PACK OPTION (2,000 PCS/BOX)
 4. TAPE AND REEL PACKAGING COMPLY TO EIA-468-C

STANDARD TOLERANCE (UNLESS OTHERWISE SPECIFIED)			4 THOMAS, IRVINE, CA. 92618 TEL: (949) 951-8808 FAX: (949) 951-3974	
DECIMALS	ANGULAR			
.X ± .1	X° ± 1°		TITLE: EXTRUDED VERTICAL T-1 (3mm) LED NARROW SPACER PROFILE ASSY	
.XX ± .02				PART NO: ELM5XXX3XX5V
.XXX ± .010				REVISION: E
DESIGNED: Dan Beckman	DATE: 07/25/07	CAGE CODE : 32559	SHEET # 3 OF 3	
CHECKED: T. Yin	DATE: 07/25/07	CAD GENERATED DOCUMENT, DO NOT MEASURE DRAWING.		