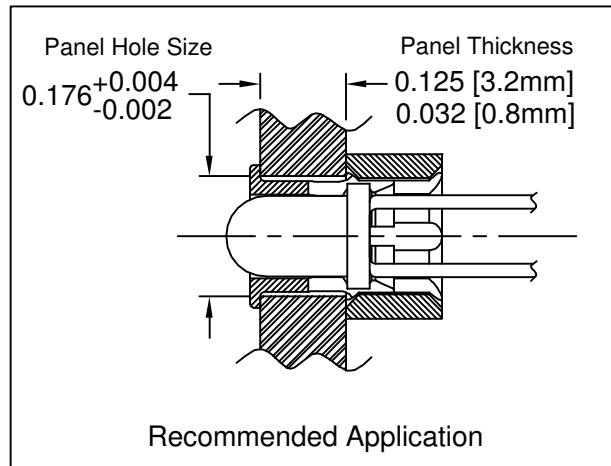
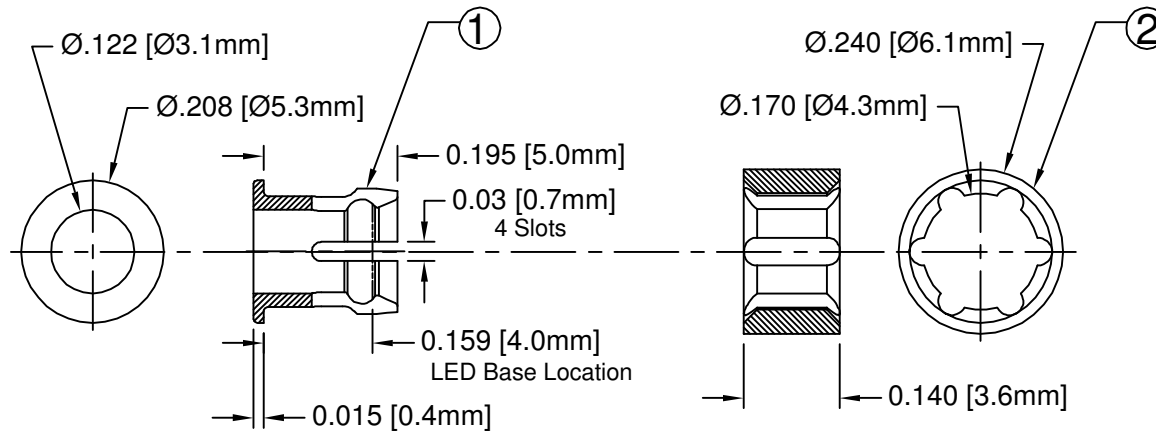


ITEM	Q'TY	PART NUMBER	PART DESCRIPTION
1	1	C-104	T-1 (3mm) CLIP
2	1	R-104	T-1 (3mm) RING

REV.	DESCRIPTION	DATE	APPROVED
D	Engineering Update w/o Changes	02/26/04	M. C.



- MATERIAL: NYLON 6/6, 94V-0, BLACK. BIVAR MATERIAL CODE 22-BK.
RTP POLYAMIDE NYLON 6/6, 0200 FR, BLACK OR MODIFIED PLASTICS MN6/6-SE BK.
- MATERIAL: NYLON 6/6, 94V-2, BLACK. BIVAR MATERIAL CODE 21-NL-BK.
TICONA NYLON 1310, NYLON 6/6, BLACK.
- GENERAL SPECIFICATIONS: BIVAR MOLDED COMPONENT SPECIFICATION BV00-E101.

STANDARD TOLERANCE (UNLESS OTHERWISE SPECIFIED)		BIVAR [®]	
DECIMALS	ANGULAR	4 THOMAS, IRVINE, CA. 92618 TEL: (949) 951-8808 FAX: (949) 951-3974	
.X ± .1	X° ± 1°	TITLE: T-1 (3mm) LED CLIP AND RING SET	
.XX ± .01		DESIGNED: Shane Irving	DATE: 11/30/01
.XXX ± .005		CHECKED: D. Green	DATE: 11/11/02
		PART NO: CR-104	REVISION: D
		CAGE CODE : 32559	SHEET # 1 OF 1
CAD GENERATED DOCUMENT, DO NOT MEASURE DRAWING.			