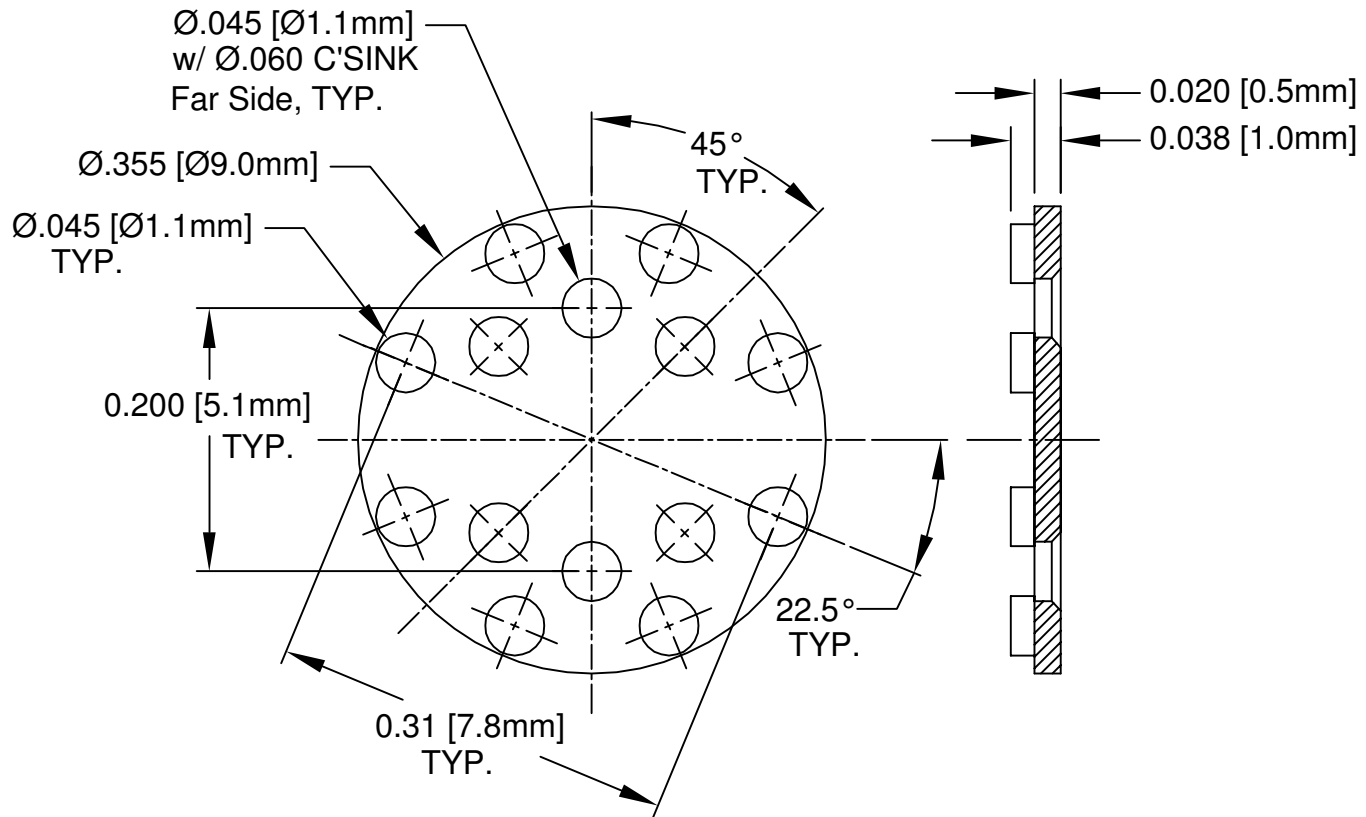



REV.	DESCRIPTION	DATE	APPROVED
A	Engineering Update w/o Changes	02/23/04	M. C.



2. MATERIAL: NYLON 6/6, 94V-2, WHITE. BIVAR MATERIAL CODE 04-WE.
 BASF ULTRAMID NYLON 6/6 A3K WHITE.
1. GENERAL SPECIFICATIONS: BIVAR MOLDED COMPONENT SPECIFICATION BV00-E101.

STANDARD TOLERANCE (UNLESS OTHERWISE SPECIFIED)		 4 THOMAS, IRVINE, CA. 92618 TEL: (949) 951-8808 FAX: (949) 951-3974	
DECIMALS	ANGULAR	TITLE: PERM-O-PAD TO-5 AND IC MOUNT	
.X $\pm .1$	$X^\circ \pm 1^\circ$	PART NO: 602-038	
.XX $\pm .01$		REVISION: A	
.XXX $\pm .005$		CAGE CODE : 32559	SHEET # 1 OF 1
DESIGNED: Ty Yin	DATE: 02/23/04	CAD GENERATED DOCUMENT. DO NOT MEASURE DRAWING.	
CHECKED: D. Green	DATE: 02/23/04		