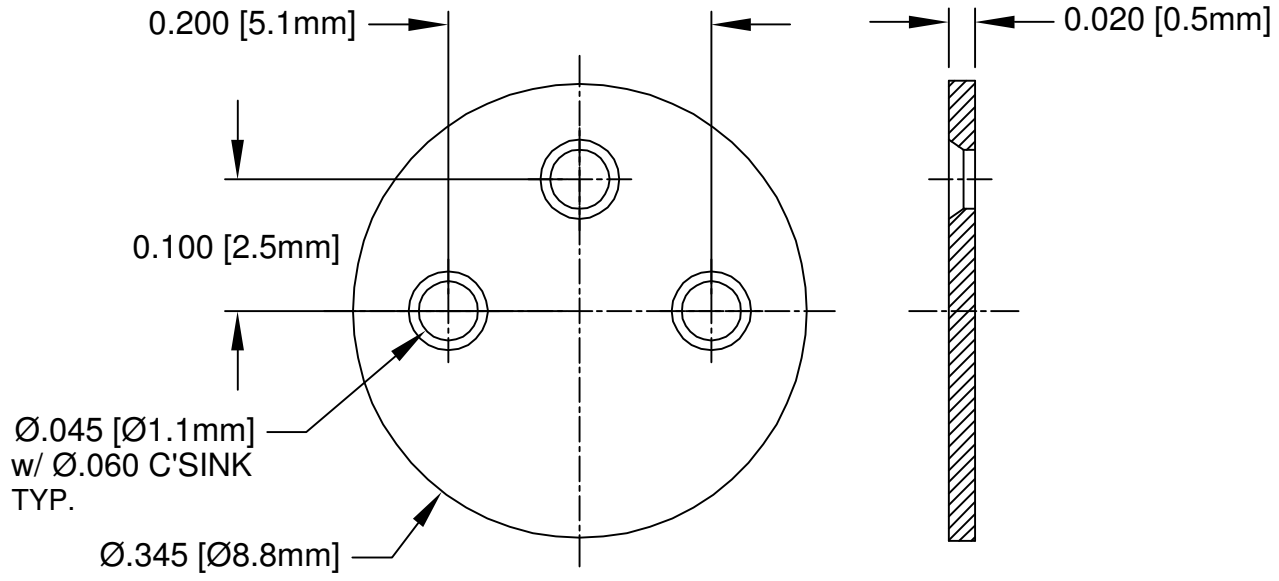


REV.	DESCRIPTION	DATE	APPROVED
B	Engineering Update w/o Changes	02/23/04	M. C.



- 2. MATERIAL: NYLON 6/6, 94V-2, WHITE. BIVAR MATERIAL CODE 04-WE. BASF ULTRAMID NYLON 6/6 A3K WHITE.
- 1. GENERAL SPECIFICATIONS: BIVAR MOLDED COMPONENT SPECIFICATION BV00-E101.

STANDARD TOLERANCE (UNLESS OTHERWISE SPECIFIED) DECIMALS ANGULAR .X ± .1 X° ± 1° .XX ± .01 .XXX ± .005			
		4 THOMAS, IRVINE, CA. 92618 TEL: (949) 951-8808 FAX: (949) 951-3974	
		TITLE: PERM-O-PAD TO-5 MOUNT	
DESIGNED: Shane Irving	DATE: 09/15/98	PART NO: 520-021	REVISION: B
CHECKED: M. Chen	DATE: 02/07/03	CAGE CODE : 32559	SHEET # 1 OF 1
<small>CAD GENERATED DOCUMENT, DO NOT MEASURE DRAWING.</small>			