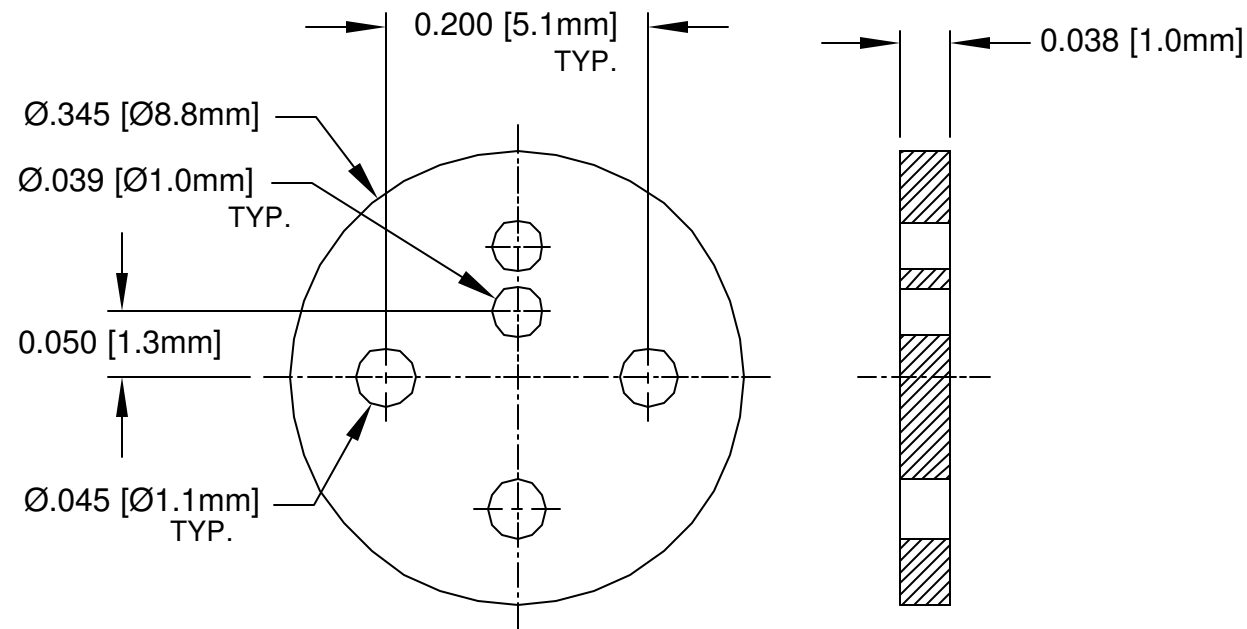


REV.	DESCRIPTION	DATE	APPROVED
A	Engineering Update w/o Changes	02/23/04	M. C.
B	Changed Dimension	04/06/06	M. C.



- MATERIAL: NYLON 6/6, 94V-2, NATURAL. BIVAR MATERIAL CODE 21-NL.
TICONA NYLON 1310, NYLON 6/6, NATURAL.
- MATERIAL: NYLON 6/6, 94V-2, WHITE. BIVAR MATERIAL CODE 04-WE.
BASF ULTRAMID NYLON 6/6 A3K WHITE.
- GENERAL SPECIFICATIONS: BIVAR MOLDED COMPONENT SPECIFICATION BV00-E101.

STANDARD TOLERANCE (UNLESS OTHERWISE SPECIFIED)		BIVAR [®]	
DECIMALS	ANGULAR	4 THOMAS, IRVINE, CA 92618 TEL: (949) 951-8808 FAX: (949) 951-3974	
.X ±.1	X° ± 1°	TITLE: PERM-O-PAD TO-5 MOUNT PART NO: 506-038 REVISION: B	
.XX ±.01			
.XXX ±.005			
DESIGNED: Shane Irving	DATE: 09/15/98	CAGE CODE : 32559	SHEET # 1 OF 1
CHECKED: M. Chen	DATE: 09/23/03	CAD GENERATED DOCUMENT. DO NOT MEASURE DRAWING.	