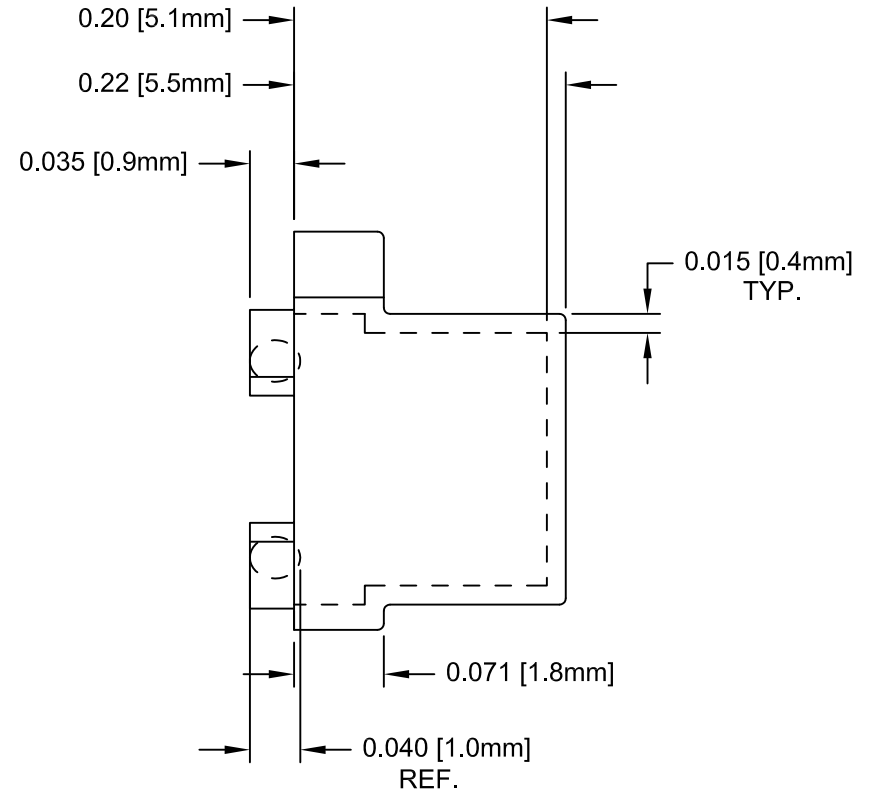
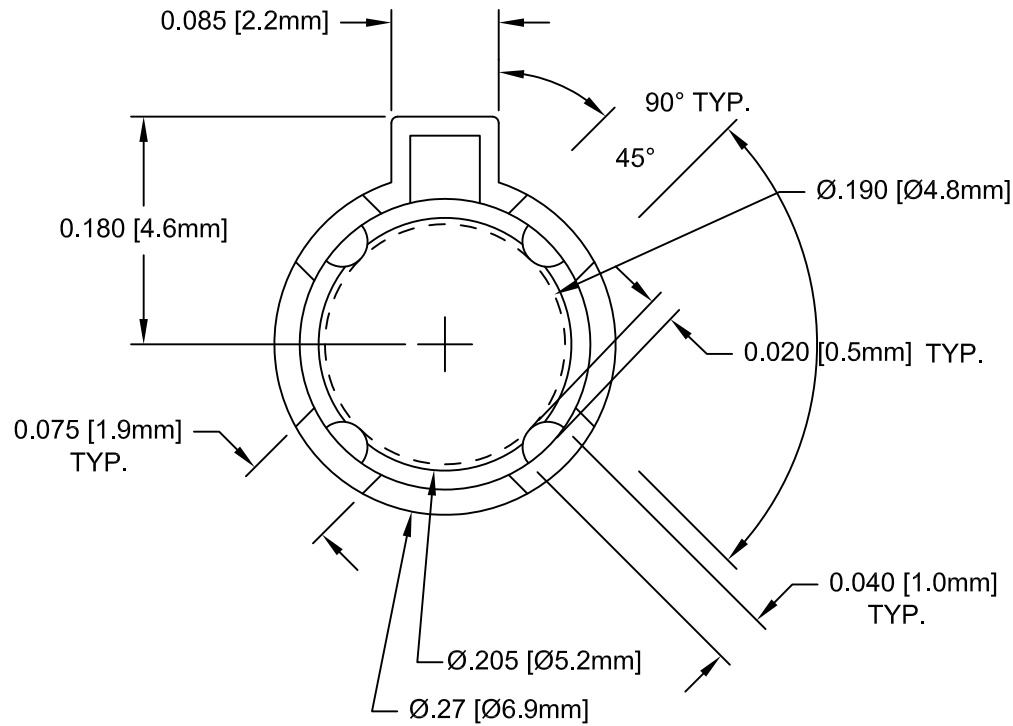


| REV. | DESCRIPTION | DATE | APPROVED |
|------|-----------------------|----------|----------|
| A | Engineering Release | 04/05/04 | M. C. |
| B | Engineering Update | 11/04/04 | M. C. |
| C | Request for Quotation | 07/12/11 | T. Y. |
| D | Dimensioned Bumps | 03/13/12 | T. Y. |



2. MATERIAL: NYLON 6/6, 94V-2, NATURAL. BIVAR MATERIAL CODE 03-NL.
 BASF ULTRAMID NYLON 6/6 A3K NATURAL.
1. GENERAL SPECIFICATIONS: BIVAR MOLDED COMPONENT SPECIFICATION BV00-E101.

| STANDARD TOLERANCE (UNLESS OTHERWISE SPECIFIED) | | BIVAR® | |
|--|---------|--|----------------|
| DECIMALS | ANGULAR | 4 THOMAS, IRVINE, CA. 92618 TEL: (949) 951-8808 FAX: (949) 951-3974 | |
| .X ± .1 | X° ± 1° | TITLE: TRANSISTOR CAP | |
| .XX ± .01 | | DESIGNED: Ty Yin | DATE: 04/05/04 |
| .XXX ± .005 | | CHECKED: D. Green | DATE: 04/05/04 |
| | | PART NO: 426-250 | REVISION: D |
| | | CAGE CODE : 32559 | SHEET # 1 OF 1 |
| CAD GENERATED DOCUMENT, DO NOT MEASURE DRAWING. | | | |