

| REVISONS |     |             |           |       |
|----------|-----|-------------|-----------|-------|
| P        | LYR | DESCRIPTION | DATE      | APPD  |
| C        |     | LOGO CHANGE | 20JUN2013 | TR KZ |

1. MATERIAL:  
 HOUSING: BLACK, THERMOPLASTIC, RATED UL 94V-0  
 SHIELD: COPPER ALLOY WITH NICKEL PLATING.  
 CONTACTS: PHOSPHER BRONZE  
 CONTACT PLATING: 0.05um MIN GOLD OVER  
 0.76um MIN PALLADIUM-NICKEL, AT MATING  
 INTERFACE CONTACT AREA
2. TRP LOGO, PART NUMBER, DATE CODE  
 AND COUNTRY OF ORIGIN, SHOWN APPROXIMATE AREA.  
 DATE CODE: YYWWD WHERE "YY" IS YEAR, "WW" IS WEEK,  
 "D" IS DAY OF WEEK, WITH SUNDAY=1.

5. RECOMMENDED MIN PCB THICKNESS 1.5mm (.062").
6. OPERATING TEMPERATURE: FROM 0°C TO 70°C.
7. DATUM AND BASIC DIMENSION ESTABLISHED BY CUSTOMER.
8. FOR HOLE SIZE AND PLATINGS, SEE SHEET 4.

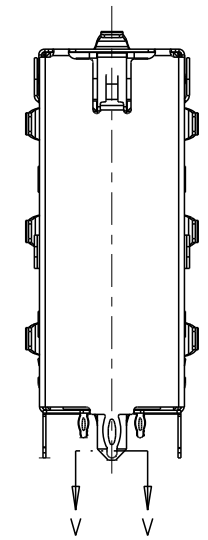
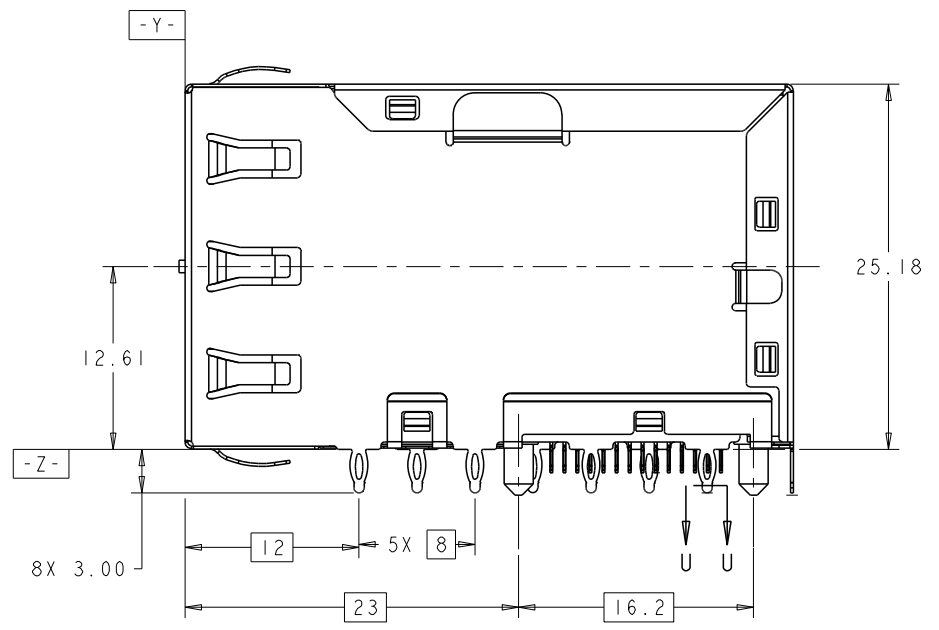
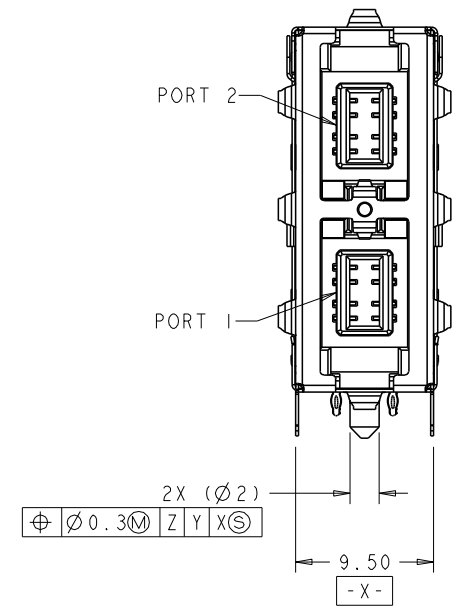
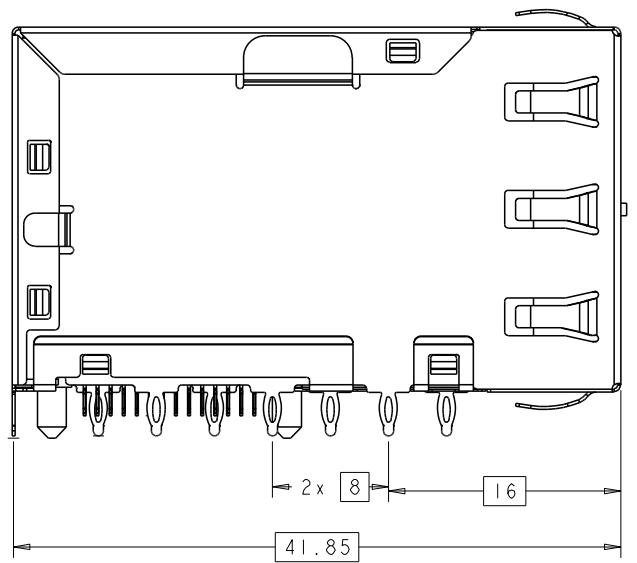
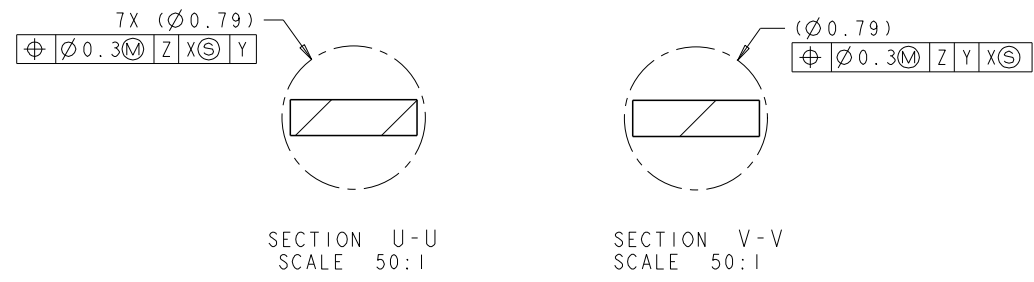
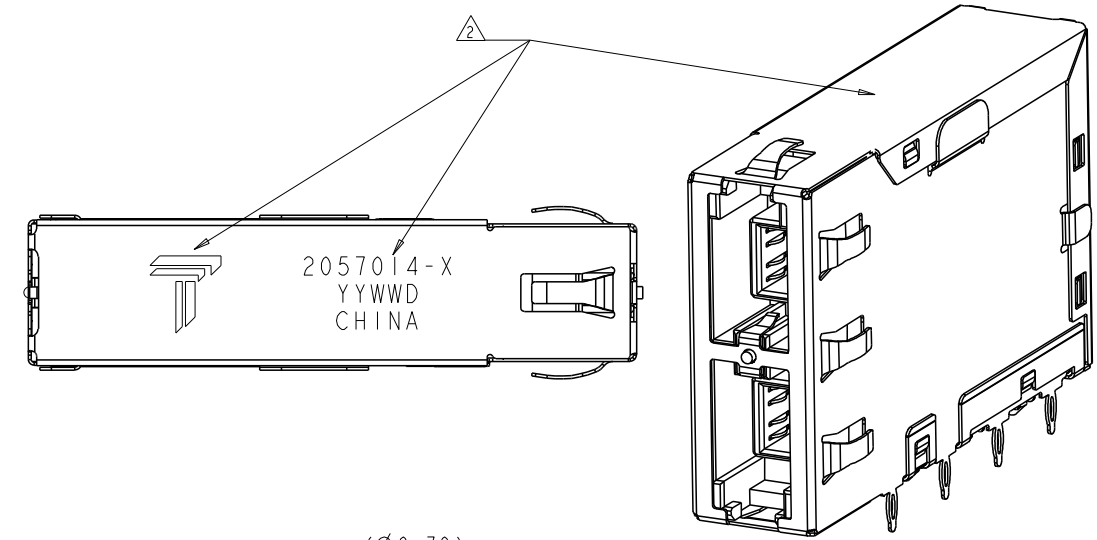
3. MAGNETICS:  
 - APPLICATION: 10/100/1000 BASE -T  
 - IMPEDANCE: 100 OHMS  
 - TRANSMIT OPEN CIRCUIT INDUCTANCE (OCL): 350uH (MIN)  
 @100KHZ, 0.1 VRMS WITH 8mA DC BIAS  
 FOR EACH TRANSFORMER OVER T=0°C--70°C.  
 - TURNS RATIO (CHIP:CABLE): 1:1 ALL PAIRS
- PERFORMANCE:  
 - ALL PAIRS ARE BI-DIRECTIONAL

| FREQUENCY    | *INSERTION LOSS | RETURN LOSS               | CROSSTALK ATTENUATION     | COMMON MODE REJECTION RATIO |
|--------------|-----------------|---------------------------|---------------------------|-----------------------------|
| 0.5MHz-1MHz  | 1.2dB (MAX)     | 18dB (MIN)                | 70dB (MIN)                | 30dB (MIN)                  |
| 1MHz-40MHz   | 1.2dB (MAX)     | 18dB (MIN)                | 33-20X LOG (F/80)dB (MIN) | 30dB (MIN)                  |
| 40MHz-100MHz | 1.2dB (MAX)     | 12-20X LOG (F/80)dB (MIN) | 33-20X LOG (F/80)dB (MIN) | 30dB (MIN)                  |

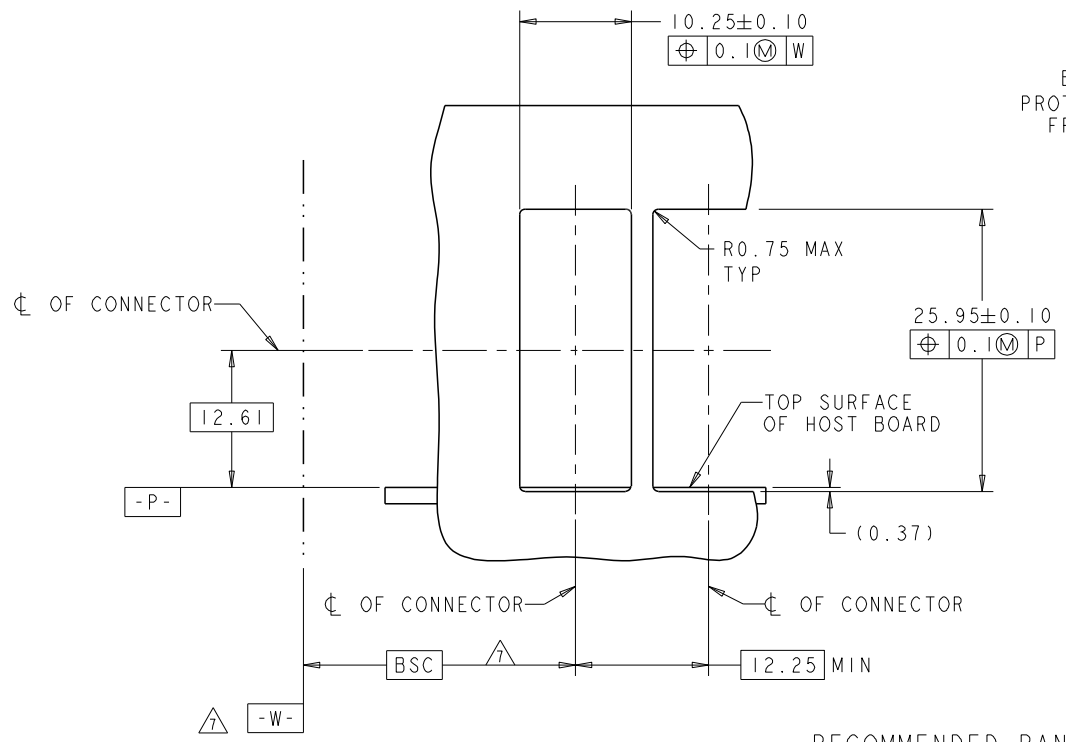
ALL MAGNETIC ELECTRICAL CHARACTERISTICS RATED AT T=25°C

- ISOLATION VOLTAGE: 2250VDC(MAX) FOR 60 SECONDS WITH A RISE TIME OF 500V/SEC. WITH ALL PORTS CONNECTED.

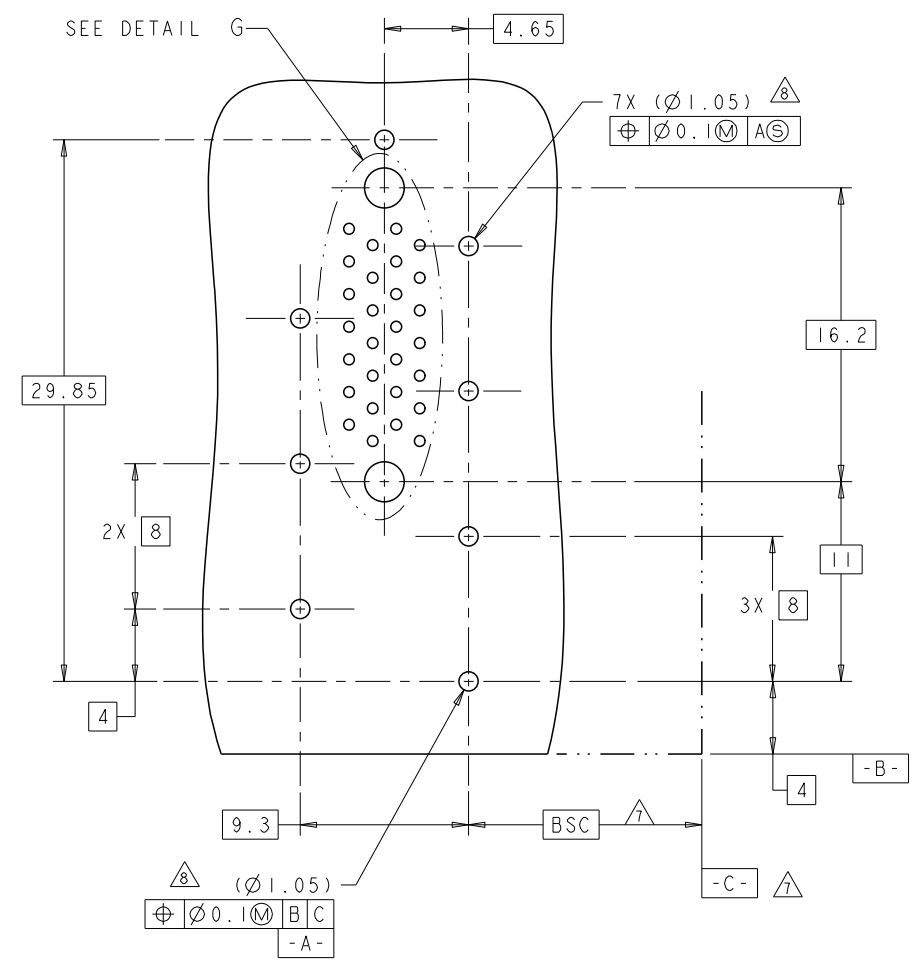
4. LED IS DRIVEN WITH CURRENT AT APPROX 20 mA  
 DOMINANT WAVELENGTH (λD): GREEN 573 nm TYP AT IF=20mA  
 FORWARD VOLTAGE (VF): GREEN 2.0V TYP at IF=20mA  
 DOMINANT WAVELENGTH (λD): RED 624 nm TYP AT IF=20mA  
 FORWARD VOLTAGE (VF): RED 2.0V TYP at IF=20mA  
 DOMINANT WAVELENGTH (λD): YELLOW 589 nm TYP AT IF=20mA  
 FORWARD VOLTAGE (VF): YELLOW 2.0V TYP at IF=20mA



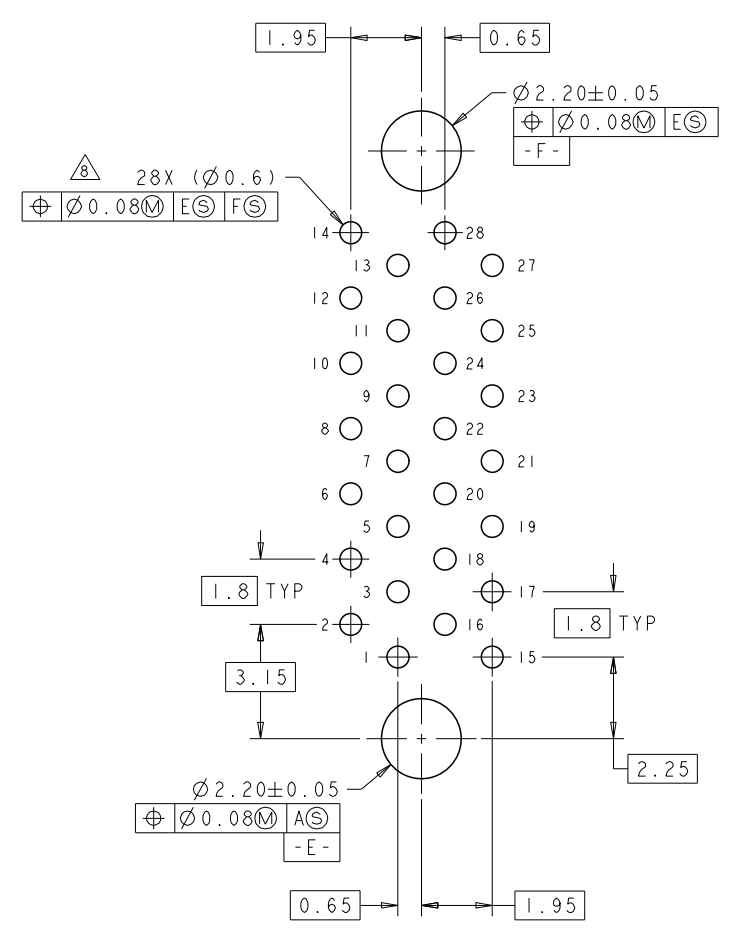
|  |             |                         |   |
|--|-------------|-------------------------|---|
| THIS DRAWING IS A CONTROLLED DOCUMENT. |             | OWN: R.TREA 18FEB2008   | TRP connector<br>Dongguan China                                       |
| DIMENSIONS: mm                         |             | CHK: R.HENRY 18FEB2008  |   |
| TOLERANCES UNLESS OTHERWISE SPECIFIED: |             | APPD: R.HENRY 18FEB2008 |   |
| 0 PLC ±                                | 1 PLC ±0.25 | 2 PLC ±                 | PRODUCT SPEC  |
| 3 PLC ±                                | 4 PLC ±     | ANGLES ±                | APPLICATION SPEC  |
| MATERIAL                               | FINISH      | WEIGHT                  | NAME: RECEPTACLE ASSEMBLY, 2X1, NON POE WITH MAGNETICS, RJ POINT FIVE |
| LED COLORS                             | PART NUMBER | CUSTOMER DRAWING        | SIZE: CAGE CODE DRAWING NO: A100779 ©=2057014                         |
| SCALE: 4:1                             |             |                         | SHEET 1 OF 4 REV C  |



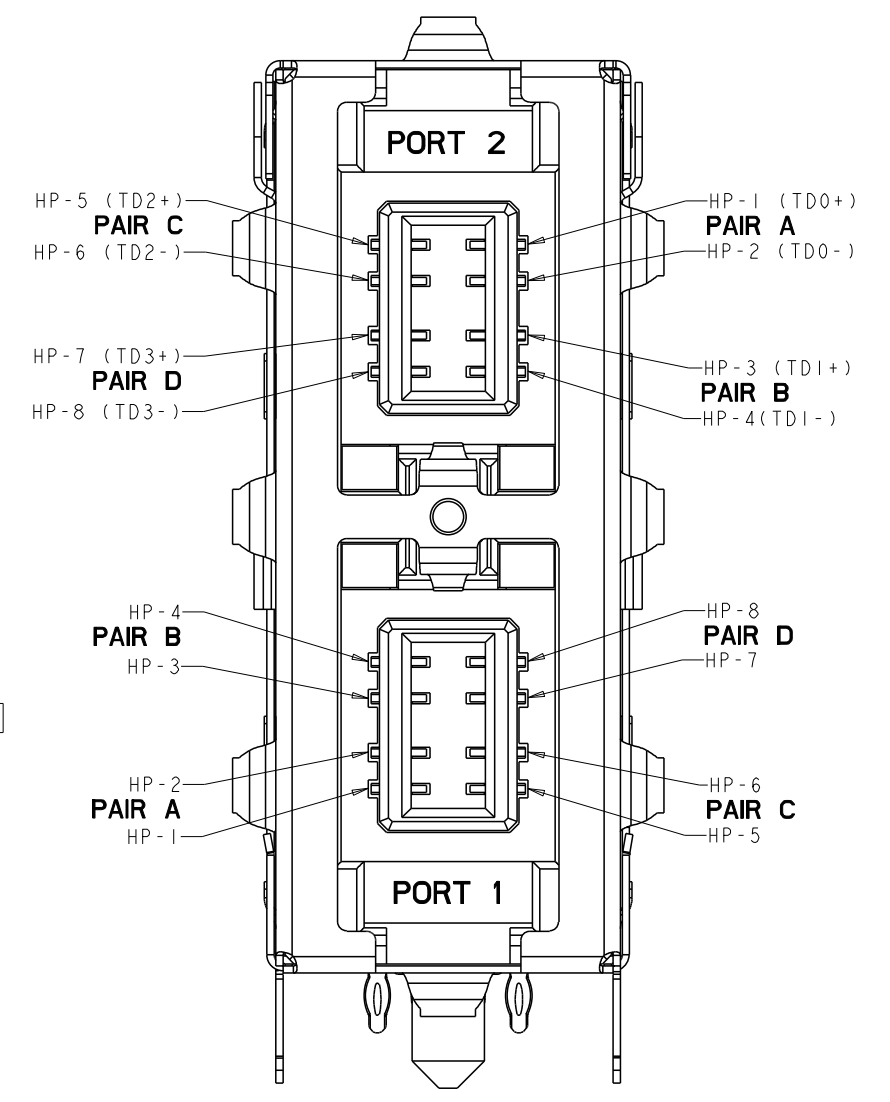
RECOMMENDED PANEL CUTOUT  
 SCALE 3:1



RECOMMENDED PCB LAYOUT  
 SCALE 5:1

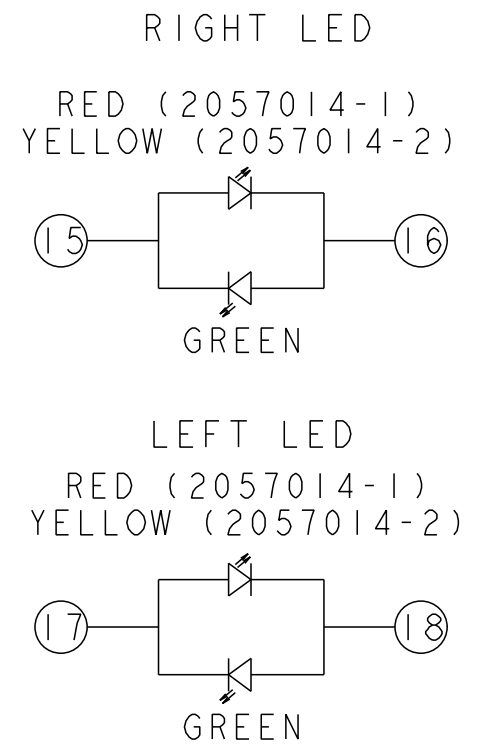
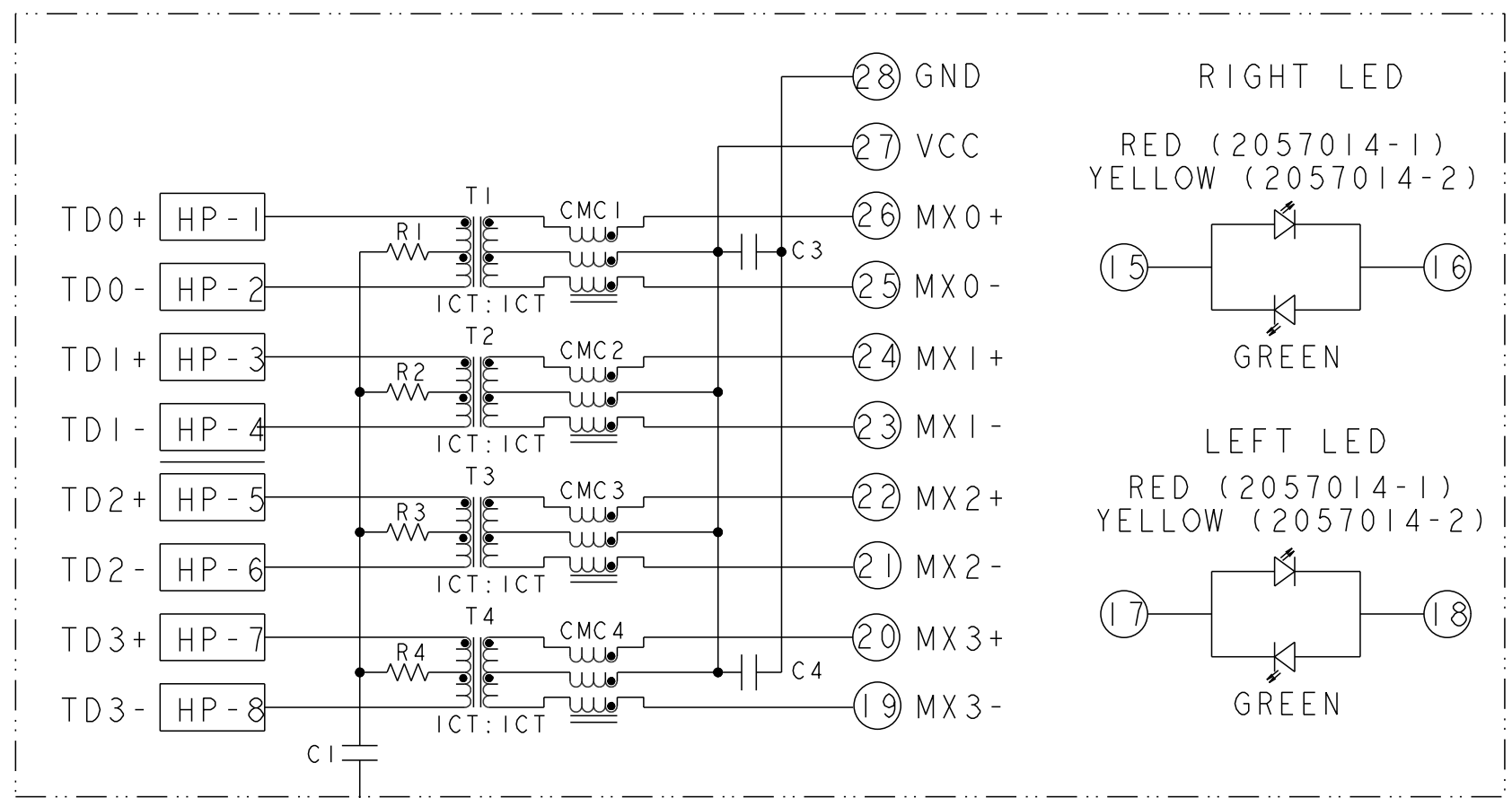


DETAIL G  
 BOARD PIN IDENTIFIERS  
 SCALE 10:1



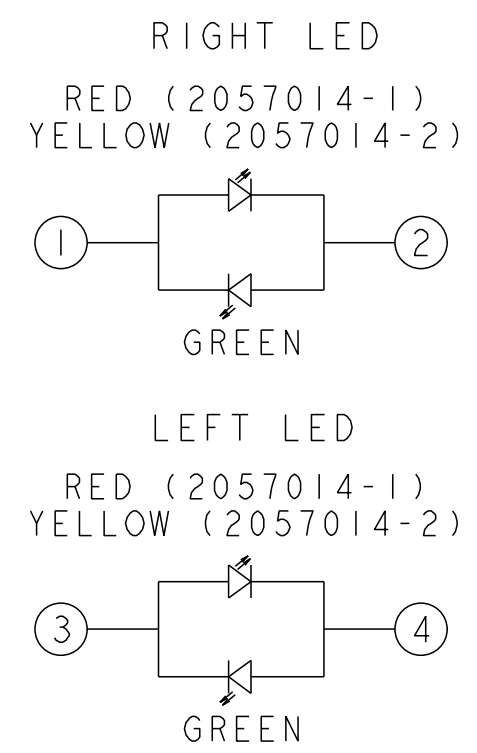
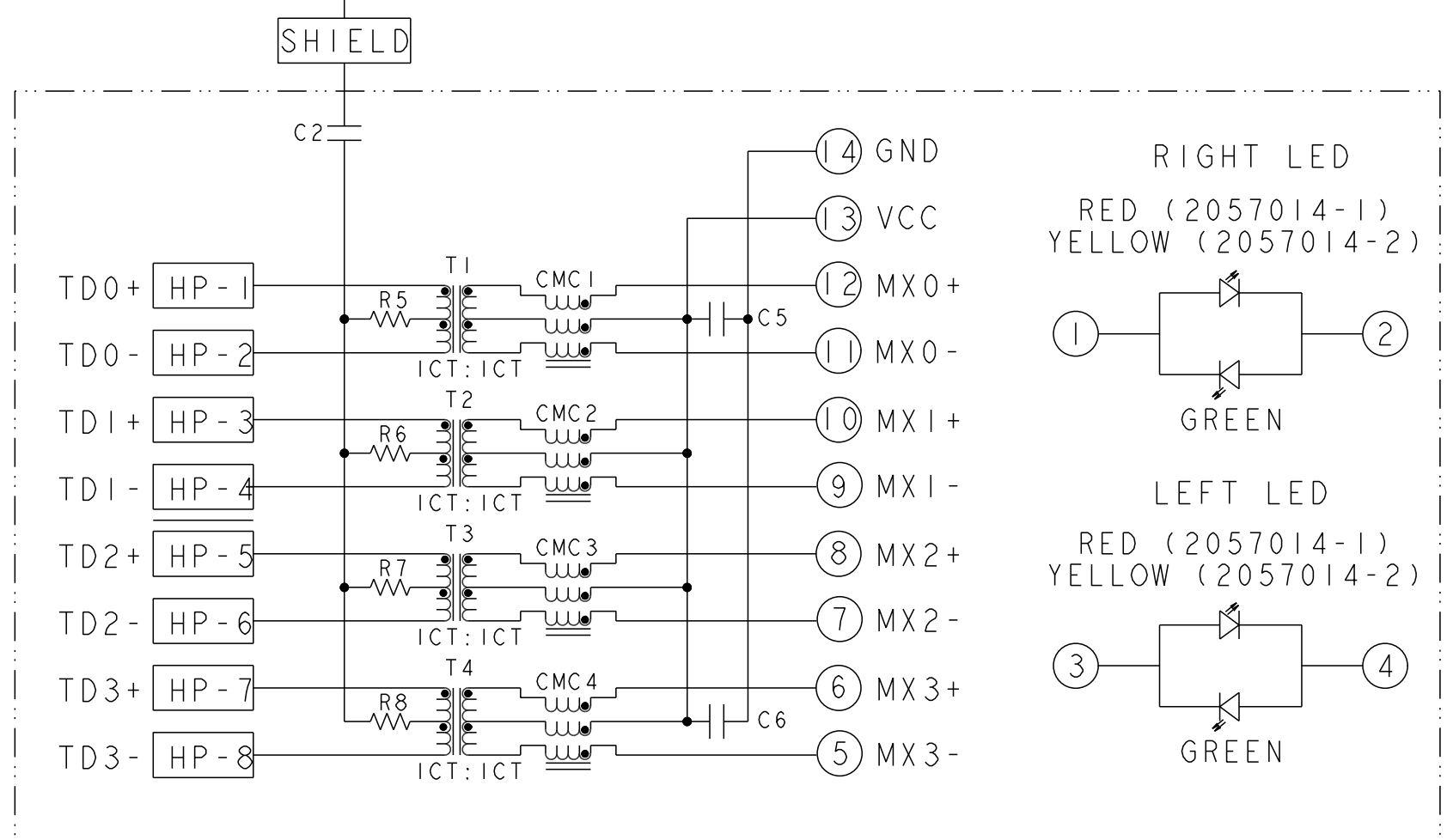
SCALE 10:1

|  |  |                          |   |
|--|--|--------------------------|---|
| THIS DRAWING IS A CONTROLLED DOCUMENT. |  | OWN: R. TRFA 18FEB2008   | <br>TRP connector<br>Dongguan China                                   |
|  |  | CHK: R. HENRY 18FEB2008  |   |
|  |  | APPD: R. HENRY 18FEB2008 |   |
| DIMENSIONS:                            | TOLERANCES UNLESS OTHERWISE SPECIFIED: | PRODUCT SPEC             | NAME: RECEPTACLE ASSEMBLY, 2X1, NON POE WITH MAGNETICS, RJ POINT FIVE |
| mm                                     | 0 PLC ±                                | APPLICATION SPEC         | SIZE: CAGE CODE DRAWING NO  |
|  | 1 PLC ±                                | WEIGHT                   | A1 00779C=2057014   |
|  | 2 PLC ±0.25                            | MATERIAL                 | SCALE 4:1 SHEET 2 OF 4 REV C  |
|  | 3 PLC ±                                | FINISH                   |   |
|  | 4 PLC ±                                |                          |   |
|  | ANGLES ±                               |                          |   |
|  |  | CUSTOMER DRAWING         |   |



TOP PORT

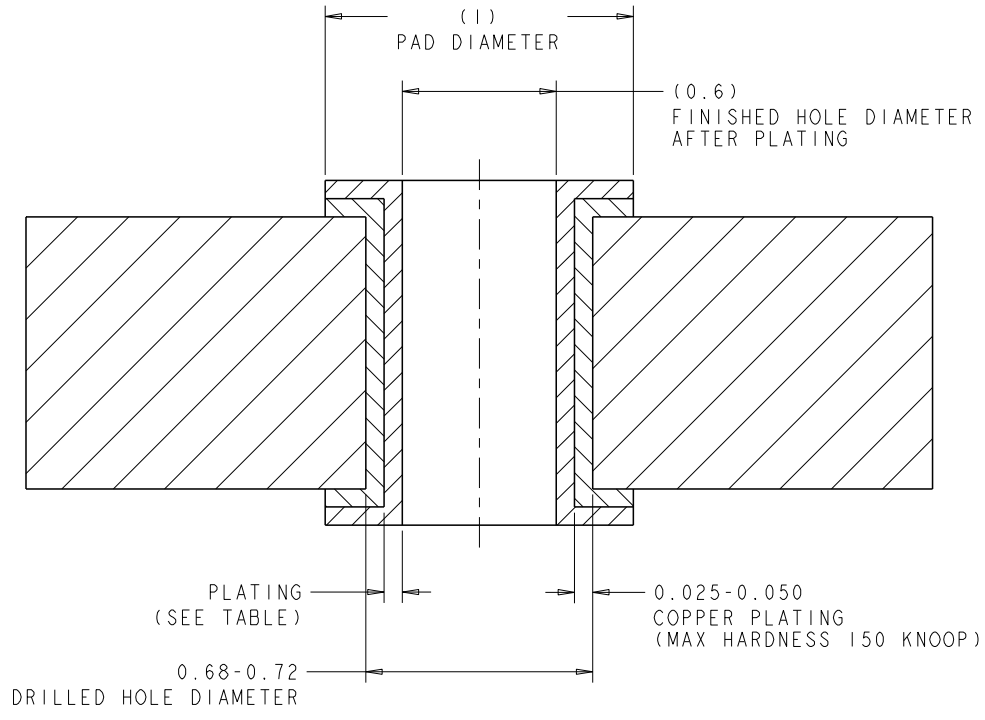
S5G73  
GIGABIT SCHEMATIC



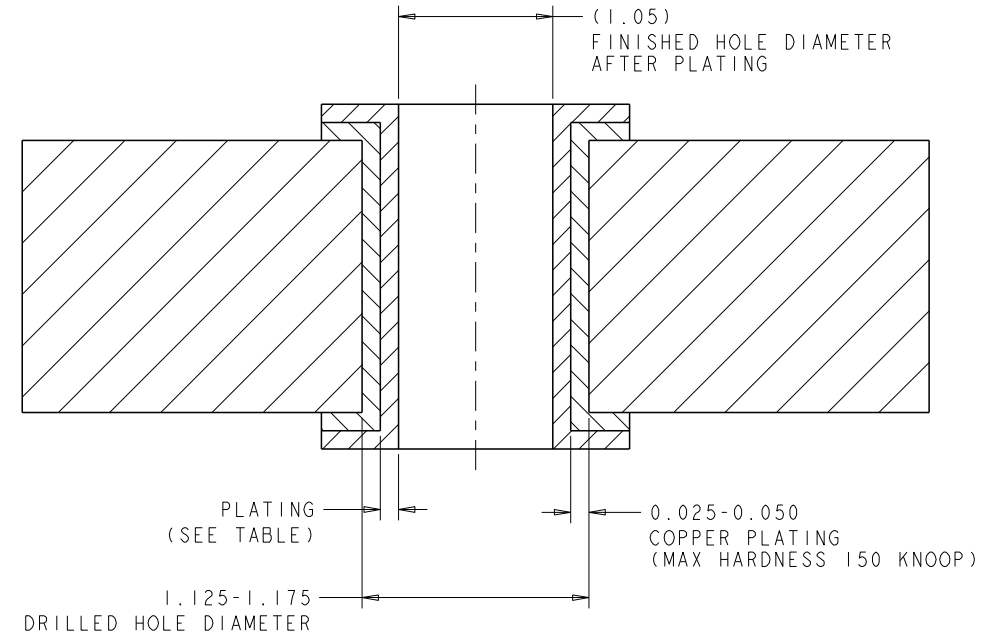
BOTTOM PORT

C1-C2 = 1000 pF, 2kV DE-COUPLING CAPACITORS  
 C3-C6 = 0.01uF, 50V, CAPACITORS  
 R1-R8 = 75 Ohm, 1/16W, RESISTORS

|  |             |                  |   |
|--|-------------|------------------|---|
| THIS DRAWING IS A CONTROLLED DOCUMENT. |             | DATE: 18FEB2008  | <br>TRP connector<br>Dongguan China                                   |
| DRAWN: R. TRFA                         |             | CHK: R. HENRY    |   |
| DIMENSIONS: mm                         |             | DATE: 18FEB2008  | NAME: RECEPTACLE ASSEMBLY, 2X1, NON POE WITH MAGNETICS, RJ POINT FIVE |
|  | 0 PLC ±     | PRODUCT SPEC     | SIZE: A1  |
|  | 1 PLC ±     | APPLICATION SPEC | CAGE CODE: 00779  |
|  | 2 PLC ±0.25 | WEIGHT           | DRAWING NO: 2057014   |
|  | 3 PLC ±     | CUSTOMER DRAWING | SCALE: 4:1  |
| 4 PLC ±                                |             |                  | SHEET 3 OF 4  |
| ANGLES ±                               |             |                  | REV C   |



**RECOMMENDED HOLE DIMENSIONS FOR SIGNAL CONTACTS**



**RECOMMENDED HOLE DIMENSIONS FOR SHIELD PINS**

| THICKNESS                         | PLATING   |
|-----------------------------------|---|
| 0.004-0.010                       | HOT AIR SOLDER LEVELING (HASL) TIN-LEAD (Sn Pb) |
| 0.0005-0.001                      | IMMERSION TIN (Sn)                              |
| 0.0002-0.0005                     | ORGANIC SOLDERABILITY PRESERVATIVE (OSP)        |
| 0.0001-0.0005 Au, 0.004-0.0076 Ni | IMMERSION GOLD (Au) OVER NICKEL (Ni) (ENIG)     |
| 0.010-0.025                       | TIN LEAD PLATING (Sn Pb)                        |
| 0.0001-0.00015                    | IMMERSION SILVER (Ag)                           |

THIS DRAWING IS A CONTROLLED DOCUMENT.

|                  |  |   |
|------------------|--|---|
| DRW: R.TREA      | 18FEB2008                              | <p>TRP connector<br/>Dongguan China</p>                               |
| CHK: R.HENRY     | 18FEB2008                              |   |
| APPD: R.HENRY    | 18FEB2008                              |   |
| PRODUCT SPEC     |  |   |
| DIMENSIONS:      | TOLERANCES UNLESS OTHERWISE SPECIFIED: | NAME: RECEPTACLE ASSEMBLY, 2X1, NON POE WITH MAGNETICS, RJ POINT FIVE |
| mm               | 0 PLC ±                                | APPLICATION SPEC  |
|                  | 1 PLC ±                                | SIZE: CAGE CODE DRAWING NO  |
|                  | 2 PLC ±0.25                            | A100779C=2057014  |
|                  | 3 PLC ±                                | RESTRICTED TO   |
|                  | 4 PLC ±                                |   |
|                  | ANGLES ±°                              | SCALE: 4:1  |
| MATERIAL:        | FINISH:                                | SHEET 4 OF 4  |
|                  |  | REV C   |
| CUSTOMER DRAWING |  |   |