

REVISIONS				
P	LYR	DESCRIPTION	DATE	APPD
F		LOGO CHANGE	29MAY2013	TR KZ

1. MATERIAL:  
 HOUSING: BLACK, THERMOPLASTIC, RATED UL 94V-0.  
 SHIELD: COPPER ALLOY WITH NICKEL PLATING.  
 CONTACTS: PHOSPHOR BRONZE.  
 CONTACT PLATING: 0.05µm MIN GOLD OVER  
 0.76µm MIN PALLADIUM-NICKEL, AT MATING  
 INTERFACE CONTACT AREA.

5. RECOMMENDED MIN PCB THICKNESS 1.5mm (.062").  
 6. OPERATING TEMPERATURE: FROM 0°C TO 70°C.  
 ⚠ DATUM AND BASIC DIMENSION ESTABLISHED BY CUSTOMER.  
 ⚠ FOR HOLE SIZE AND PLATINGS, SEE SHEET 5.

⚠ TRP LOGO, PART NUMBER, DATE CODE AND COUNTRY OF ORIGIN, SHOWN APPROXIMATE AREA.

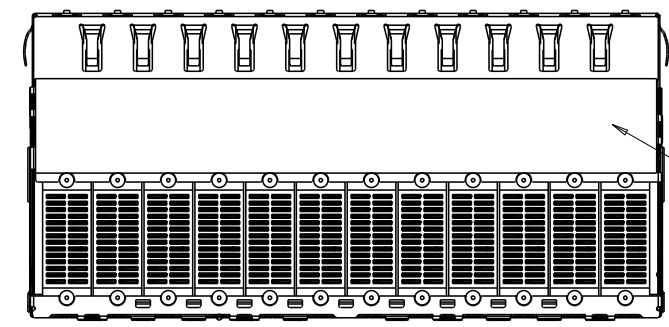
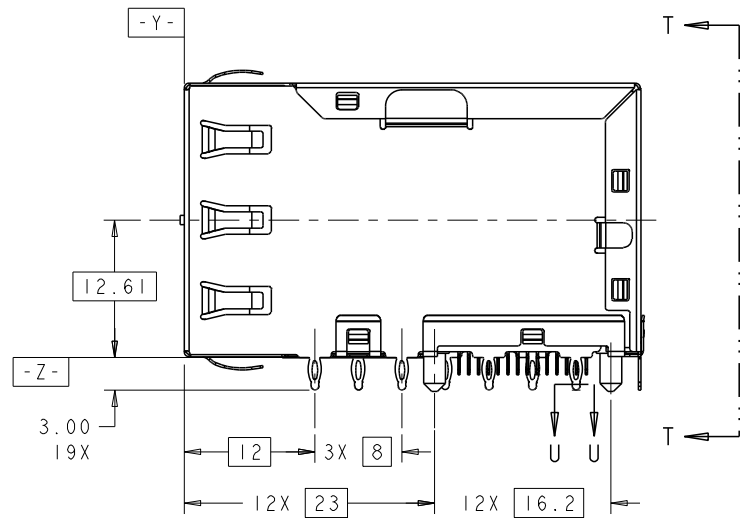
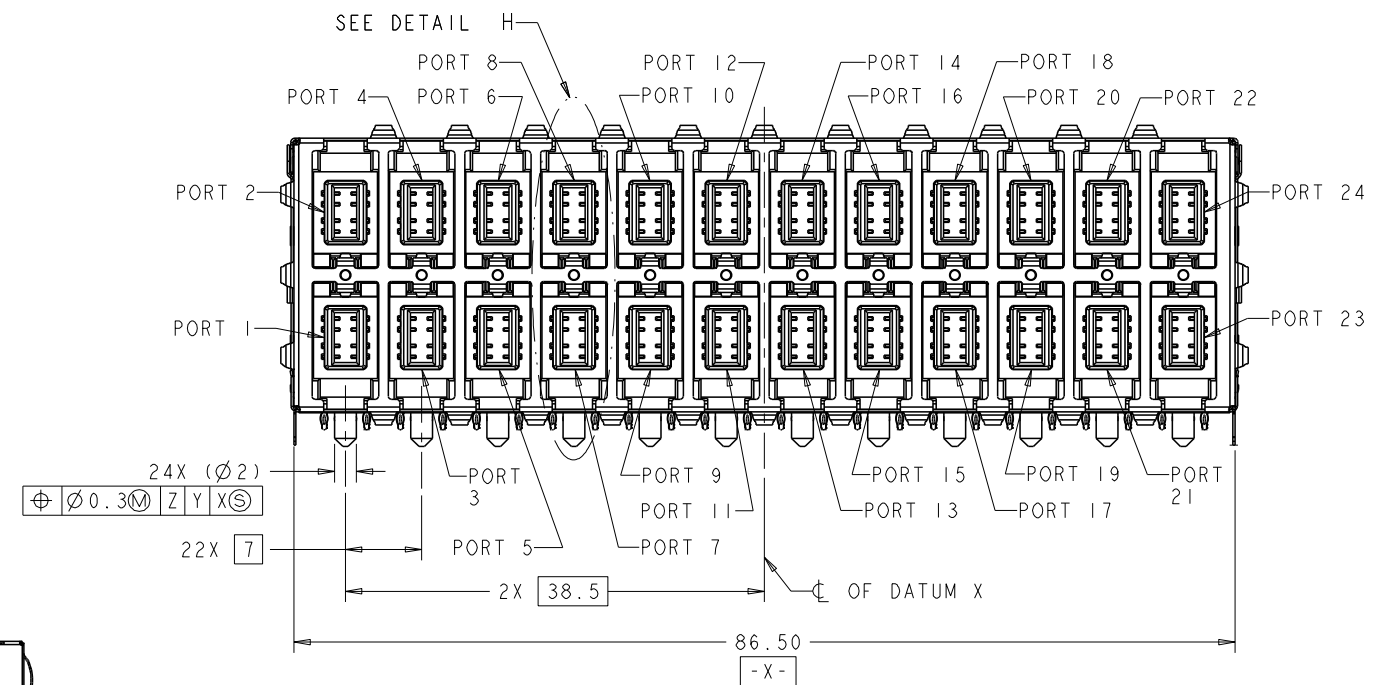
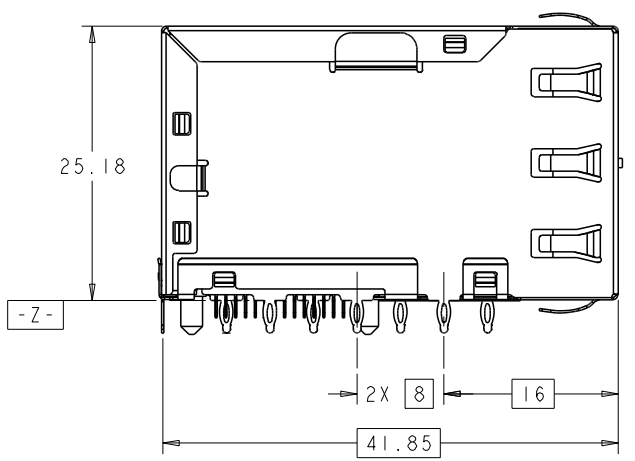
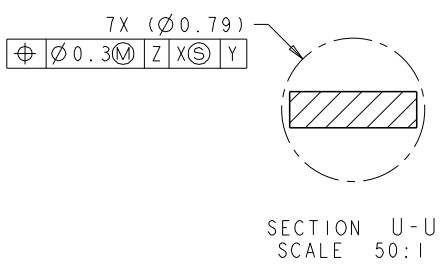
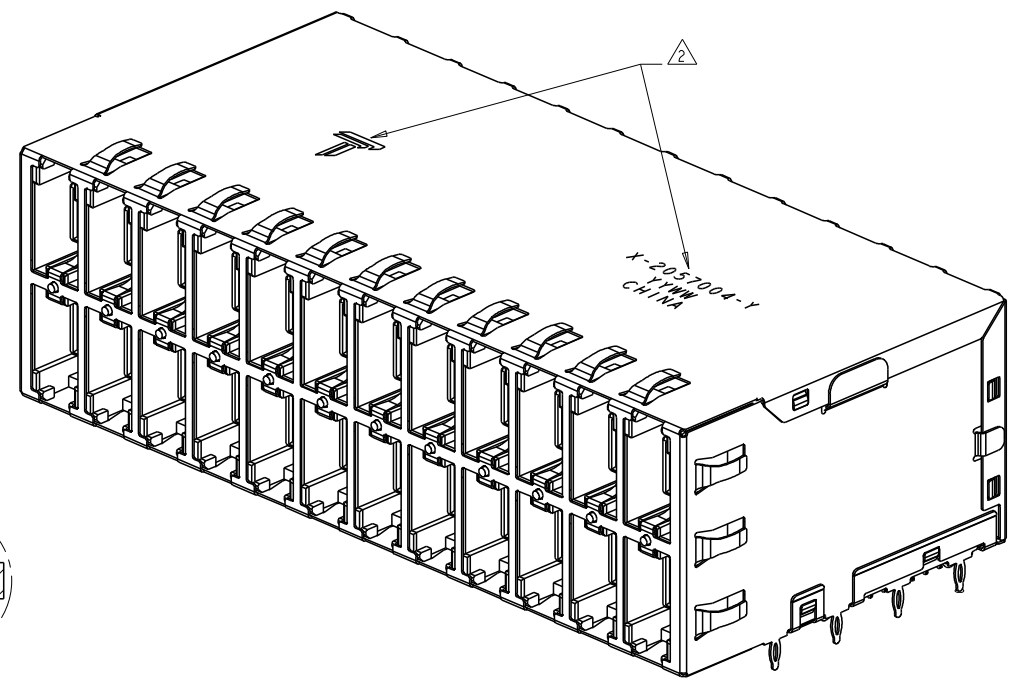
3. MAGNETICS:  
 -APPLICATION: 10/100/1000 BASE -T  
 - IMPEDANCE: 100 OHMS  
 - TRANSMIT OPEN CIRCUIT INDUCTANCE (OCL): 350µH (MIN)  
 @100KHZ, 0.1 VRMS WITH 8mA DC BIAS  
 FOR EACH TRANSFORMER OVER T=0°C-+70°C.  
 - TURNS RATIO (CHIP:CABLE): 1:1 ALL PAIRS  
 PERFORMANCE:  
 - ALL PAIRS ARE BI-DIRECTIONAL

FREQUENCY	*INSERTION LOSS	RETURN LOSS	CROSSTALK ATTENUATION	COMMON MODE REJECTION RATIO
0.5MHz-1MHz	1.2dB (MAX)	18dB (MIN)	70dB (MIN)	30dB (MIN)
1MHz-40MHz	1.2dB (MAX)	18dB (MIN)	33-20X LOG (F/80)dB (MIN)	30dB (MIN)
40MHz-100MHz	1.2dB (MAX)	12-20X LOG (F/80)dB (MIN)	33-20X LOG (F/80)dB (MIN)	30dB (MIN)

ALL MAGNETIC ELECTRICAL CHARACTERISTICS RATED AT T=25°C

- ISOLATION VOLTAGE: 2250VDC(MAX) FOR 60 SECONDS WITH A RISE TIME OF 500V/SEC, WITH ALL PORTS CONNECTED.

4. LED IS DRIVEN WITH CURRENT AT APPROX 20 mA  
 DOMINANT WAVELENGTH (λD): GREEN 573 nm TYP AT IF=20mA  
 FORWARD VOLTAGE (VF): GREEN 2.0V TYP at IF=20mA  
 DOMINANT WAVELENGTH (λD): RED 624 nm TYP AT IF=20mA  
 FORWARD VOLTAGE (VF): RED 2.0V TYP at IF=20mA  
 DOMINANT WAVELENGTH (λD): YELLOW 589 nm TYP AT IF=20mA  
 FORWARD VOLTAGE (VF): YELLOW 2.0V TYP at IF=20mA

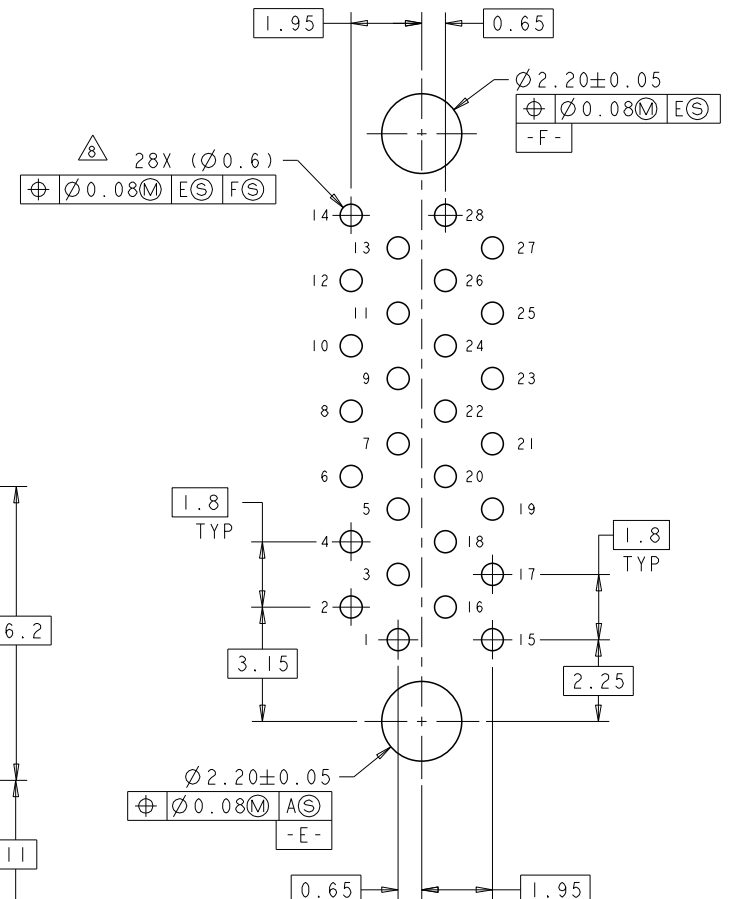
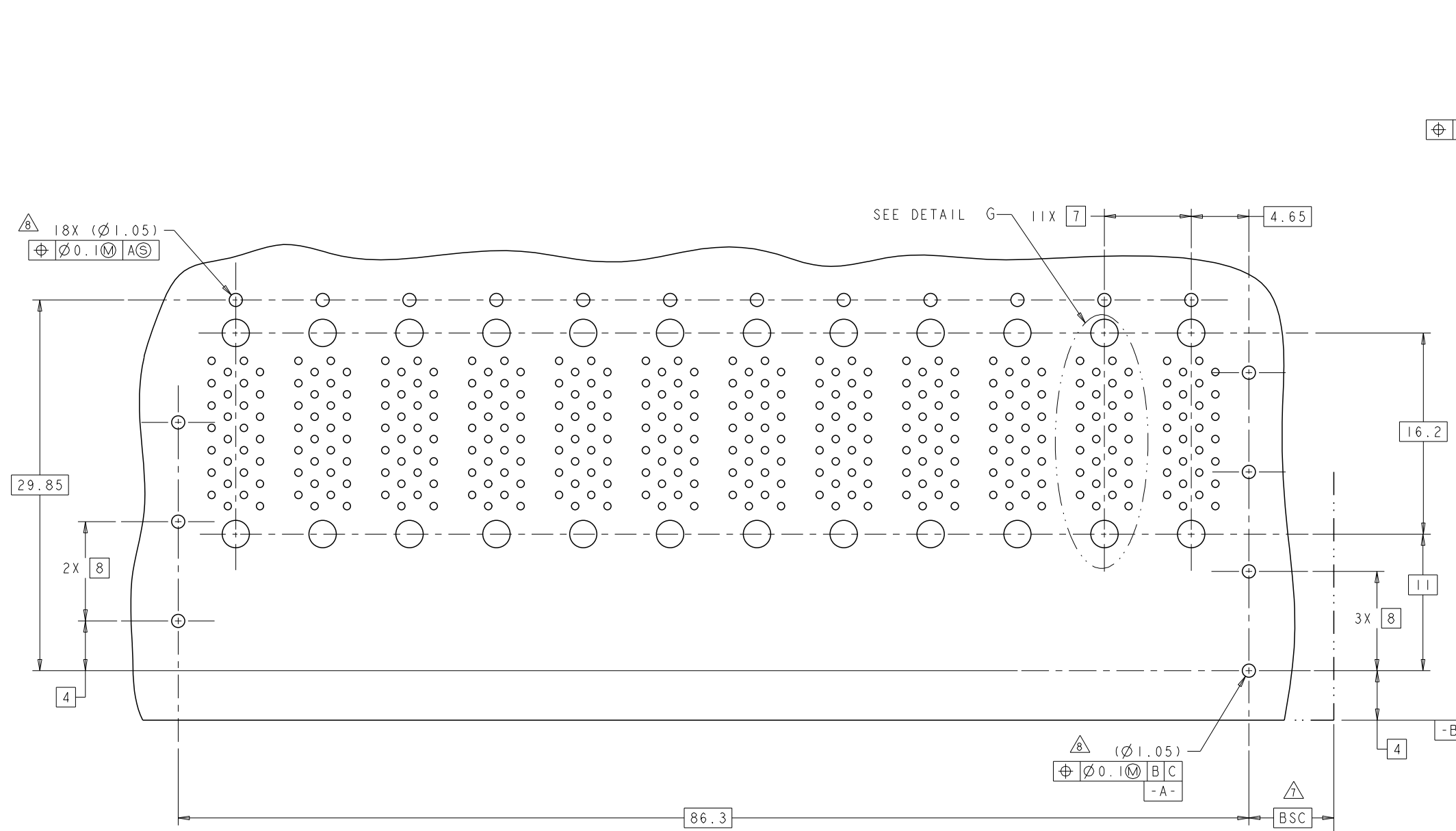


BOTTOM VIEW

BOTTOM INSULATION TAPE

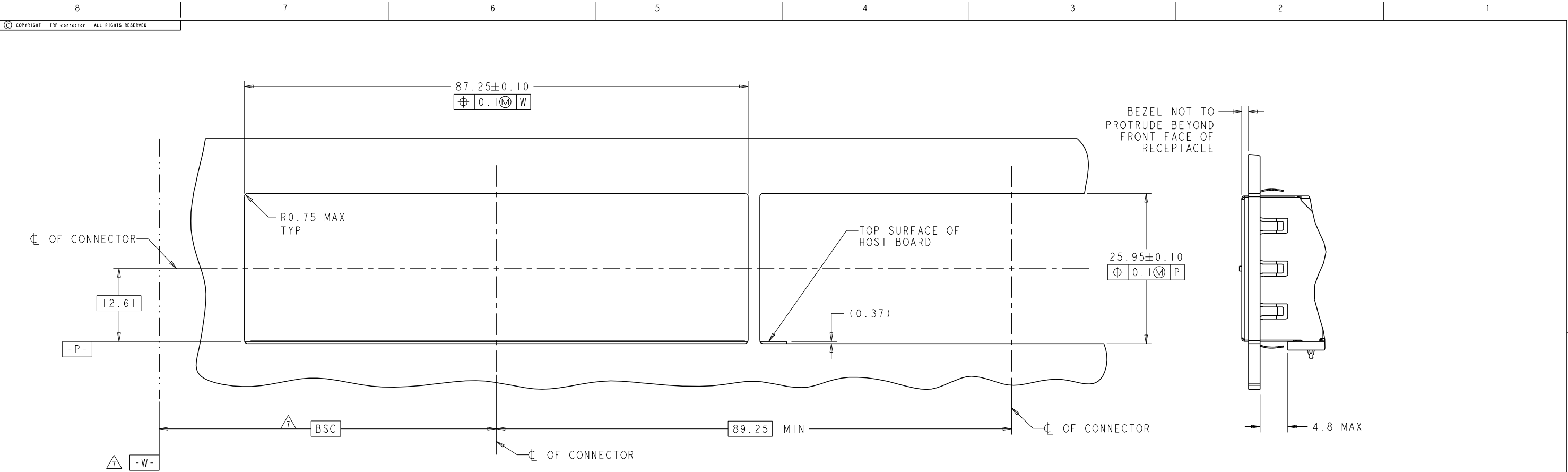
WITH	WITH	YELLOW/GREEN BI-COLOR	3-2057004-2
WITH	WITHOUT	YELLOW/GREEN BI-COLOR	2-2057004-2
WITH	WITHOUT	RED/GREEN BI-COLOR	2-2057004-1
WITHOUT	WITH	YELLOW/GREEN BI-COLOR	1-2057004-2
WITHOUT	WITHOUT	YELLOW/GREEN BI-COLOR	2057004-2
WITHOUT	WITHOUT	RED/GREEN BI-COLOR	2057004-1
EMI TAB	BOTTOM INSULATION TAPE	LED COLORS	PART NUMBER

THIS DRAWING IS A CONTROLLED DOCUMENT.		OWN: M. SHIRK 20FEB2008	TRP connector Dongguan China
DIMENSIONS: mm		CHK: R. HENRY 20FEB2008	
TOLERANCES UNLESS OTHERWISE SPECIFIED:		APPD: R. HENRY 20FEB2008	
0 PLC ±	1 PLC ±	2 PLC ±0.25	PRODUCT SPEC
3 PLC ±	4 PLC ±	ANGLES ±	108-2341
MATERIAL:	FINISH:	WEIGHT:	APPLICATION SPEC
CUSTOMER DRAWING			NAME: RECEPTACLE ASSEMBLY, 2X12, RJ POINT FIVE, NON PoE WITH MAGNETICS
SCALE: 3:1			SIZE: CAGE CODE: DRAWING NO: 00779 ©=2057004
SHEET 1 OF 5			RESTRICTED TO: -
REV F			

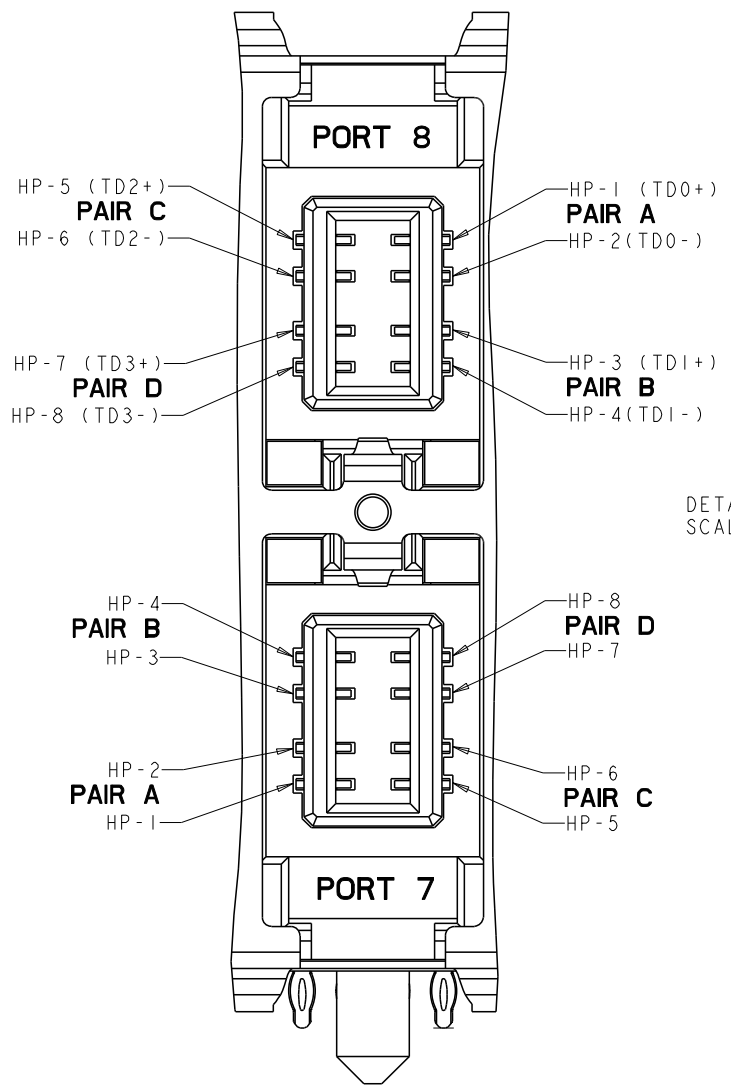
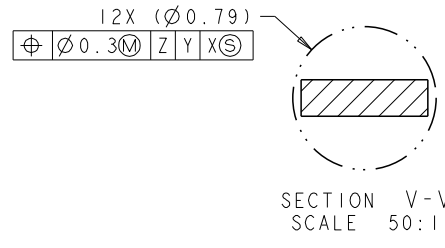


RECOMMENDED PCB LAYOUT  
SCALE 5:1

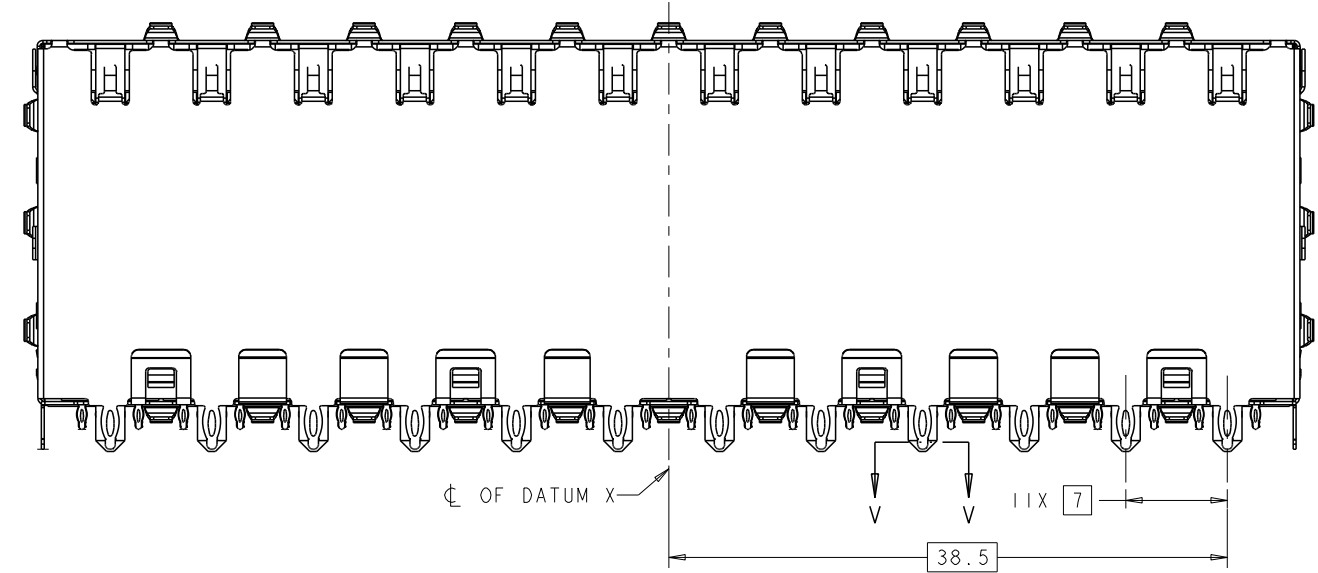
THIS DRAWING IS A CONTROLLED DOCUMENT.		DWN: M. SHIRK 20FEB2008 CHK: R. HENRY 20FEB2008 APVD: R. HENRY 20FEB2008	TRP connector Dongguan China
DIMENSIONS: mm	TOLERANCES UNLESS OTHERWISE SPECIFIED: 0 PLC ±: 1 PLC ±: 2 PLC ±0.25 3 PLC ±: 4 PLC ±: ANGLES ±°	PRODUCT SPEC: 108-2341 APPLICATION SPEC:	NAME: RECEPTACLE ASSEMBLY, 2X12, RJ POINT FIVE, NON PoE WITH MAGNETICS SIZE: CAGE CODE: DRAWING NO: A100779 ©=2057004
MATERIAL:	FINISH:	WEIGHT:	RESTRICTED TO:
CUSTOMER DRAWING		SCALE: 3:1	SHEET 2 OF 5 REV F



RECOMMENDED PANEL CUTOUT

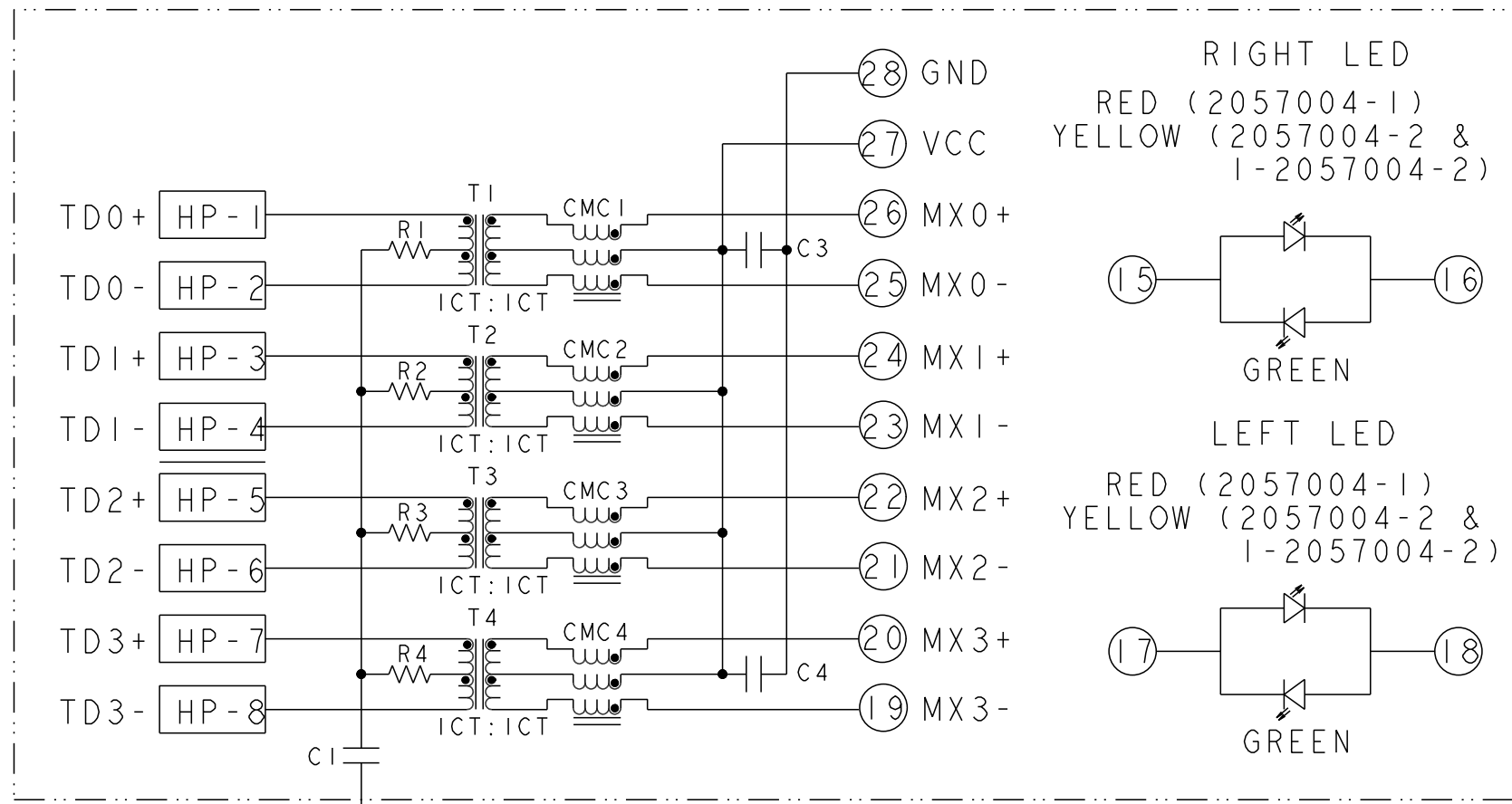


DETAIL H  
SCALE 10:1

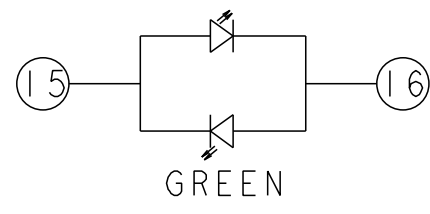


SECTION T-T  
SCALE 4:1

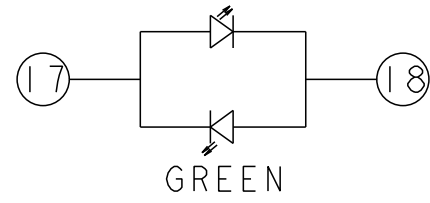
THIS DRAWING IS A CONTROLLED DOCUMENT.		DRW: M. SHIRK 20FEB2008		TRP connector
		CHK: R. HENRY 20FEB2008		Dongguan China
DIMENSIONS:		APRD: R. HENRY 20FEB2008	NAME: RECEPTACLE ASSEMBLY, 2X12, RJ	
mm	TOLERANCES UNLESS OTHERWISE SPECIFIED:	PRODUCT SPEC	POINT FIVE, NON PoE WITH MAGNETICS	
⊕	0 PLC ±	108-2341	SIZE	RESTRICTED TO
	1 PLC ±0.25	APPLICATION SPEC	A1	00779
	2 PLC ±	WEIGHT	SCALE	3:1
	3 PLC ±	CUSTOMER DRAWING	SHEET	3 OF 5
	4 PLC ±		REV	F
	ANGLES ±			
	FINISH			



RIGHT LED  
 RED (2057004-1)  
 YELLOW (2057004-2 &  
 1-2057004-2)

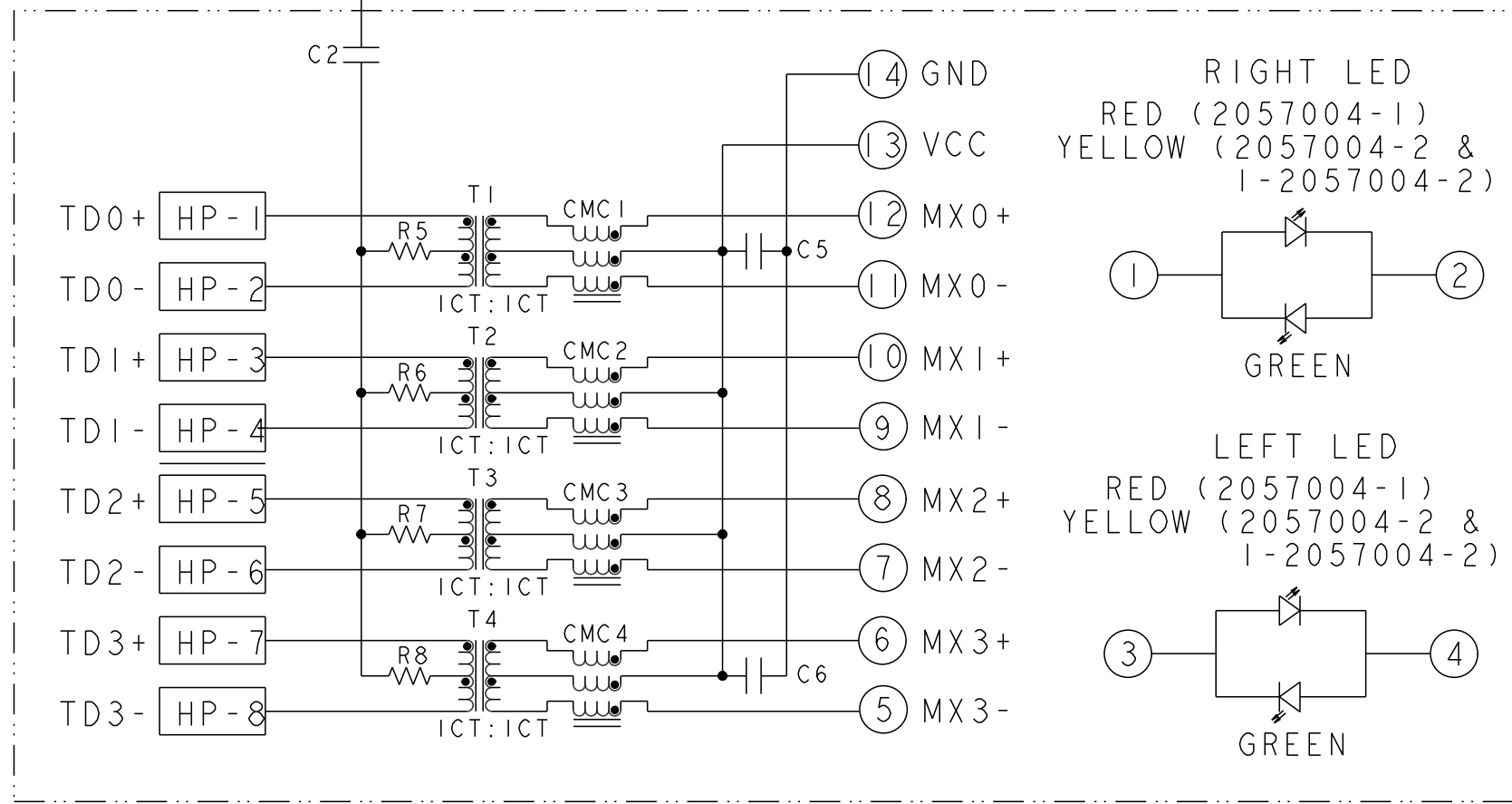


LEFT LED  
 RED (2057004-1)  
 YELLOW (2057004-2 &  
 1-2057004-2)

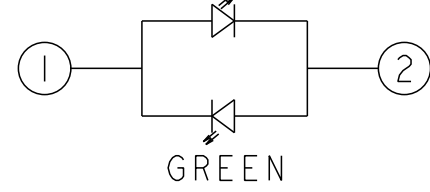


TOP PORT

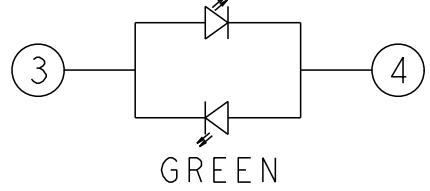
S5G73  
 GIGABIT CIRCUIT



RIGHT LED  
 RED (2057004-1)  
 YELLOW (2057004-2 &  
 1-2057004-2)



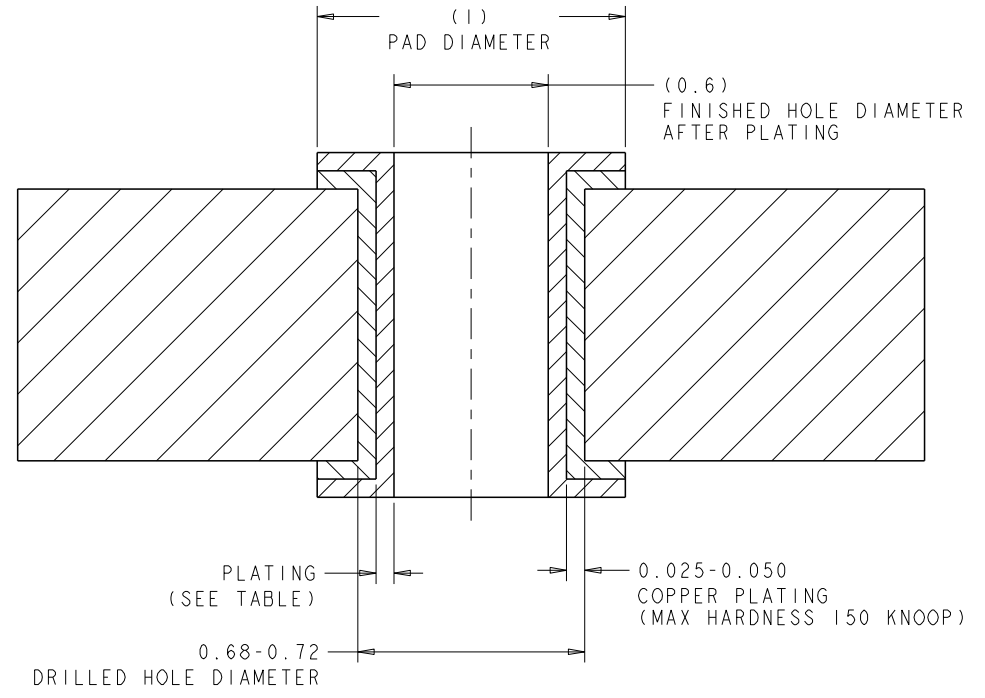
LEFT LED  
 RED (2057004-1)  
 YELLOW (2057004-2 &  
 1-2057004-2)



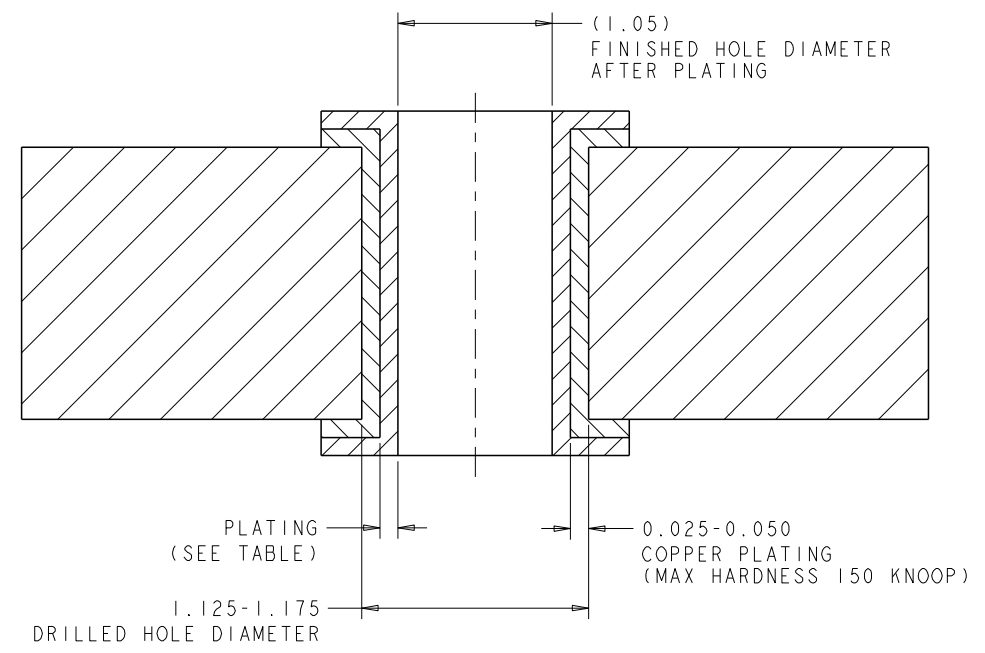
BOTTOM  
 PORT

C1-C2 = 1000 pF, 2kV DE-COUPLING CAPACITORS  
 C3-C6 = 0.01uF, 50V, CAPACITORS  
 R1-R8 = 75 Ohm, 1/16W, RESISTORS

THIS DRAWING IS A CONTROLLED DOCUMENT.		OWN: M. SHIRK 20FEB2008	 TRP connector Dongguan China
		CHK: R. HENRY 20FEB2008	
DIMENSIONS:	TOLERANCES UNLESS OTHERWISE SPECIFIED:	APP'D: R. HENRY 20FEB2008	PRODUCT SPEC
mm	0 PLC ±		NAME: RECEPTACLE ASSEMBLY, 2X12, RJ
	1 PLC ±		APPLICATION SPEC
	2 PLC ±0.25		SIZE: CAGE CODE: DRAWING NO:
	3 PLC ±		A1 00779 ©=2057004
	4 PLC ±		RESTRICTED TO
MATERIAL:	FINISH:	WEIGHT:	SCALE: 3:1
			SHEET 4 OF 5
CUSTOMER DRAWING			REV F



**RECOMMENDED HOLE DIMENSIONS FOR SIGNAL CONTACTS**



**RECOMMENDED HOLE DIMENSIONS FOR SHIELD PINS**

THICKNESS	PLATING
0.004-0.010	HOT AIR SOLDER LEVELING (HASL) TIN-LEAD (Sn Pb)
0.0005-0.001	IMMERSION TIN (Sn)
0.0002-0.0005	ORGANIC SOLDERABILITY PRESERVATIVE (OSP)
0.0001-0.0005 Au, 0.004-0.0076 Ni	IMMERSION GOLD (Au) OVER NICKEL (Ni) (ENIG)
0.010-0.025	TIN LEAD PLATING (Sn Pb)
0.0001-0.00015	IMMERSION SILVER (Ag)

THIS DRAWING IS A CONTROLLED DOCUMENT.

DIMENSIONS:	TOLERANCES UNLESS OTHERWISE SPECIFIED:	DATE	20FEB2008
mm	0 PLC ±	DRN	M. SHIRK
	1 PLC ±	CHK	R. HENRY
	2 PLC ±0.25	APP'D	R. HENRY
	3 PLC ±	PRODUCT SPEC	108-2341
	4 PLC ±	APPLICATION SPEC	
	ANGLES ±	NAME	RECEPTACLE ASSEMBLY, 2X12, RJ
		SIZE	POINT FIVE, NON PoE WITH MAGNETICS
MATERIAL	FINISH	WEIGHT	SCALE
			3:1
CUSTOMER DRAWING		SCALE	3:1
		SHEET	5
		OF	5
		REV	F

TRP connector Dongguan China

RESTRICTED TO