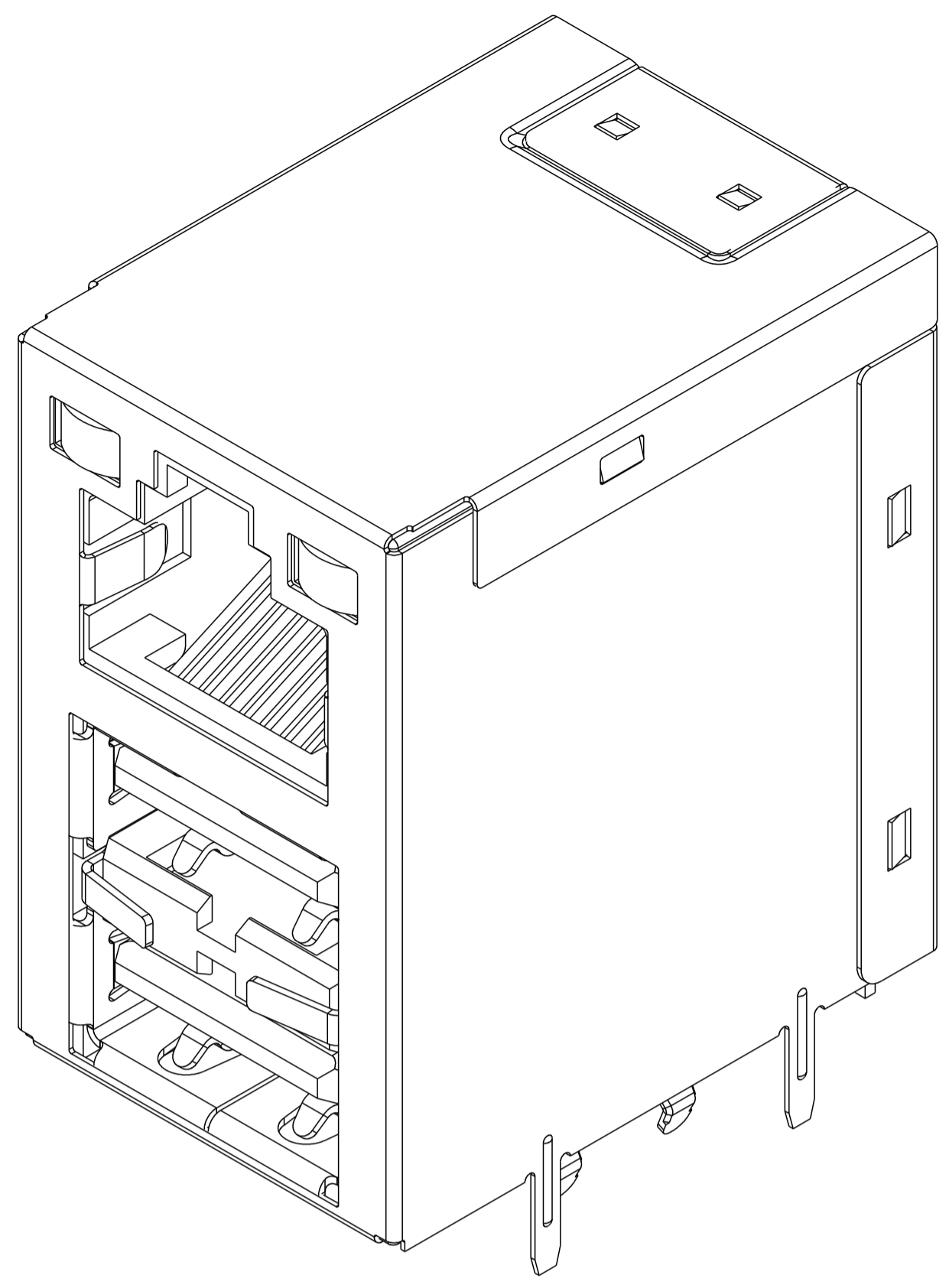
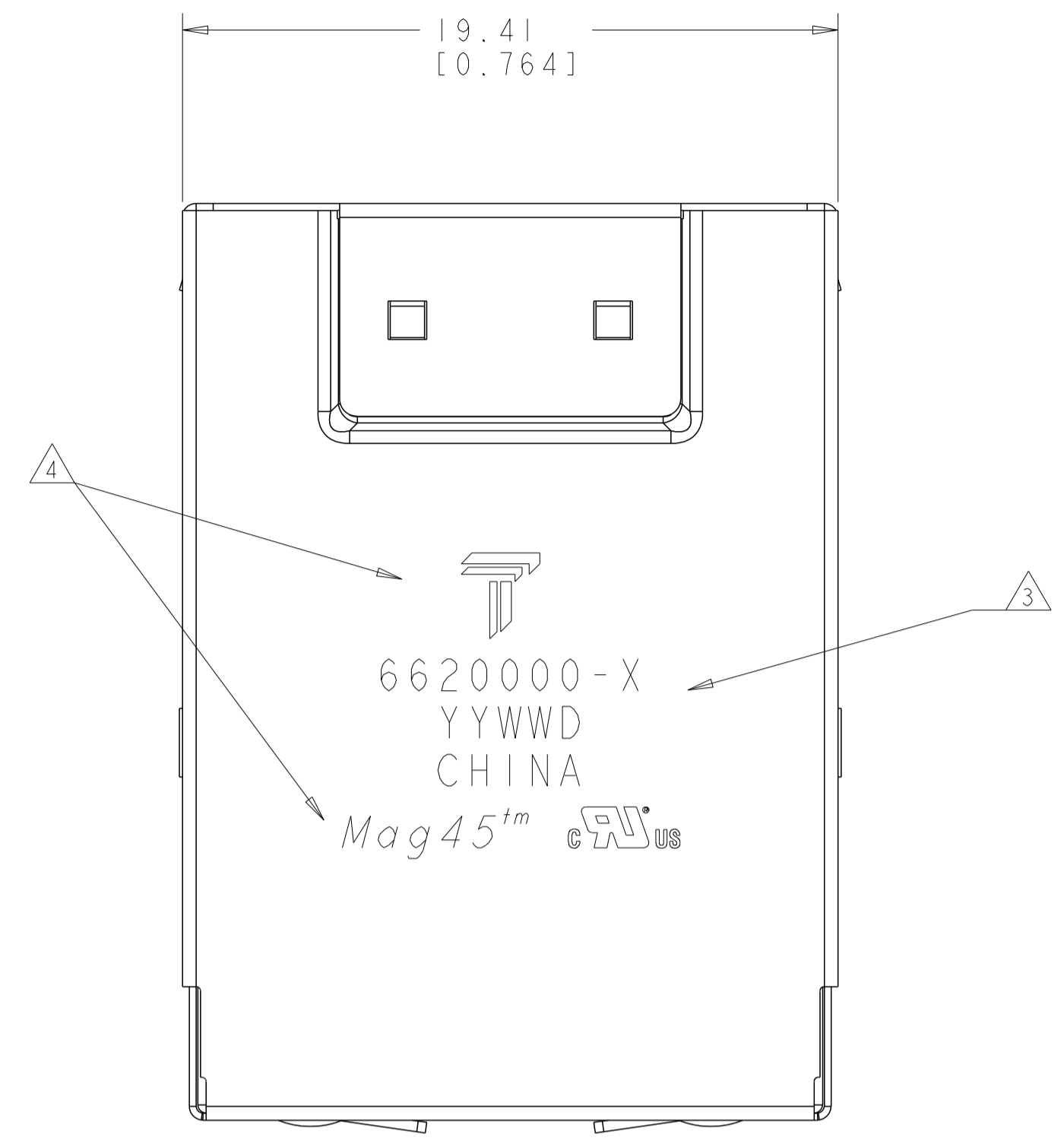


REVISIONS				
P	LTR	DESCRIPTION	DATE	OWN APVD
F		LOGO CHANGE	2013-05-23	QL TY

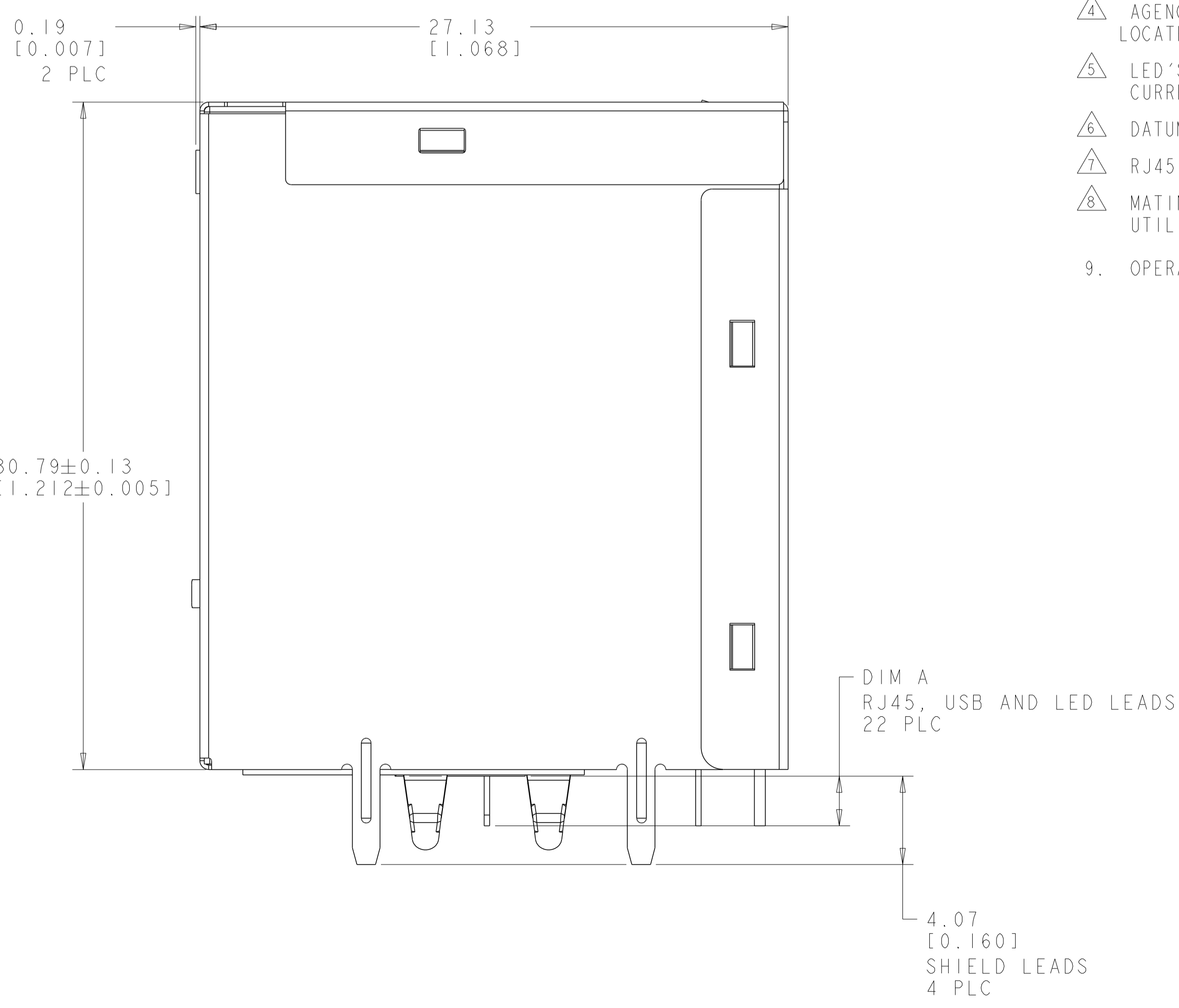
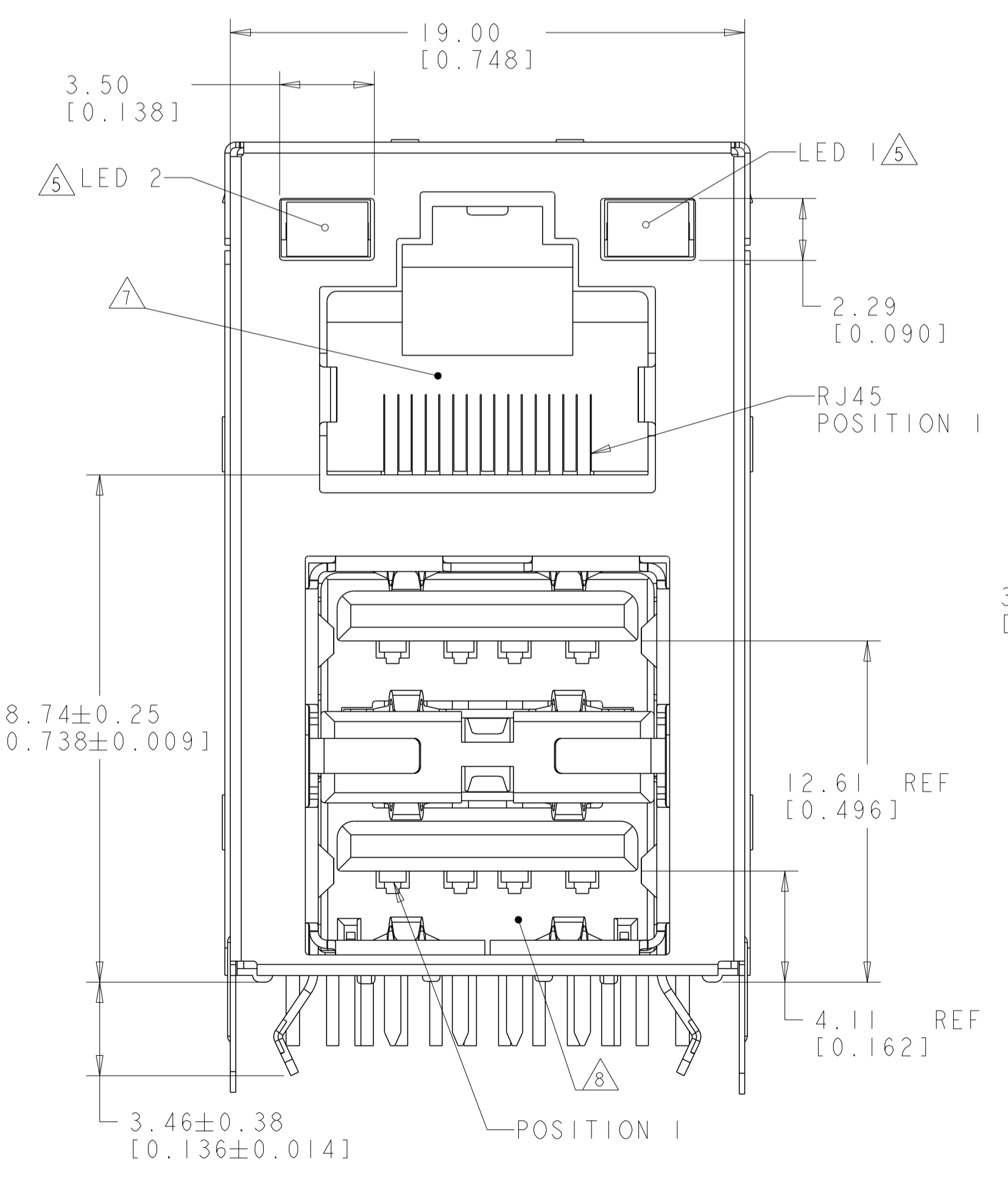


SCALE 5:1

1. USB MATERIALS:
 SHELL - BRASS, PLATED WITH TIN 2.54µm MIN
 HOUSING - BLACK, THERMOPLASTIC, GLASS FILLED, UL 94V-0 RATED
 CONTACT - PHOSPHOR BRONZE WITH SELECTIVE GOLD PLATING

 RJ45 MATERIALS:
 PLASTIC HOUSING - BLACK, THERMOPLASTIC FLAMMABILITY RATING UL 94V-0
 SHIELD - BRASS, PLATED WITH 0.76 µm MIN SEMI-BRIGHT NICKEL,
 SELECTED TIN 3.05µm MIN ON SOLDER TAILS ONLY
 CONTACTS - PHOSPHOR BRONZE
 PLATING - 1.27 µm MIN NICKEL UNDER PLATE WITH SELECT 1.27 µm MIN GOLD AT MATING
 AT MATING SELECT INTERFACE AND 3.05 µm MIN TIN ON CONTACT TAILS

 LED - DIFFUSED EPOXY LENS, 0.5 x 0.5 CARBON STEEL WIREFRAME LEADS PRE-PLATED
 WITH 2.03 µm MIN SILVER OVER 1.02 µm MIN NICKEL UNDERPLATE OVER
 1.02 µm MIN COPPER UNDERPLATE. POST-PLATED WITH 2.54 µm MIN MATTE TIN
 AND/OR SAC SOLDER DIP OR PURE TIN SOLDER DIP
2. MAGNETICS
 -APPLICATION: 10/100/1000 BASE-T
 -IMPEDANCE: 100 OHMS
 -TURNS RATIO (CHIP:CABLE): 1:1 ALL FOUR PAIRS
 -OPEN CIRCUIT INDUCTANCE (OCL): 350uH MIN @100kHz, 0.1VRMS,
 8mADC BIAS FROM 0°C TO 70°C, ALL FOUR PAIRS
 -ALL FOUR PAIRS BI-DIRECTIONAL
 -PERFORMANCE @ 25°C:
 INSERTION LOSS (IL): 1.1dB MAX FROM 0.5MHz TO 100MHz
 RETURN LOSS (RL): 18dB MIN FROM 0.5MHz TO 40MHz
 12-20LOG(f/80)dB MIN FROM 40.1MHz TO 100MHz
 CROSSTALK ATTENUATION: 35dB MIN FROM 0.5MHz TO 40MHz
 33-20LOG(f/50)dB MIN FROM 40.1MHz TO 100MHz
 COMMON MODE REJECTION RATIO (CMRR): 30dB MIN FROM 0.5MHz TO 100MHz
 -ISOLATION VOLTAGE: COMPLIES WITH IEEE802.3 2002, PARA 40.6.1.1, ITEM b.
3. PART NUMBER, DATE CODE AND COUNTRY OF ORIGIN LOCATED IN APPROXIMATE AREA SHOWN. DATE CODE: "YY" IS YEAR, "WW" IS WORK WEEK, "D" IS DAY OF WEEK, WITH SUNDAY=1
4. AGENCY APPROVAL LOGO, TRP CONNECTOR LOGO AND PRODUCT LOGO LOCATED IN APPROXIMATE AREA SHOWN
5. LED'S COMPLIANT WITH IEC60825-1 SAFETY OF LASER PRODUCTS WHEN OPERATED UP TO A CURRENT OF 20 mA
6. DATUM LOCATION AND DIMENSION TO BE ESTABLISHED BY CUSTOMER
7. RJ45 CAVITY CONFORMS TO FCC RULES AND REGULATION PART 68 SUBPART F
8. MATING INTERFACE COMPLIES WITH USB (UNIVERSAL SERIAL BUS) SPECIFICATION REV.2.0, UTILIZING TRP PN 292323-1 WITH USB 2.0 CERTIFICATE TEST ID NO. 60000242
9. OPERATING TEMPERATURE: T = 0° C TO +70° C



3.24	GREEN/YELLOW	GREEN/YELLOW	2-6620000-4
3.24	GREEN/ORANGE	GREEN/ORANGE	2-6620000-3
3.24	GREEN/ORANGE	YELLOW	2-6620000-2
3.24	GREEN	YELLOW	2-6620000-1
2.84	GREEN/YELLOW	GREEN/YELLOW	1-6620000-4
2.84	GREEN/ORANGE	GREEN/ORANGE	1-6620000-3
2.84	GREEN/ORANGE	YELLOW	1-6620000-2
2.84	GREEN	YELLOW	1-6620000-1
2.29	GREEN/YELLOW	GREEN/YELLOW	6620000-4
2.29	GREEN/ORANGE	GREEN/ORANGE	6620000-3
2.29	GREEN/ORANGE	YELLOW	6620000-2
2.29	GREEN	YELLOW	6620000-1
DIM A	LED 2	LED 1	PART NUMBER

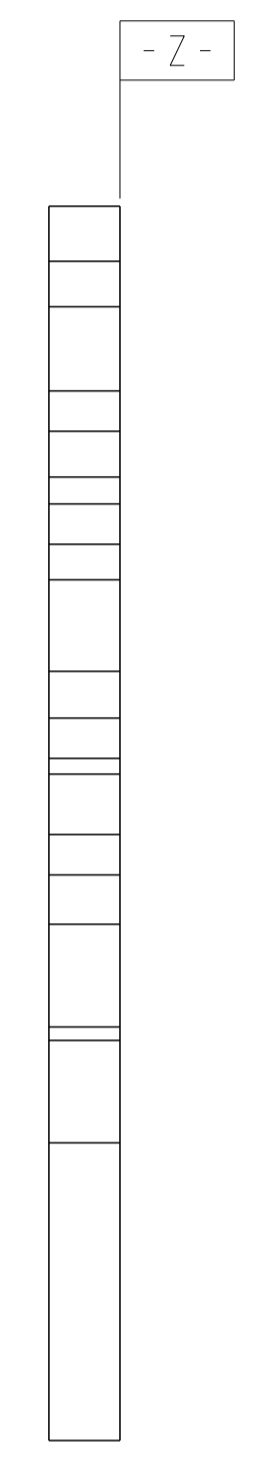
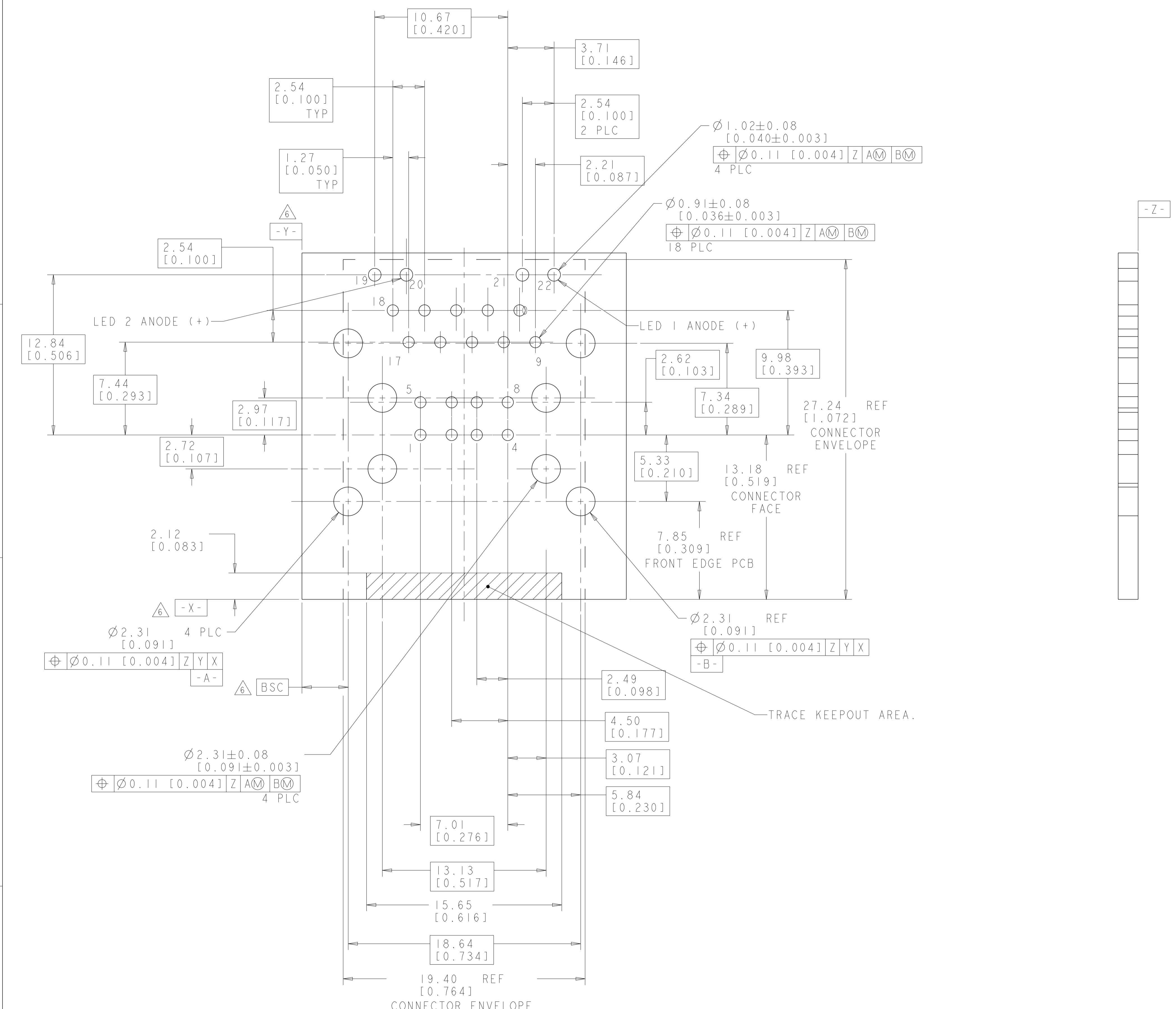
THIS DRAWING IS A CONTROLLED DOCUMENT.

DATE: 28DEC2005	CHK: P. D'AMATO	28DEC2005	APVD: S. FLECKINGER	28DEC2005
DIMENSIONS: MIN		TOLERANCES UNLESS OTHERWISE SPECIFIED:		
0 PLC	±	1 PLC	±	2 PLC
2 PLC	±0.25	3 PLC	±	4 PLC
ANGLES	±			
MATERIAL: SEE NOTE 1	FINISH: SEE NOTE 1	PRODUCT SPEC: -	APPLICATION SPEC: -	WEIGHT: -
CUSTOMER DRAWING		SCALE: 6:1		SHEET 1 OF 3 REV F

TRP connector Dongguan China

NAME: RJ45 OVER DUAL USB MAG45 TM UR3G05, GIGABIT CIRCUIT, W/LEDS

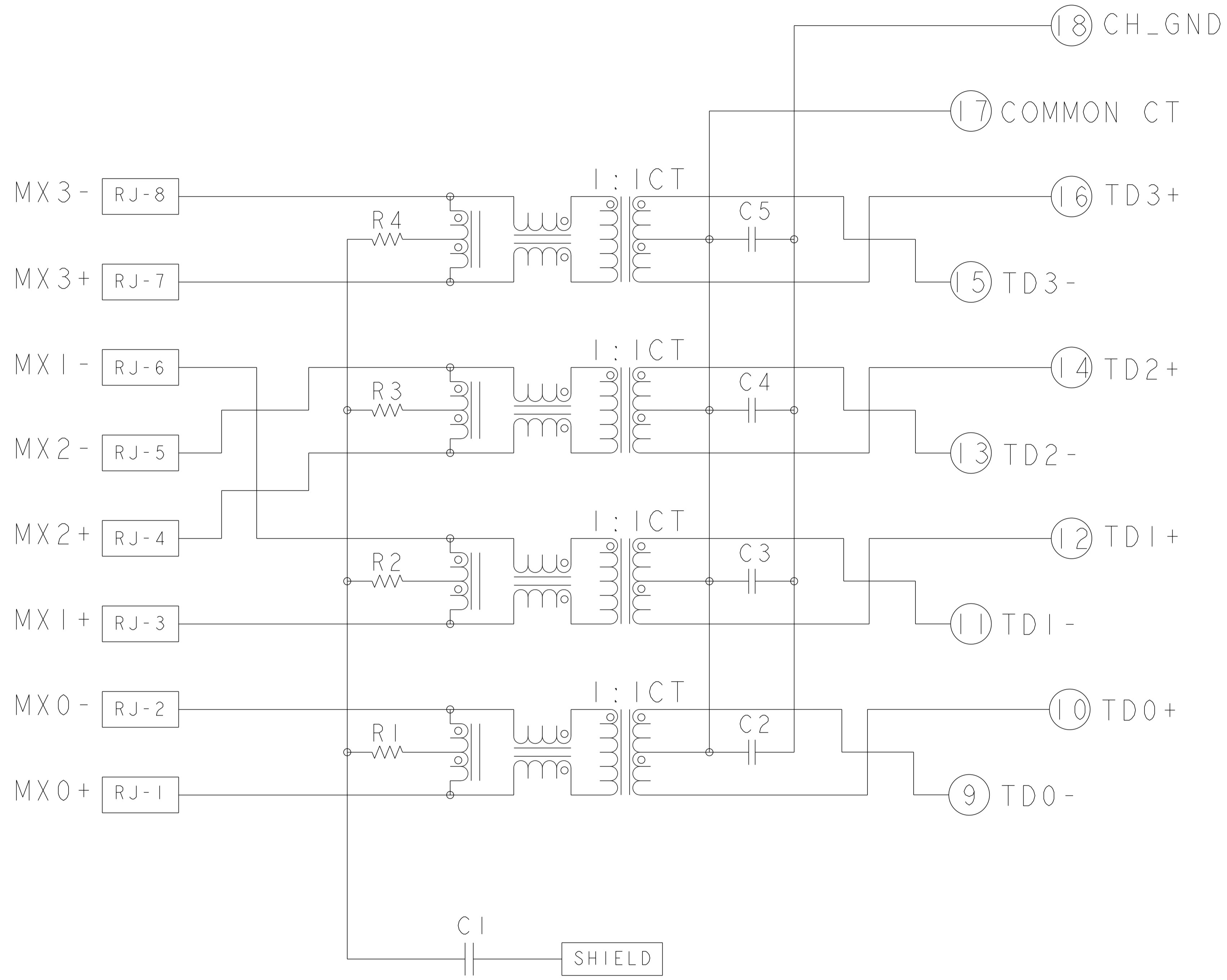
SIZE: A1 CAGE CODE: 00779 DRAWING NO: 6620000



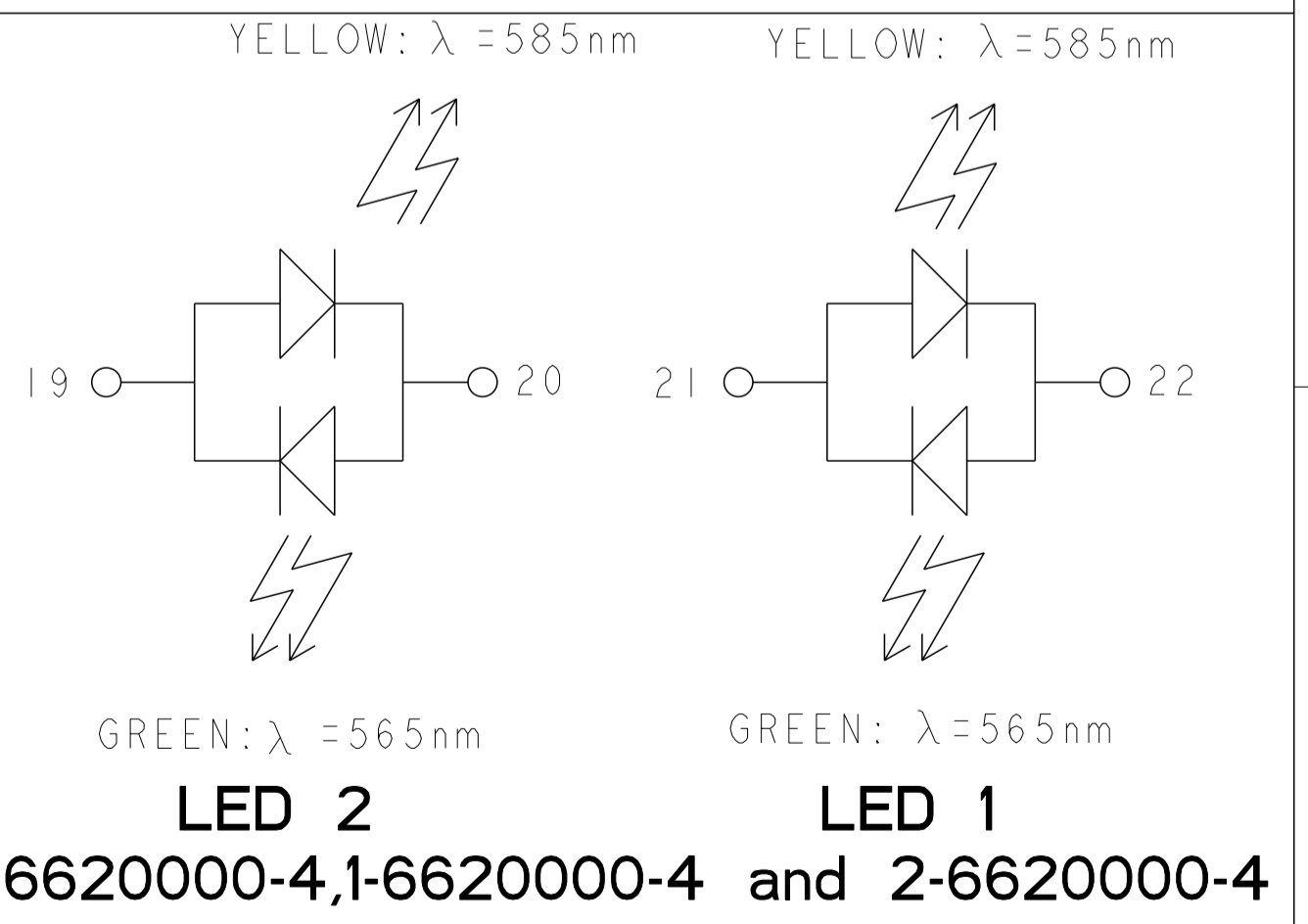
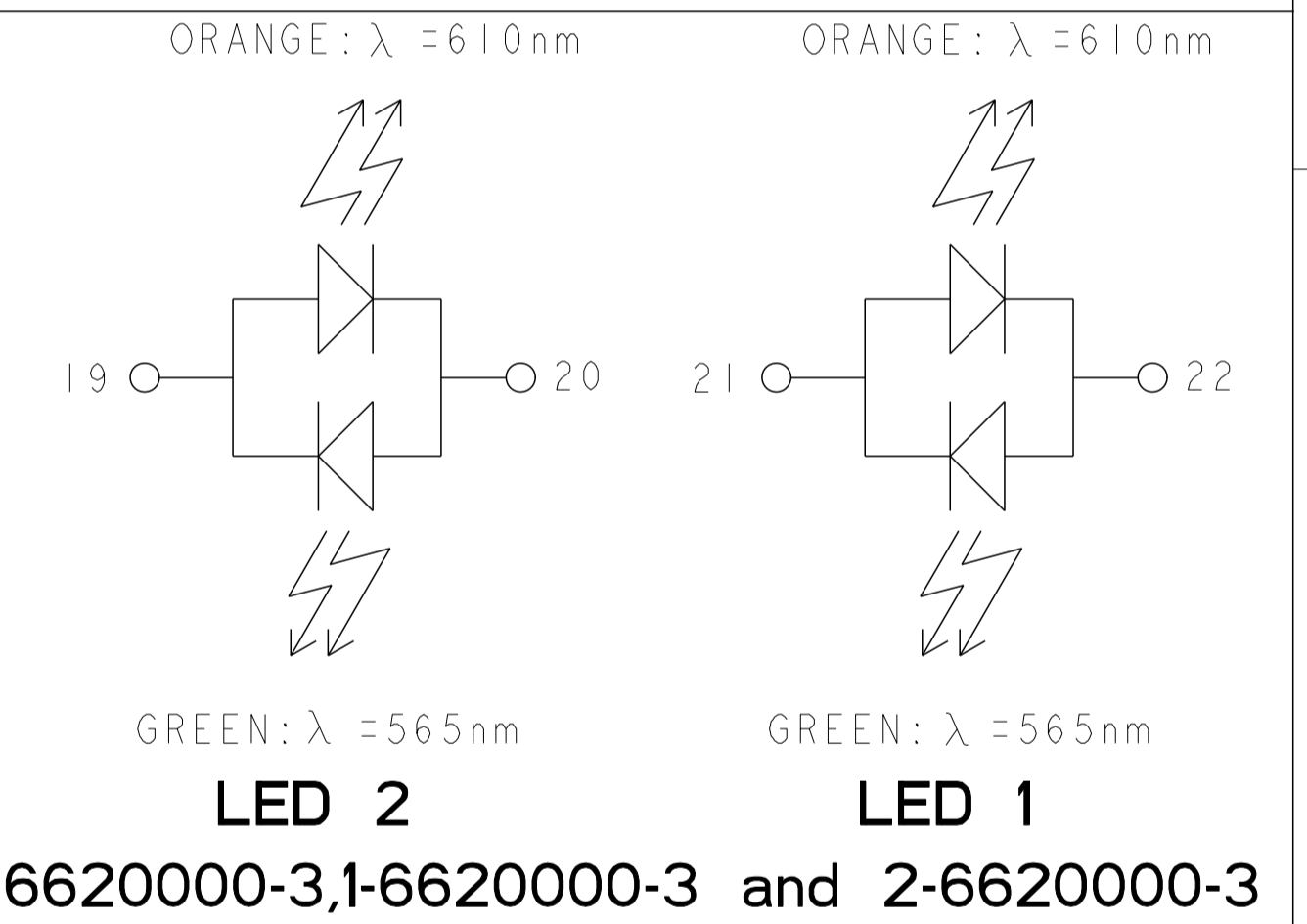
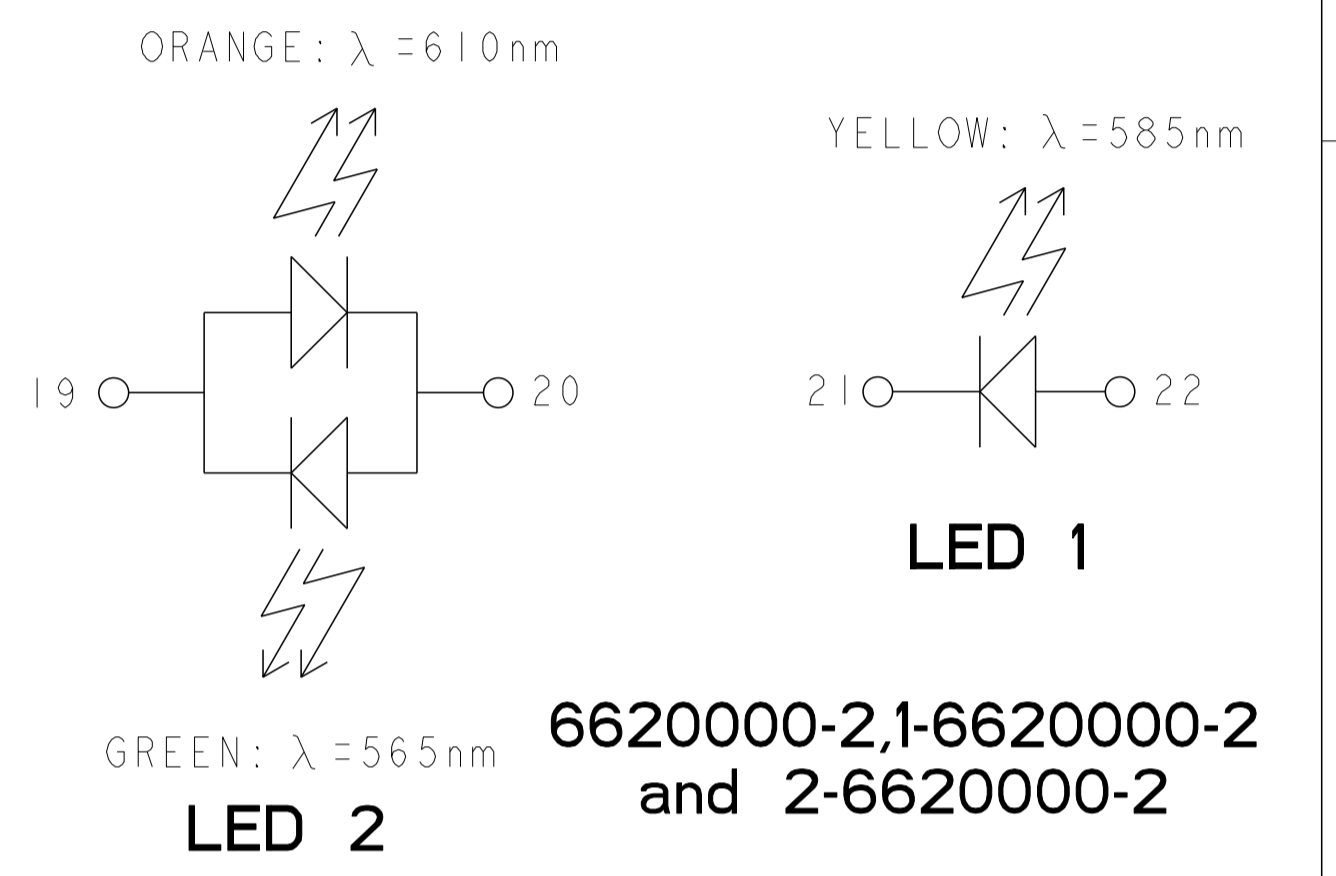
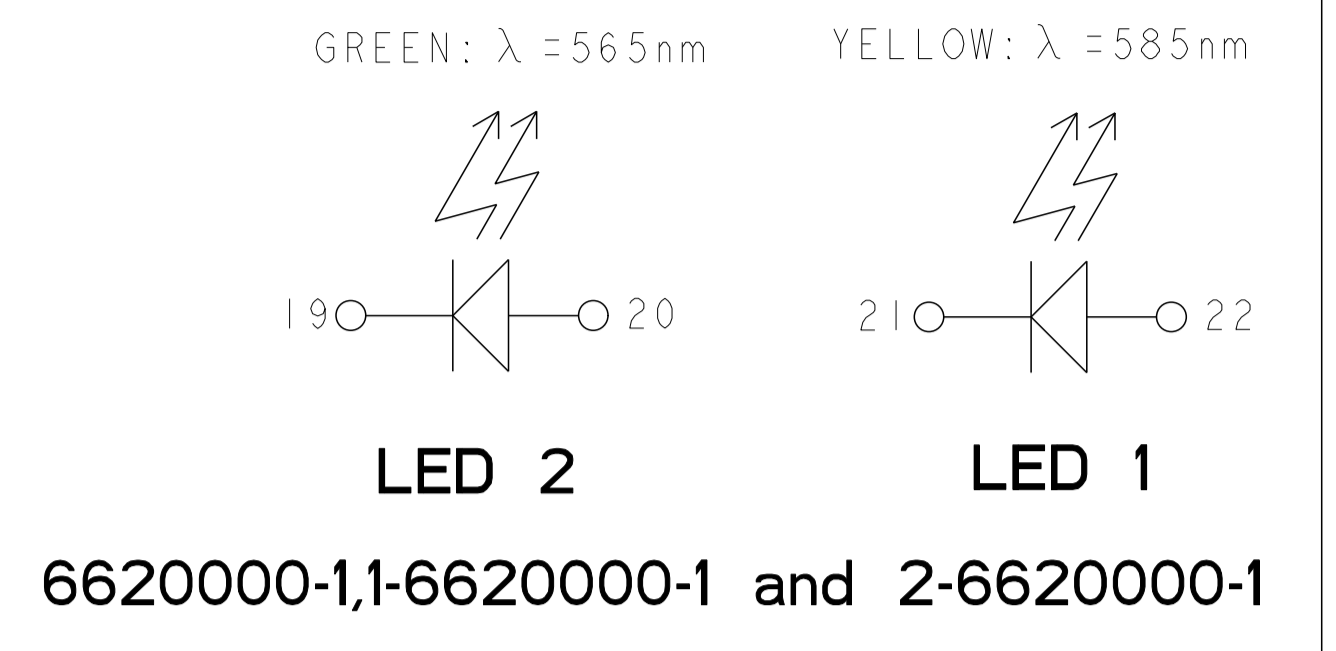
RECOMMENDED P.C.B. FOOTPRINT
COMPONENT SIDE

THIS DRAWING IS A CONTROLLED DOCUMENT.		DWN VIC SLACK/LA MAYER 28DEC2005		TRP connector Dongguan China	
DIMENSIONS: mm		CHK P. D'AMATO 28DEC2005			
TOLERANCES UNLESS OTHERWISE SPECIFIED:		APVD S. FLICKINGER 28DEC2005		NAME RJ45 OVER DUAL USB MAG45 TM	
0 PLC ±	1 PLC ±	2 PLC ±0.25	3 PLC ±	4 PLC ±	APPLICATION SPEC
MATERIAL SEE NOTE 1		FINISH SEE NOTE 1		WEIGHT -	
CUSTOMER DRAWING		SCALE 2:1		SHEET 2 OF 3 REV F	

Circuit UR3G05 Schematic



R1 - R4 = 75 Ohms, 1/16W, 5% RESISTORS
 C1 = 1000pF, 2kV DECOUPLING CAPACITOR
 C2 - C5 = 1000pF, 10%, 50V, X7R CAPACITORS



THIS DRAWING IS A CONTROLLED DOCUMENT.		DATE: 28DEC2005	 TRP connector Dongguan China
DRAWN: VIC SLACK/L.A. MAYER		CHK: P. D'AMATO	
DIMENSIONS: mm		DATE: 28DEC2005	NAME: RJ45 OVER DUAL USB MAG45 TM UR3G05, GIGABIT CIRCUIT, W/LEDS
TOLERANCES UNLESS OTHERWISE SPECIFIED:		APVD: S. FLICKINGER	
0 PLC ±	1 PLC ±	PRODUCT SPEC	SIZE: A
2 PLC ±0.25	3 PLC ±	APPLICATION SPEC	CAGE CODE: 6620000
4 PLC ±	ANGLES ±	MATERIAL: SEE NOTE 1	REV: F
FINISH: SEE NOTE 1		WEIGHT: -	SCALE: 8:1
CUSTOMER DRAWING		SHEET: 3 OF 3	REV: F