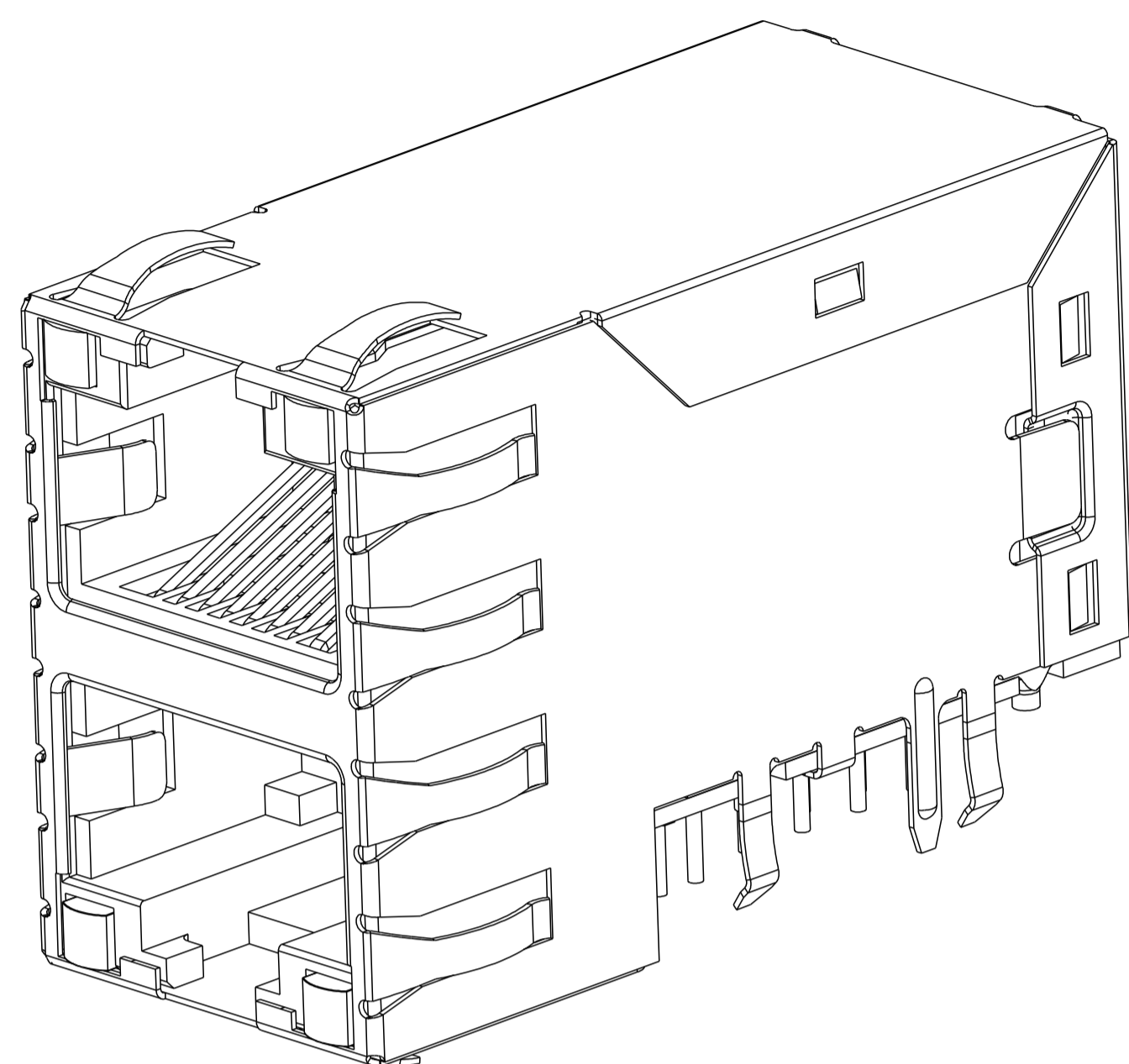
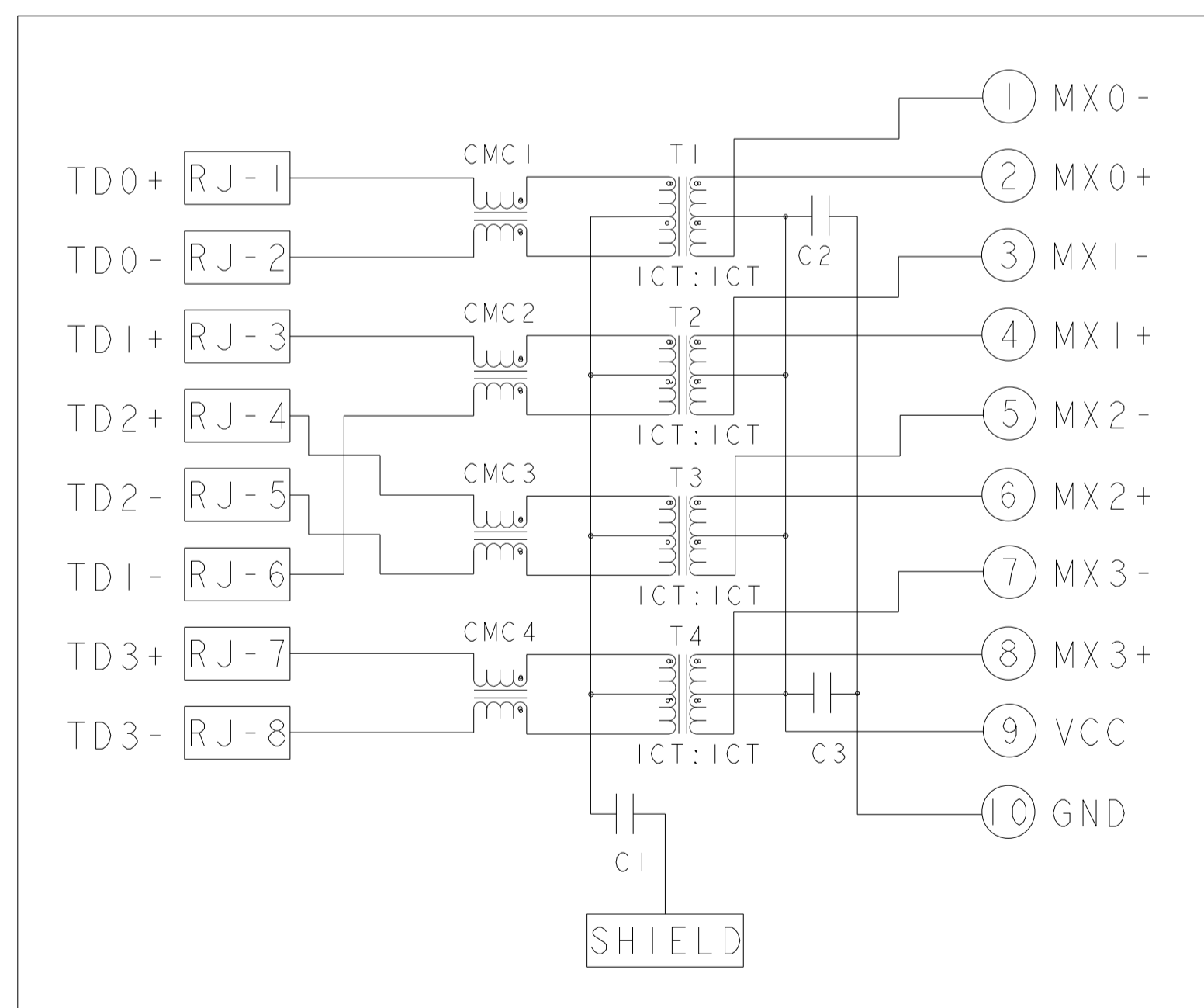


REVISIONS				
P	LTR	DESCRIPTION	DATE	OWN APVD
C		LOGO CHANGE	18APR2013	GZ KZ

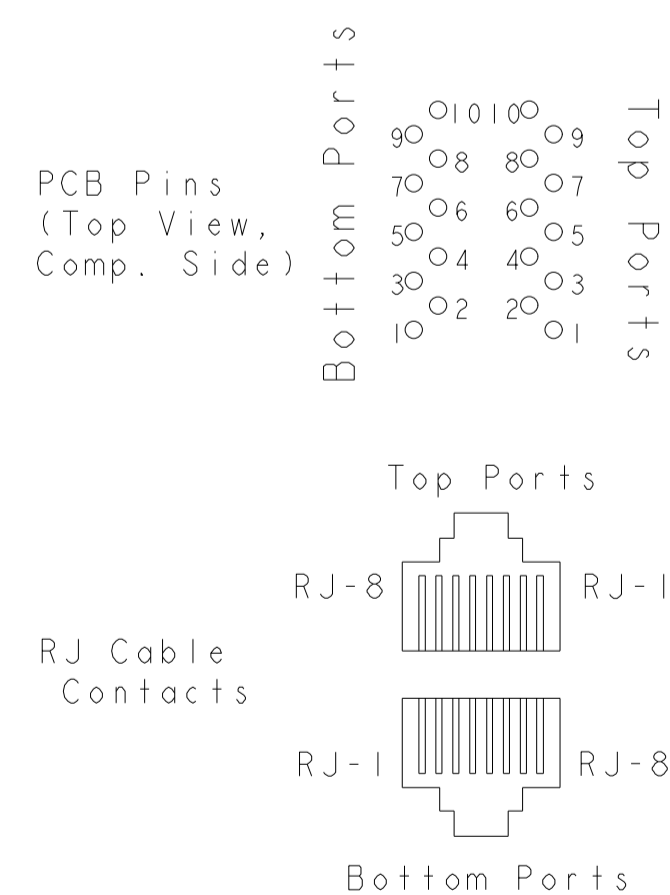


S8G28 GIGABIT CIRCUIT
Top and Bottom Ports



C1=1000pF, 2kV, ±10%, X7R Decoupling cap
C2-C3=470PF, 50V, ±5% Capacitors

Pin Designations
(Repeat for each vertical pair of ports..)



1. MATERIALS:

- HOUSING: THERMOPLASTIC, BLACK, FLAMMABILITY RATING UL 94V-0.
- SHIELD: BRASS, PREPLATED WITH 0.76um MIN SEMI-BRIGHT NICKEL, POST DIPPED WITH 2.54um MIN SAC SOLDER ON SOLDER TAILS.
- CONTACTS: PHOSPHOR BRONZE, PLATED WITH 1.27um MIN OVERALL NICKEL UNDERPLATE, SELECTIVE 1.27um MIN GOLD AT MATING INTERFACE AND 2.54um MIN MATTE TIN ON SOLDER TAILS.
- LED: DIFFUSED EPOXY LENS, CARBON STEEL LEAD FRAME LEADS, PREPLATED WITH 2.03um MIN SILVER OVER 1.02um MIN NICKEL OVER 1.02um MIN COPPER UNDERPLATE, POST PLATED WITH 2.54um MIN MATTE TIN AND/OR 2.54um MIN SAC SOLDER DIP OR PURE TIN SOLDER DIP.

2. MAGNETICS

- APPLICATION: 10/100/1000 BASE-T
- IMPEDANCE: 100 Ohms
- TURNS RATIO (CHIP:CABLE): 1:1 ALL FOUR PAIRS
- OPEN CIRCUIT INDUCTANCE (OCL): 350uH MIN @100kHz, 0.1VRMS, 8mADC BIAS FROM 0 °C TO 70 °C, ALL FOUR PAIRS
- ALL FOUR PAIRS BI-DIRECTIONAL
- PERFORMANCE @ 25 °C:
 - INSERTION LOSS (IL): 1.1dB MAX FROM 0.5MHz TO 100MHz
 - RETURN LOSS (RL): 18dB MIN FROM 0.5MHz TO 40MHz
 - 12-20LOG(f/80)dB MIN FROM 40.1MHz TO 100MHz
 - CROSSTALK ATTENUATION: 35dB MIN FROM 0.5MHz TO 40MHz
 - 33-20LOG(f/50)dB MIN FROM 40.1MHz TO 100MHz
 - COMMON MODE REJECTION RATIO (CMRR):
 - 30dB MIN FROM 0.5MHz TO 100MHz
- ISOLATION VOLTAGE: COMPLIES WITH IEEE802.3 2002, PARA 40.6.1.1, ITEM b.

3. PART NUMBER, DATE CODE AND COUNTRY OF ORIGIN ARE LOCATED IN THE APPROXIMATE AREA SHOWN. DATE CODE: YY IS YEAR,WW IS WORK WEEK, D IS DAY OF WEEK, WITH SUNDAY=1.

4. TRP LOGO AND AGENCY APPROVAL LOGO ARE LOCATED IN THE APPROXIMATE AREA SHOWN.

5. RJ45 CAVITIES CONFORM TO FCC RULES AND REGULATION PART 68 SUBPART F.

6. LEDS ARE DRIVEN WITH CONSTANT CURRENT AT APPROX. 20mA.

- DOMINANT WAVELENGTH (λD)
- GREEN 568nm TYP AT IF=20mA
- YELLOW 588nm TYP AT IF=20mA
- FORWARD VOLTAGE(VF)
- GREEN 2.2V TYP AT IF=20mA
- YELLOW 2.1V TYP AT IF=20mA

7. INDICATED MAGNETIC CONNECTIONS ARE SYMMETRICAL AND SUPPORT AUTO-MDI/MDIX.

8. OPERATING TEMPERATURE: FROM 0 °C TO 70 °C

9. THE PARTS ARE RECOMMENDED FOR WAVE SOLDERING PROCESS, PEAK TEMPERATURE 260 °C MAX. 10 SECONDS MAX.

GREEN	GREEN/YELLOW	GREEN	GREEN/YELLOW	4-1840331-5
GREEN	YELLOW/GREEN	GREEN	YELLOW/GREEN	1840331-3
GREEN	YELLOW	GREEN	YELLOW	1840331-2
GREEN	GREEN	GREEN	GREEN	1840331-1
TOP LEFT LED	TOP RIGHT LED	BOTTOM LEFT LED	BOTTOM RIGHT LED	PART NUMBER

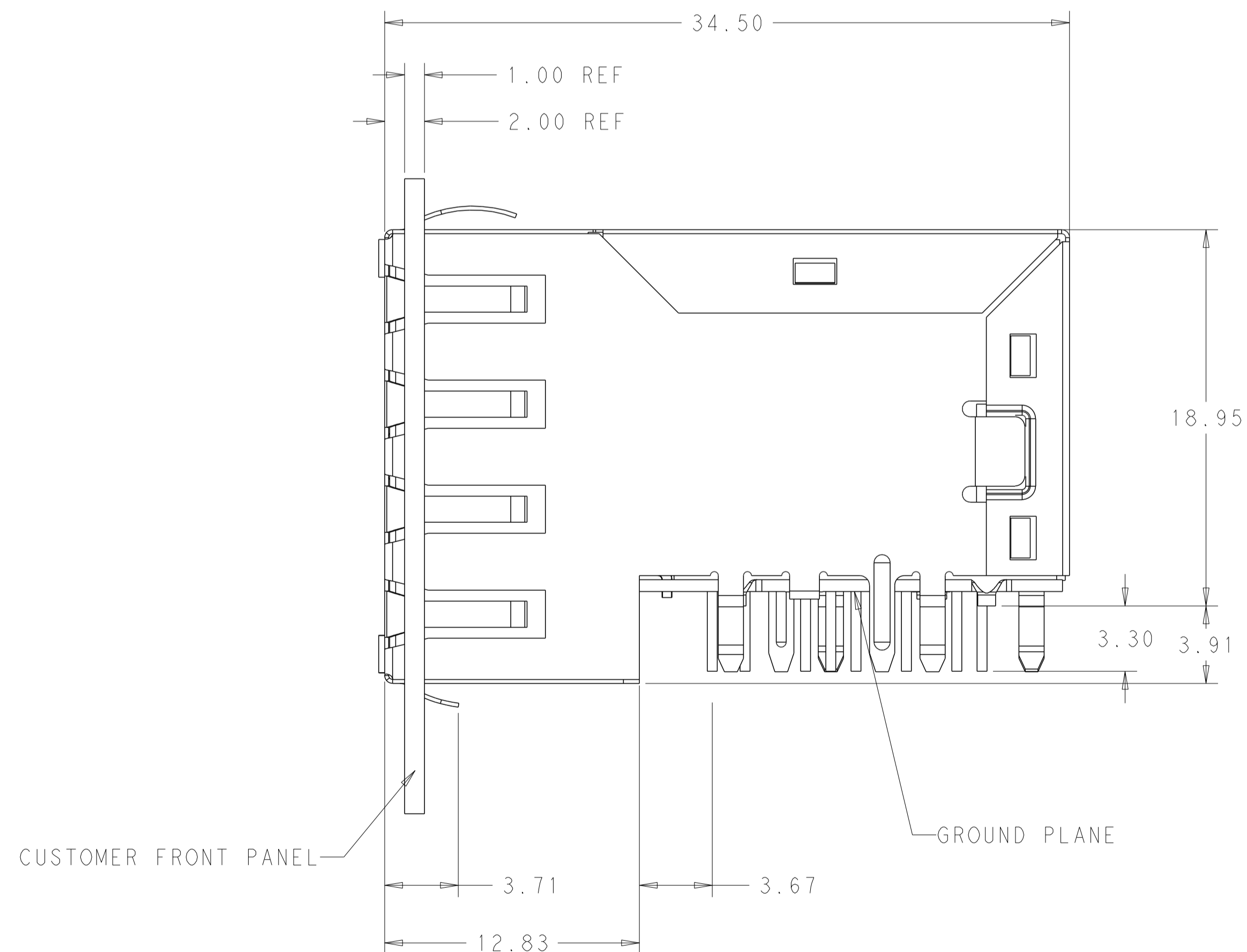
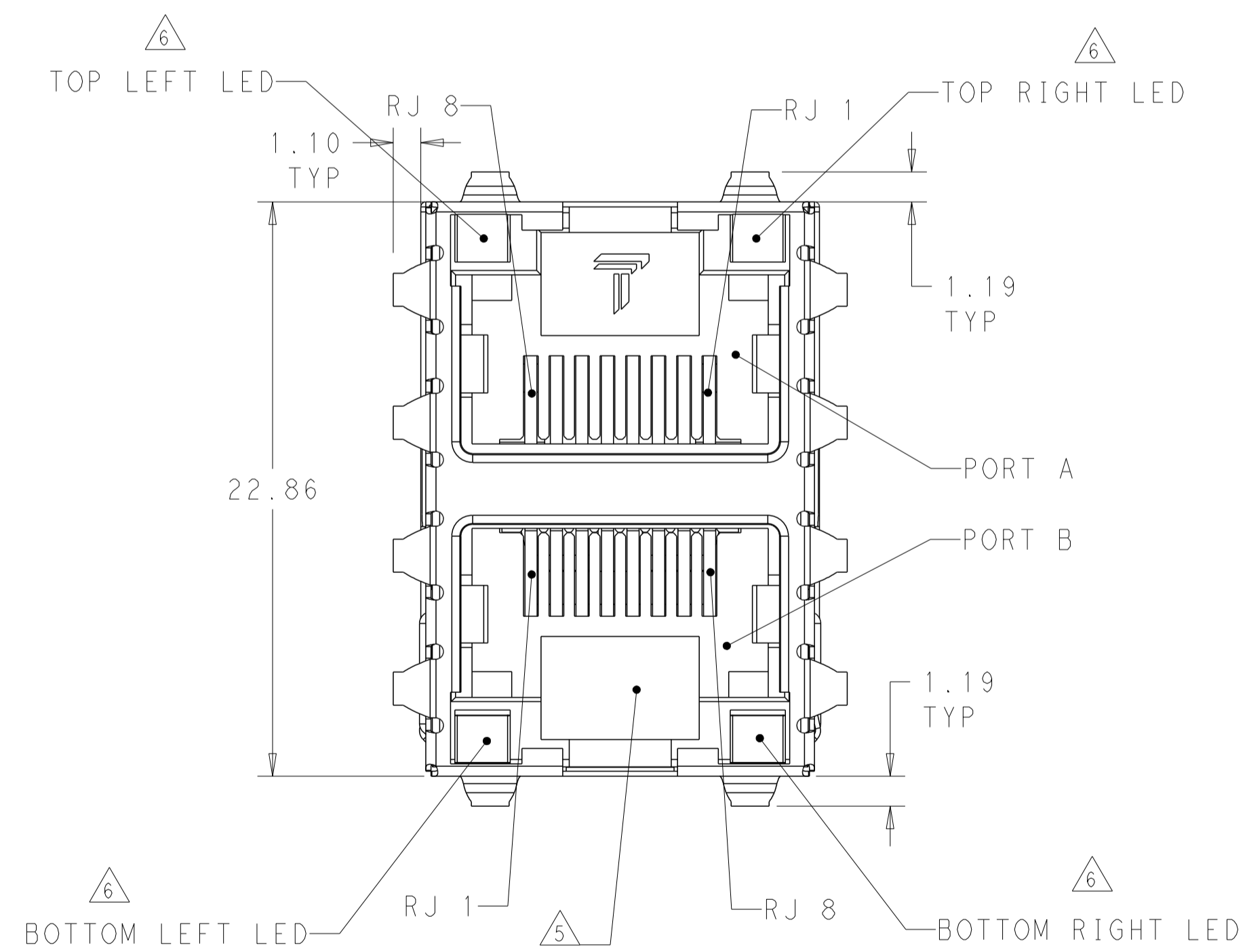
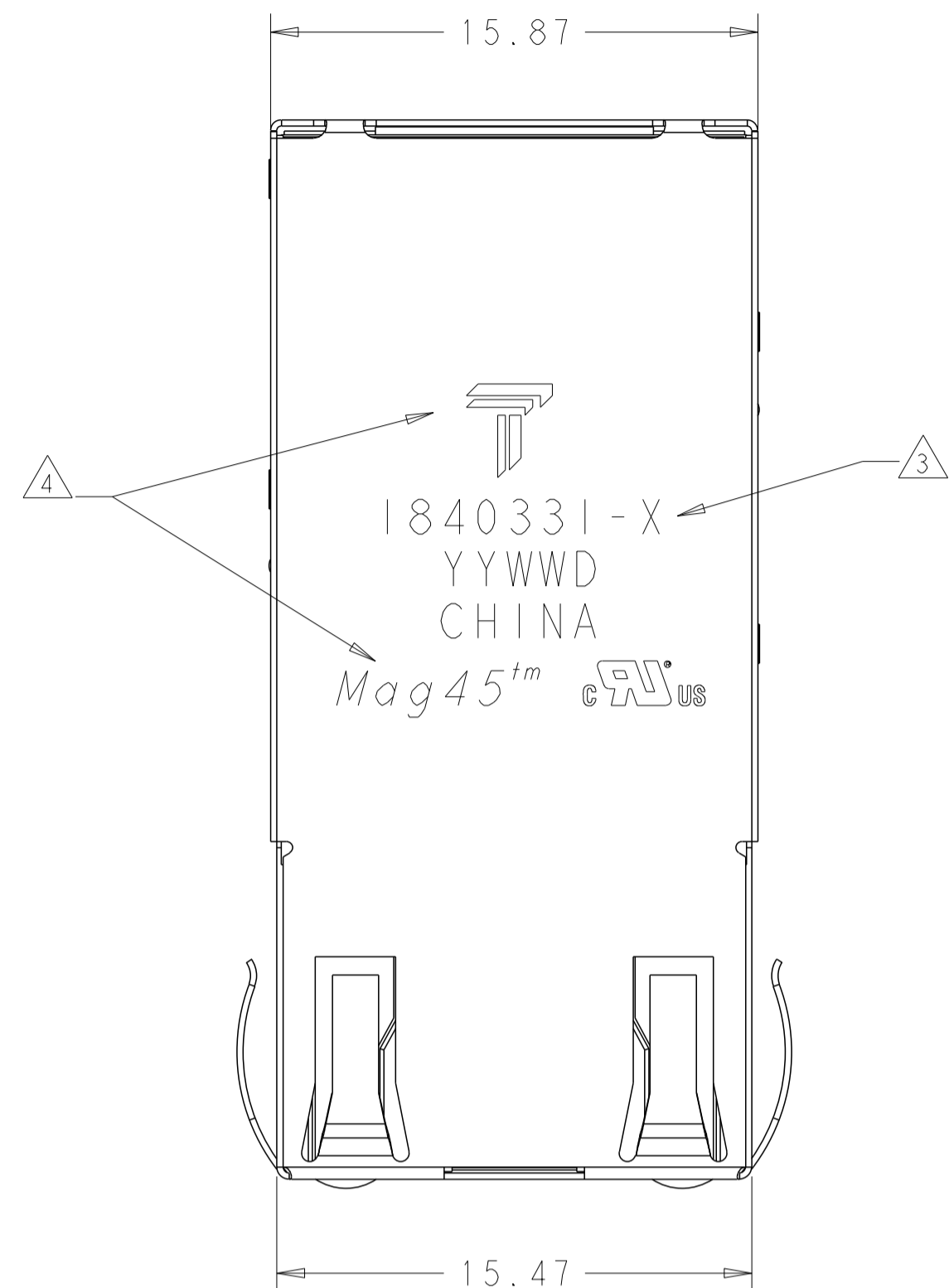
THIS DRAWING IS A CONTROLLED DOCUMENT.

APVD	08JAN2009	OWN	RICHARD QIAN
CHK	08JAN2009	OWN	SEAN HE
DESIGN	08JAN2009	OWN	LI JIUN RAO

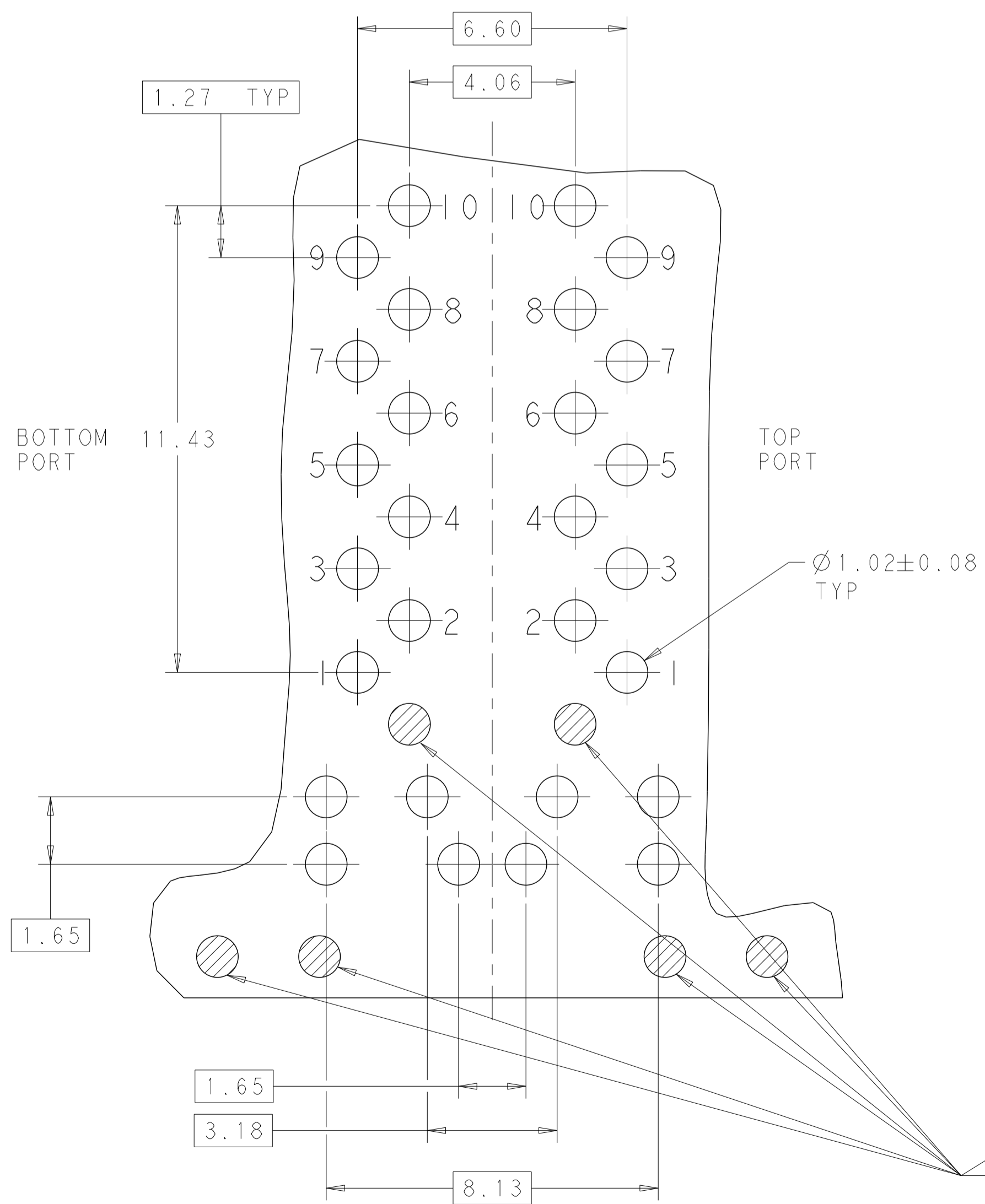
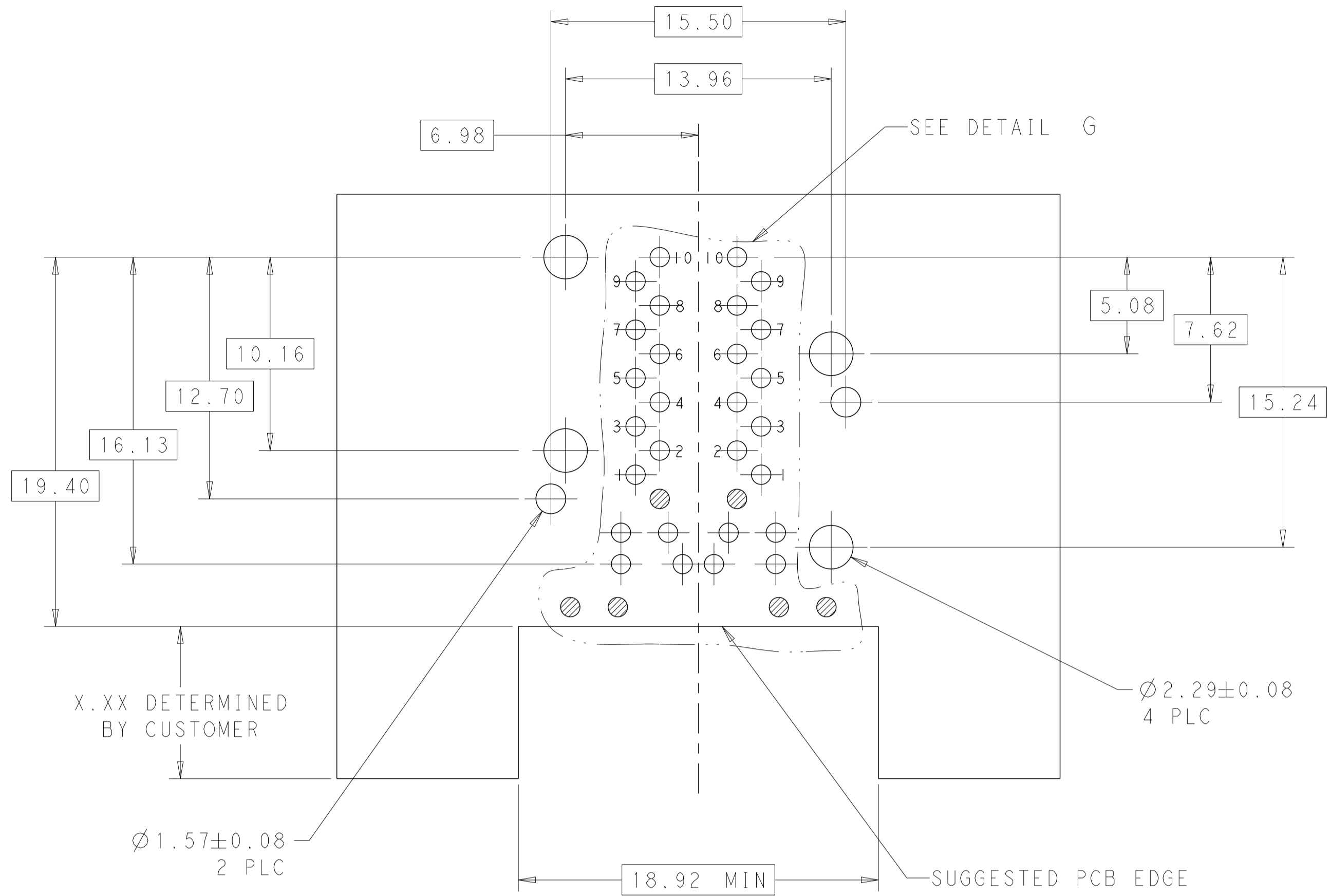
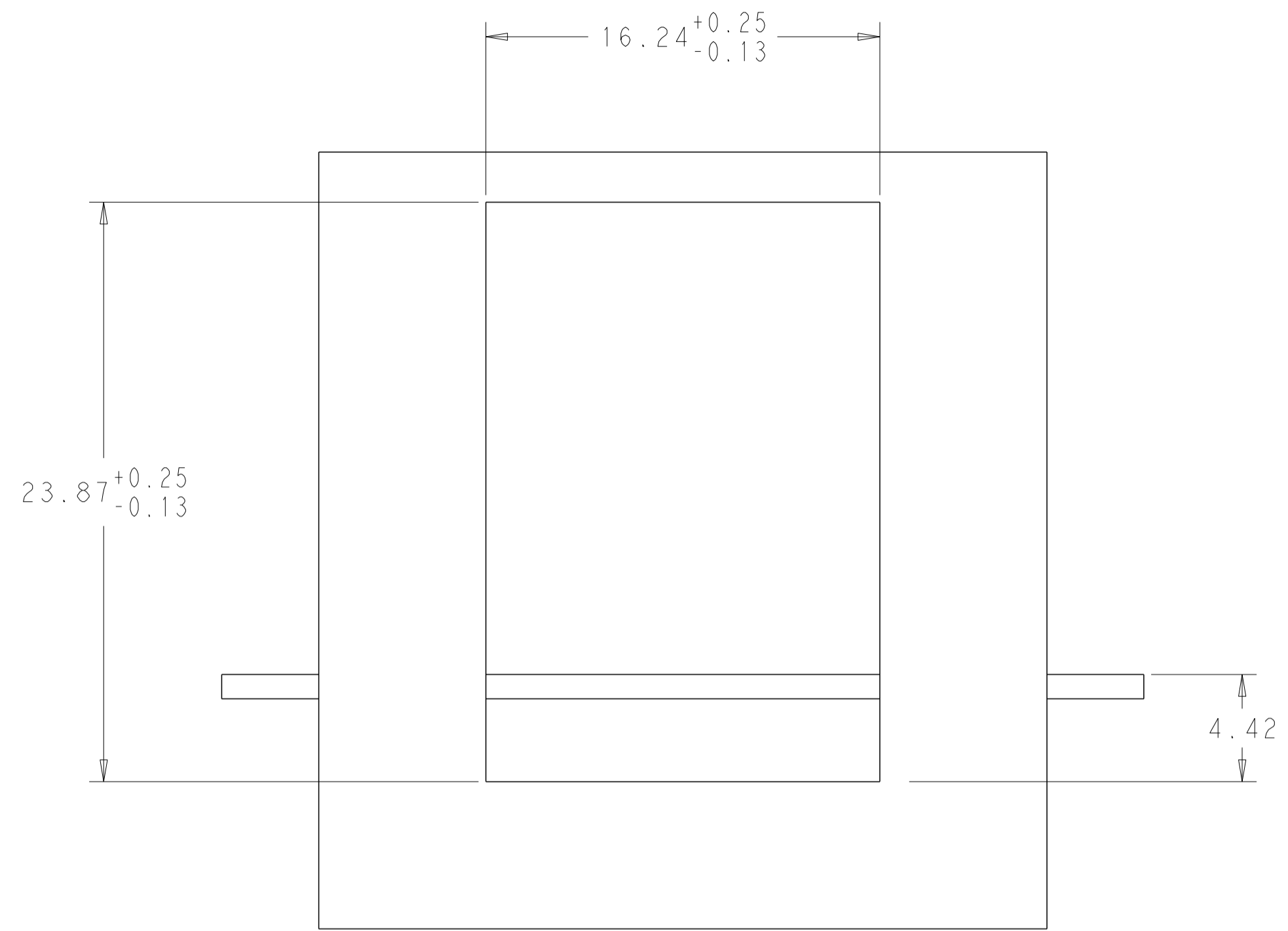
TRP connector
Dongguan China

NAME: MAG45(TM) MODULE JACK, 2X1 OFFSET
S8G28 GIGABIT W/LED 10 PIN VERTICAL

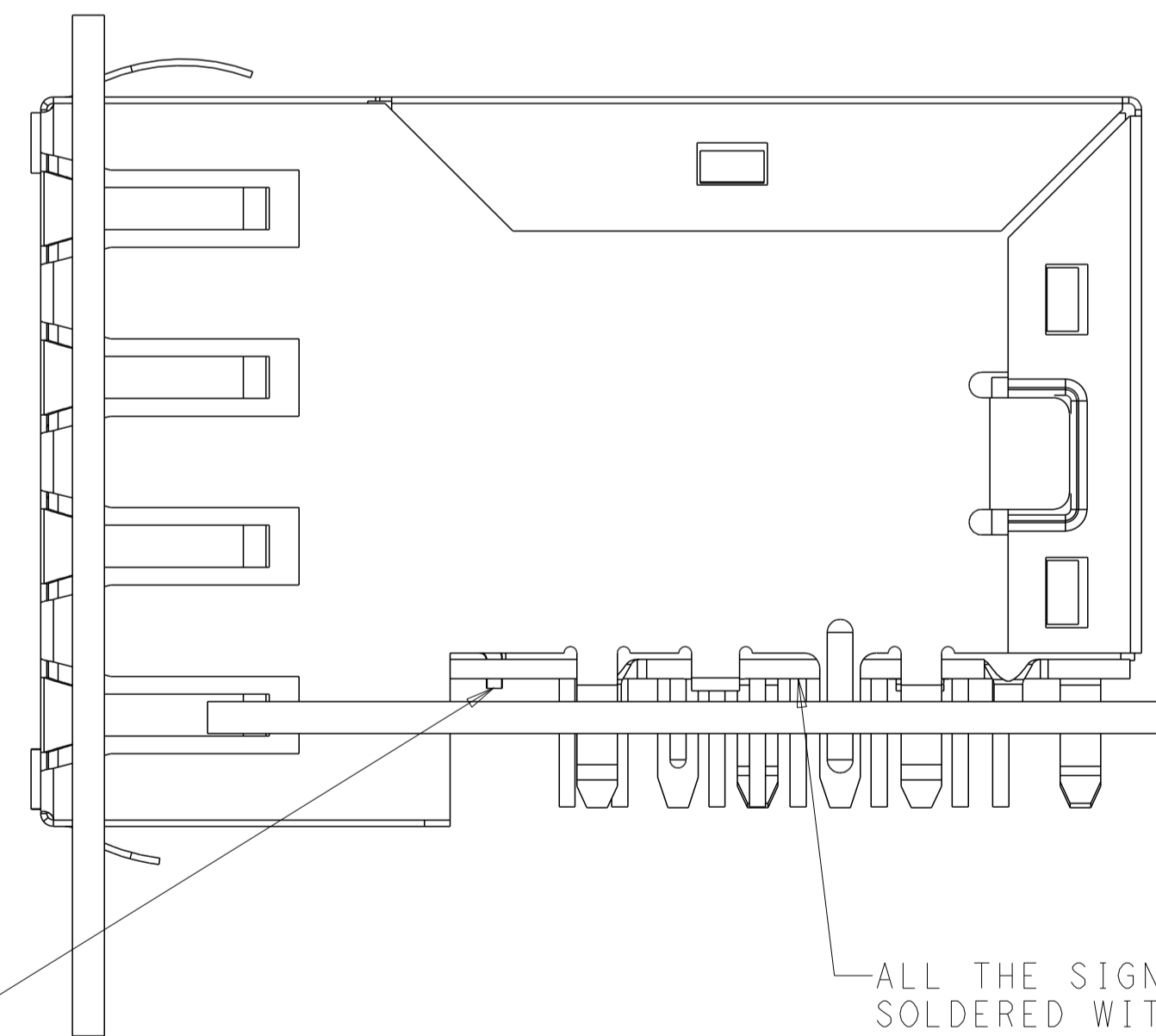
SIZE: A1
SCALE: 5:1
SHEET: 1 OF 4
REV: C



THIS DRAWING IS A CONTROLLED DOCUMENT.		DATE: 08JAN2009	 TRP connector Dongguan China
DRAWN BY: RICHARD QIAN		CHK: SEAN HE	
DIMENSIONS: mm		APVD: LIJUN RAO	
TOLERANCES UNLESS OTHERWISE SPECIFIED:		PRODUCT SPEC	NAME: MAG45(TM) MODULE JACK, 2X1 OFFSET
0 PLC ±		108-104004	SIZE: S8G28 GIGABIT W/LED 10 PIN VERTICAL
1 PLC ±		APPLICATION SPEC	SIZE: A1
2 PLC ±			SCALE: 5:1
3 PLC ±0.25			SHEET: 2 OF 4
4 PLC ±			REV: C
ANGLES ±			
MATERIAL	FINISH	WEIGHT	
CUSTOMER DRAWING		SCALE: 5:1	SHEET: 2 OF 4



RECOMMENDED PC BOARD LAYOUT VIEWED FROM COMPONENT SIDE

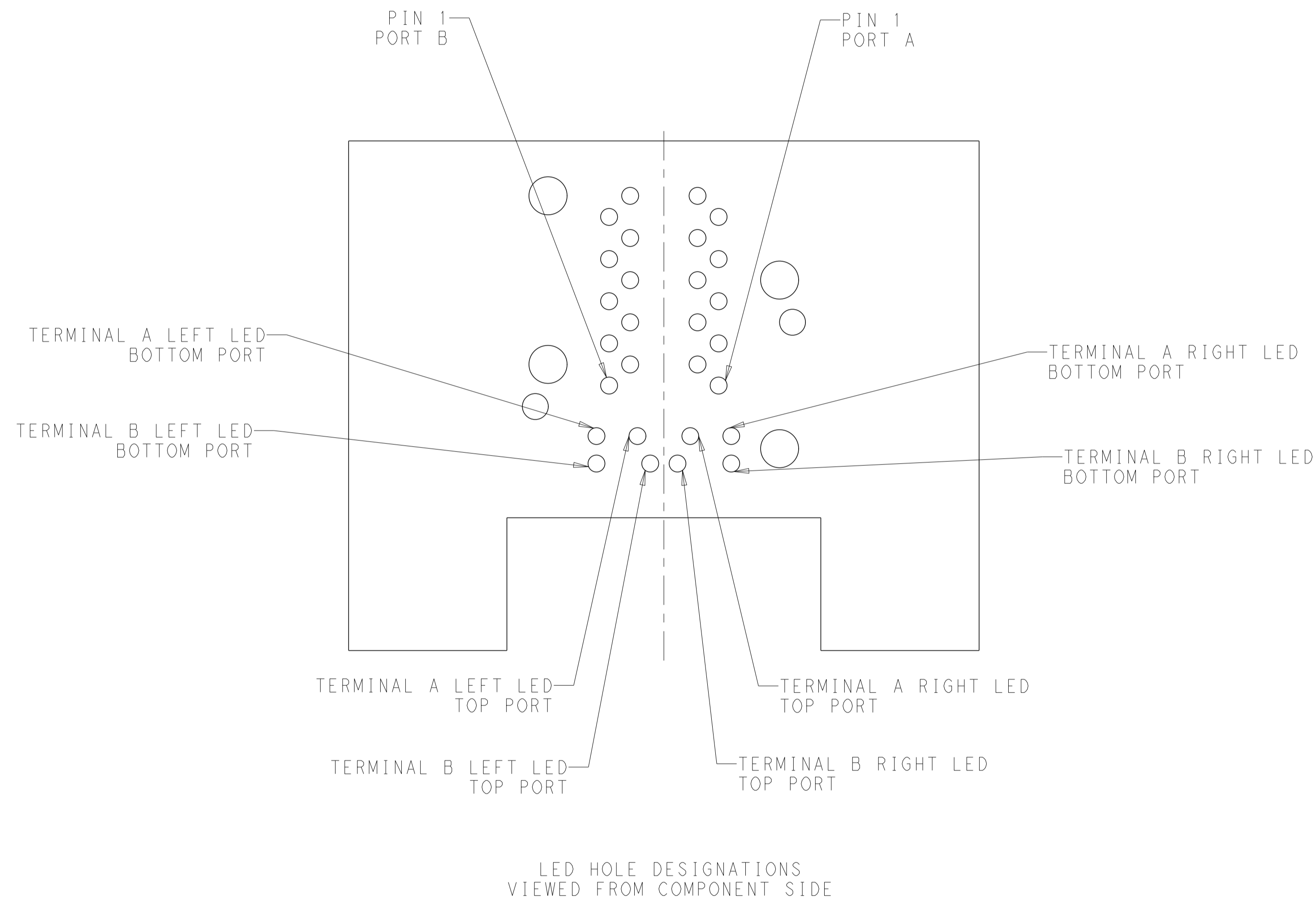


ALL THE SIGNAL PINS MUST BE SOLDERED WITH BOTTOM PCB.

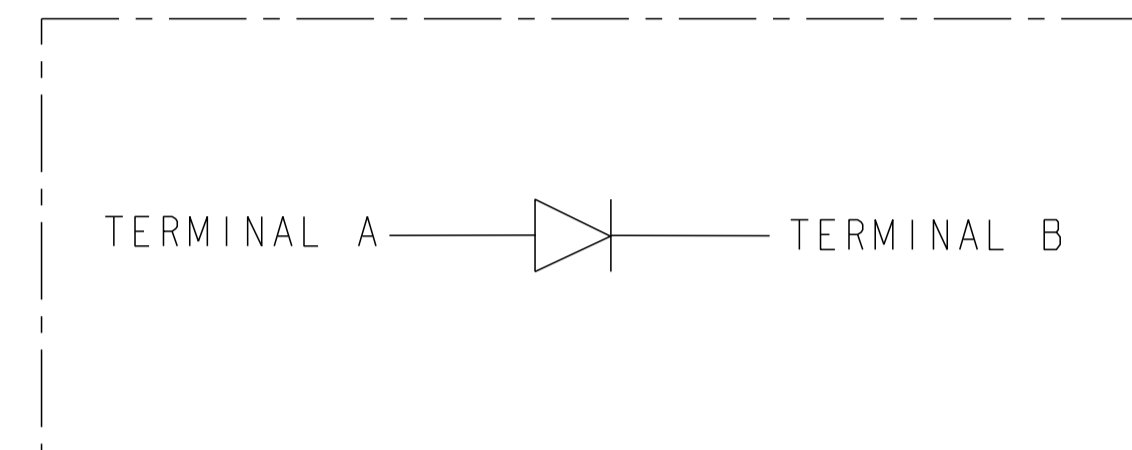
PIN 0#: BOTTOM LED'S PIN ON MODULAR JACK AND BOTTOM PCB ARE STUB PINS WITH LENGTH SIMILAR TO PCB STANDOFF HEIGHT. PRECAUTIONS SHOULD BE TAKEN IN PCB DESIGN TO GUARD AGAINST SHORTING TRACES TO STUB PINS.

DETAIL G SCALE 10:1

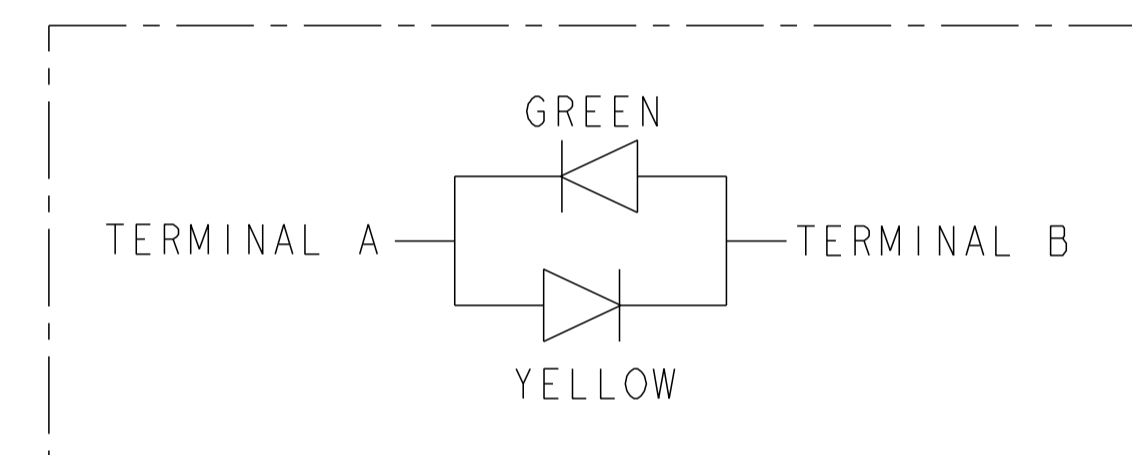
THIS DRAWING IS A CONTROLLED DOCUMENT.		DATE: 08JAN2009	TRP connector
DRAWN BY: RICHARD QIAN		DATE: 08JAN2009	Dongguan China
CHECKED BY: SEAN HE		DATE: 08JAN2009	
APPROVED BY: LIJUN RAO		DATE: 08JAN2009	
DIMENSIONS: mm		PRODUCT SPEC: 108-104004	NAME: MAG45(TM) MODULE JACK, 2X1 OFFSET
TOLERANCES UNLESS OTHERWISE SPECIFIED:		APPLICATION SPEC: -	SIZE: A1
0 PLC ±		WEIGHT: -	SCALE: 5:1
1 PLC ±		CUSTOMER DRAWING	SHEET 3 OF 4
2 PLC ±			REV C
3 PLC ±0.25			
4 PLC ±			
ANGLES ±			
FINISH			



SINGLE COLOR LED

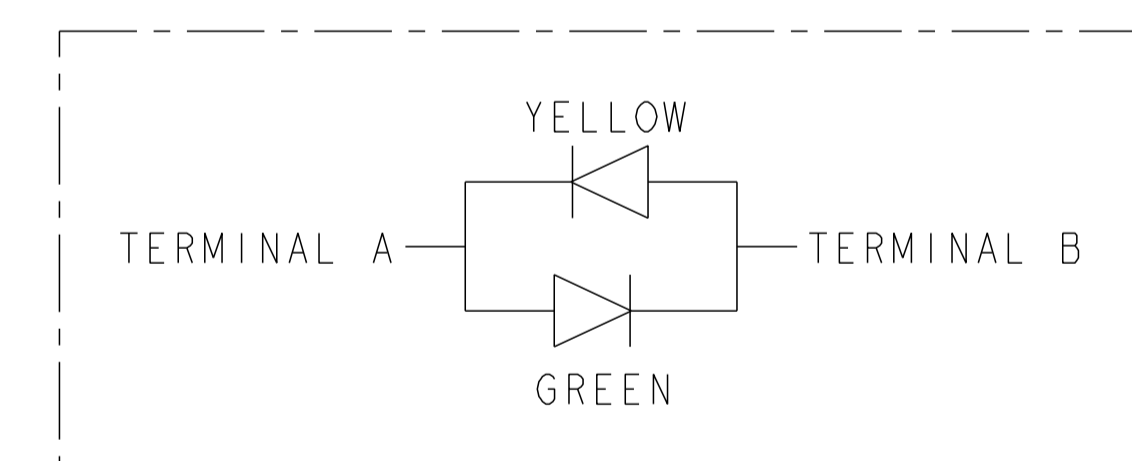


BI COLOR LED



THE SCHEMETICS FOR 1840331-3

BI COLOR LED



THE SCHEMETICS FOR 4-1840331-5

THIS DRAWING IS A CONTROLLED DOCUMENT.		DWG 08JAN2009 CHK RICHARD QIAN 08JAN2009 SEAN HE 08JAN2009 APVD 11 JIN RAO 08JAN2009		TRP connector Dongguan China	
DIMENSIONS:	mm	TOLERANCES UNLESS OTHERWISE SPECIFIED:	0 PLC ±	1 PLC ±	2 PLC ±
			3 PLC ±0.25	4 PLC ±	ANGLES ±
			FINISH		
MATERIAL		WEIGHT			
CUSTOMER DRAWING			SCALE	5:1	SHEET 4 OF 4
NAME			MAG45(TM) MODULE JACK, 2X1 OFFSET		
APPLICATION SPEC			S8G28 GIGABIT W/LED 10 PIN VERTICAL		
SIZE			A1		
DRAWING NO.			C=1840331		
REV			C		