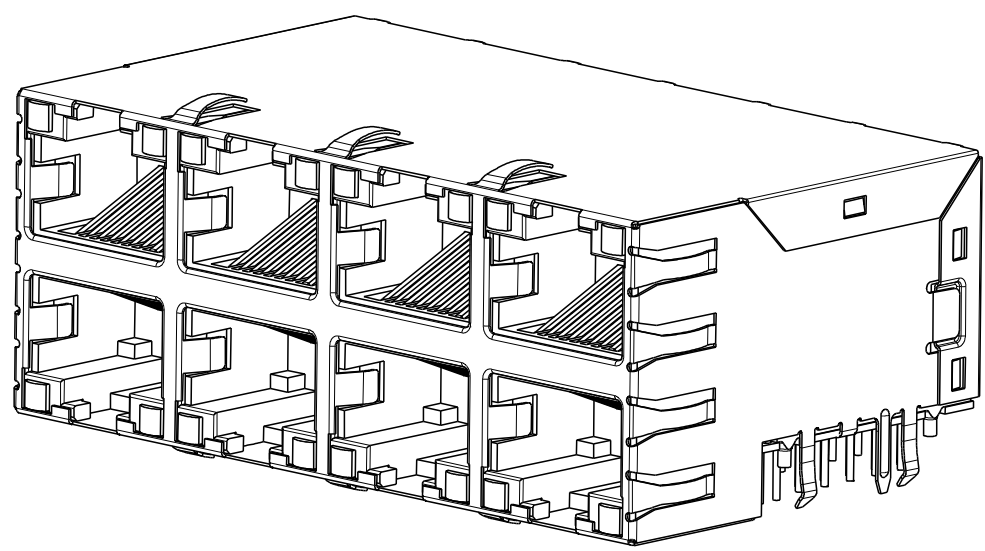
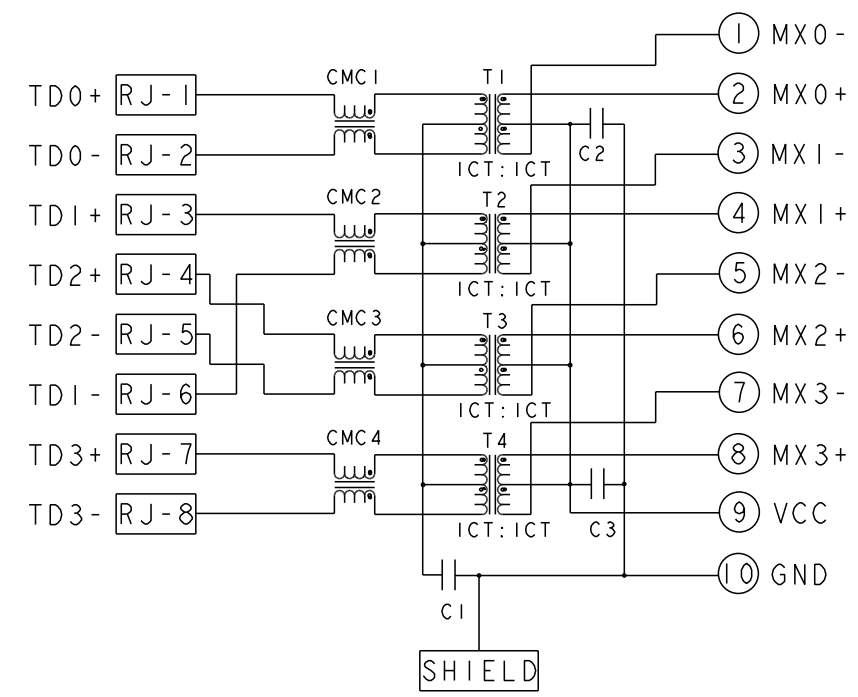


REVISIONS				
P	LYR	DESCRIPTION	DATE	BY
C		LOGO CHANGE	02APR2013	TR KZ



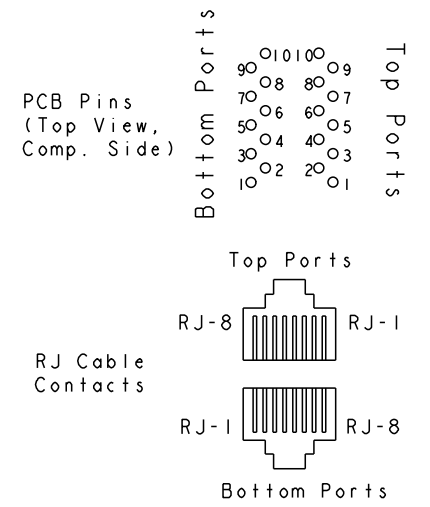
- 1 MATERIALS:**
- HOUSING: THERMOPLASTIC, BLACK, FLAMMABILITY RATING UL 94V-0.
  - SHIELD: BRASS, PREPLATED WITH 0.76um MIN SEMI-BRIGHT NICKEL, POST DIPPED WITH 2.54um MIN SAC SOLDER ON SOLDER TAILS.
  - CONTACTS: PHOSPHOR BRONZE, PLATED WITH 1.27um MIN OVERALL NICKEL UNDERPLATE, SELECTIVE 1.27um MIN GOLD AT MATING INTERFACE AND 2.54um MIN MATTE TIN ON SOLDER TAILS.
  - LED: DIFFUSED EPOXY LENS, CARBON STEEL LEAD FRAME LEADS, PREPLATED WITH 2.03um MIN SILVER OVER 1.02um MIN NICKEL OVER 1.02um MIN COPPER UNDERPLATE, POST PLATED WITH 2.54um MIN MATTE TIN AND/OR 2.54um MIN SAC SOLDER DIP OR PURE TIN SOLDER DIP.
- 2 MAGNETICS:**
- APPLICATION: 10/100/1000 BASE-T
  - IMPEDANCE: 100ohm
  - TURNS RATIO (CHIP:CABLE): 1:1 ALL FOUR PAIRS
  - OPEN CIRCUIT INDUCTANCE (OCL): 350uH MIN @100kHz, 0.1VRMS, 8mA DC BIAS FROM 0°C TO 70°C, ALL FOUR PAIRS
  - ALL FOUR PAIRS BI-DIRECTIONAL
  - PERFORMANCE @25°C:
    - INSERTION LOSS (IL): 1.1dB MAX FROM 0.5MHz TO 100MHz
    - RETURN LOSS (RL): 18dB MIN FROM 0.5MHz TO 40MHz
    - 12-20LOG(f/80)dB MIN FROM 40.1MHz TO 100MHz
    - CROSSTALK ATTENUATION: 35dB MIN FROM 0.5MHz TO 40MHz
    - 33-20LOG(f/50)dB MIN FROM 40.1MHz TO 100MHz
    - COMMON MODE REJECTION RATIO (CMRR): 30dB MIN FROM 0.5MHz TO 100MHz
  - ISOLATION VOLTAGE: COMPLIES WITH IEEE802.3 2002, PARA 40.6.1.1, ITEM b.

S8G17 GIGABIT MAGNETIC CIRCUIT **2** **7**



C1=1000pF, 2kV, ±10%, X7R  
C2,C3=100V, 470pF±10%, X7R

**Pin Designations**  
(Repeat for each vertical pair of ports.)



- 3** PART NUMBER, DATE CODE AND COUNTRY OF ORIGIN ARE LOCATED IN THE APPROXIMATE AREA SHOWN.
- 4** TRP LOGO AND AGENCY APPROVAL LOGO ARE LOCATED IN THE APPROXIMATE AREA SHOWN.
- 5** RJ45 CAVITIES CONFORM TO FCC RULES AND REGULATIONS PART 68 SUBPART F.
- 6** LED IS DRIVEN WITH CONSTANT CURRENT AT APPROX 20mA  
LED COLOR: DOMINANT WAVELENGTH (λD):  
GREEN 568 nm TYP at IF=20mA  
YELLOW 588 nm TYP at IF=20mA  
FORWARD VOLTAGE (VF):  
GREEN 2.2V TYP at IF=20mA  
YELLOW 2.1V TYP at IF=20mA
- 7** INDICATED MAGNETIC CONNECTIONS ARE SYMMETRICAL AND SUPPORT AUTO-MDI/MDIX.
- 8** OPERATING TEMPERATURE: FROM 0°C TO 70°C
- 9** THE PARTS ARE RECOMMENDED FOR WAVE SOLDERING PROCESS, PEAK TEMPERATURE 260 °C MAX. 10 SECONDS MAX.

GREEN/YELLOW	GREEN/YELLOW	GREEN/YELLOW	GREEN/YELLOW	3	6368592-3
GREEN	YELLOW	GREEN	YELLOW	3	6368592-2
GREEN	GREEN	GREEN	GREEN	3	6368592-1
TOP LEFT LED	TOP RIGHT LED	BOTTOM LEFT LED	BOTTOM RIGHT LED	REAR PCB GND TABS	PART NUMBER

THIS DRAWING IS A CONTROLLED DOCUMENT.

DATE: 15FEB2006	CHK: JEE LUO	APPROVED: TEDDY XIONG	TRP connector Dongguan China
DATE: 15FEB2006	CHK: KEITH ZHU	APPROVED: TEDDY XIONG	
DATE: 15FEB2006	CHK: TEDDY XIONG	APPROVED: TEDDY XIONG	

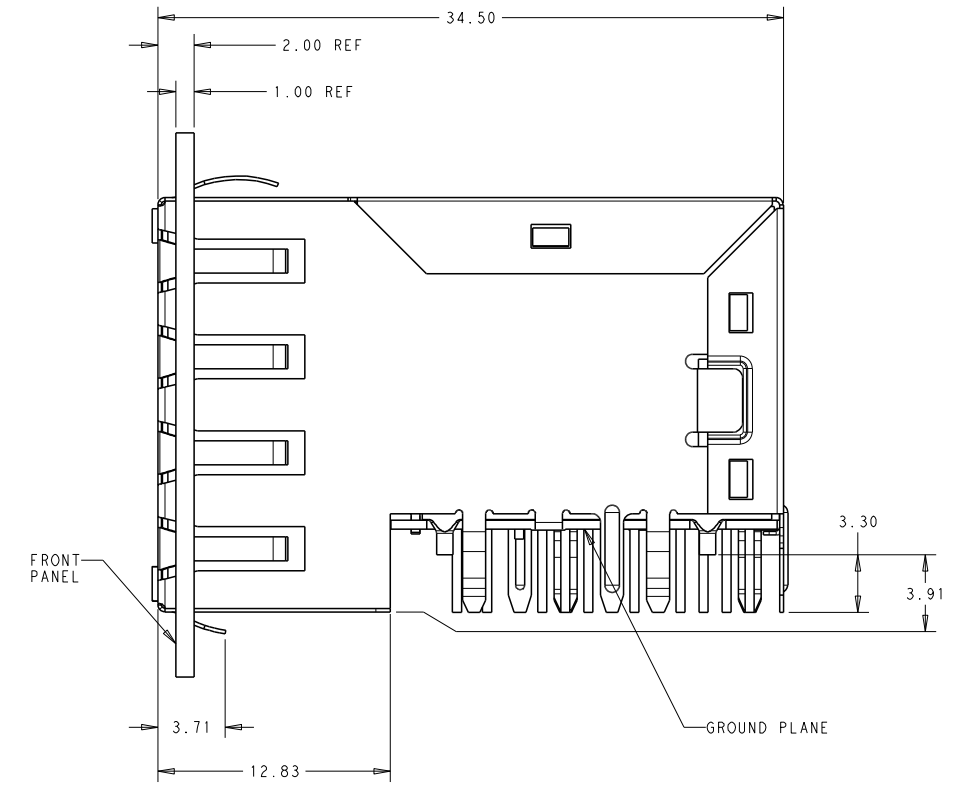
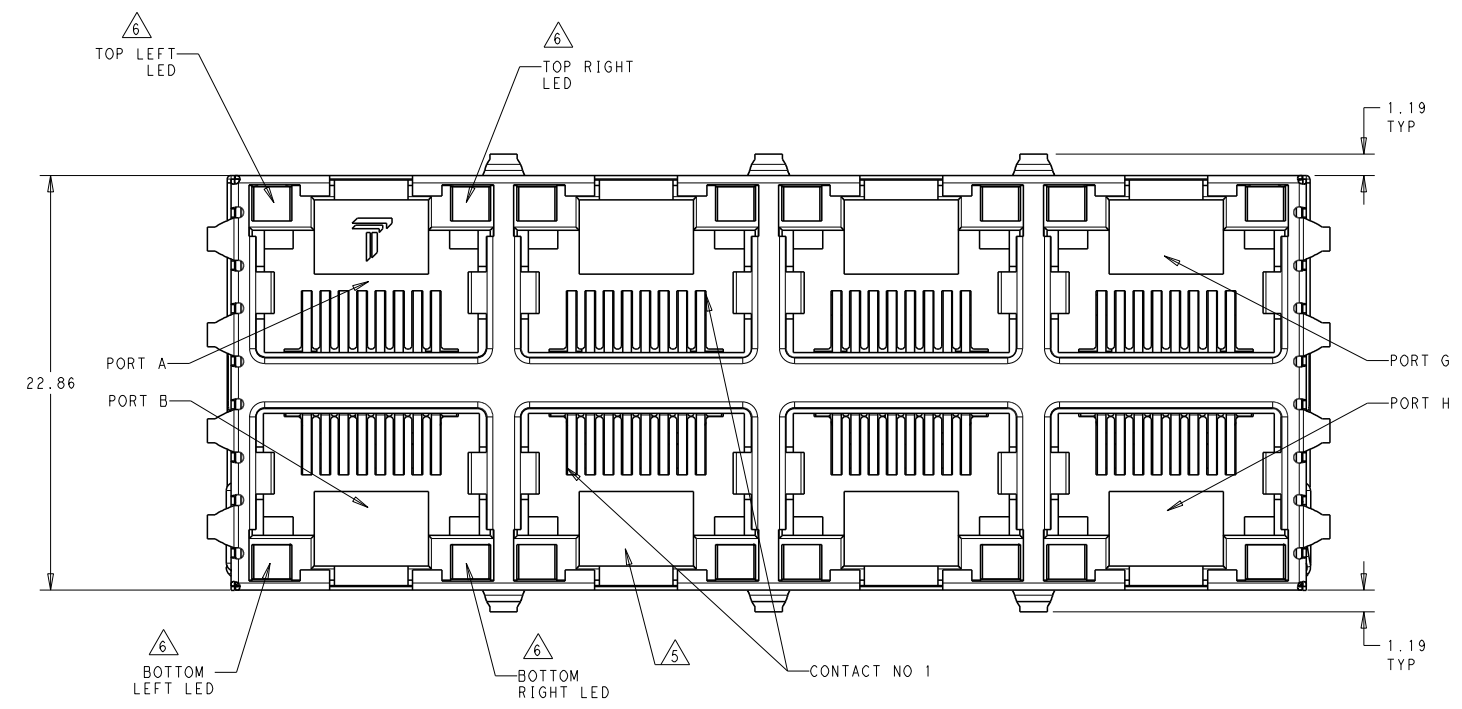
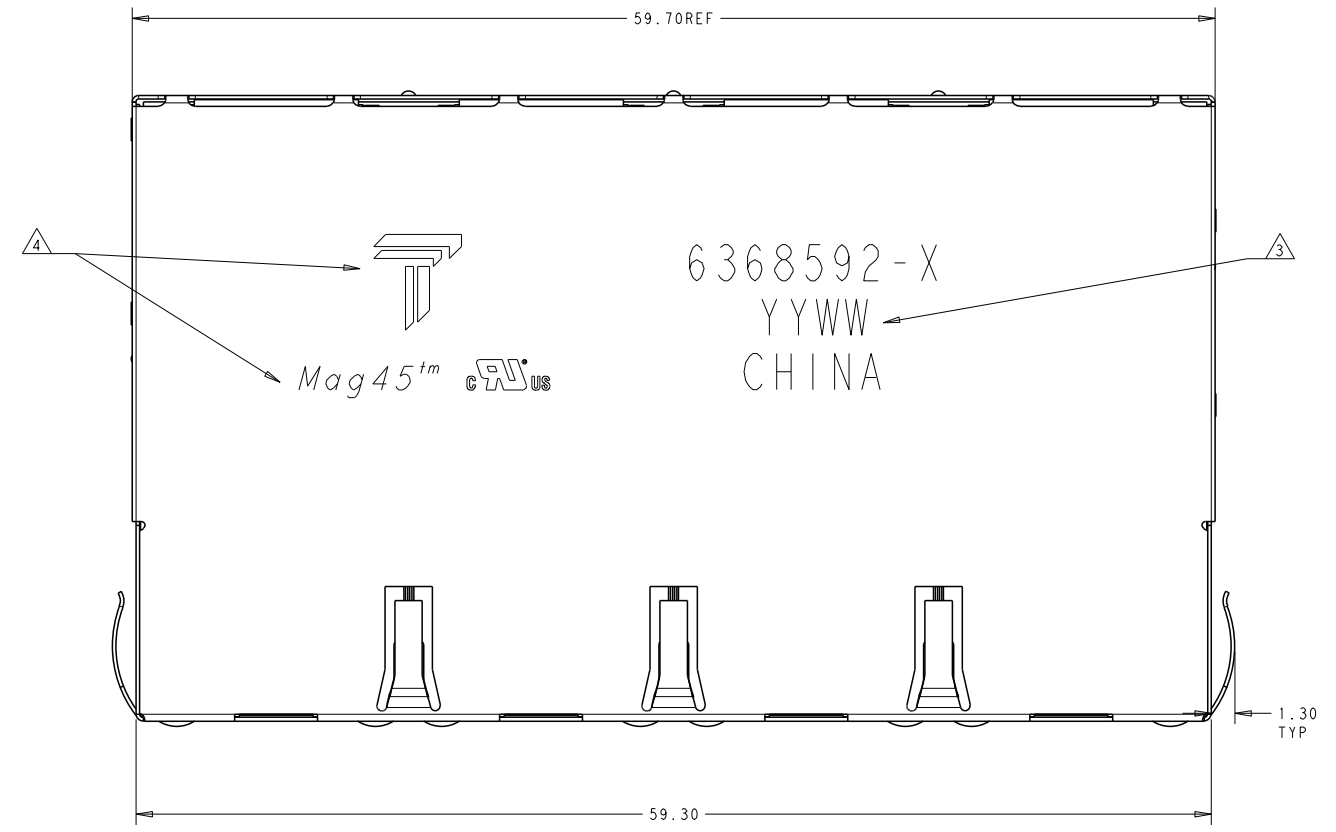
NAME: 2X4 OFFSET MAG45(TM),S8G17 CIRCUIT, WITH LED, REAR PCB GND TABS

SIZE: A1 CAGE CODE: 6368592

MATERIAL: **1** FINISH: **1**

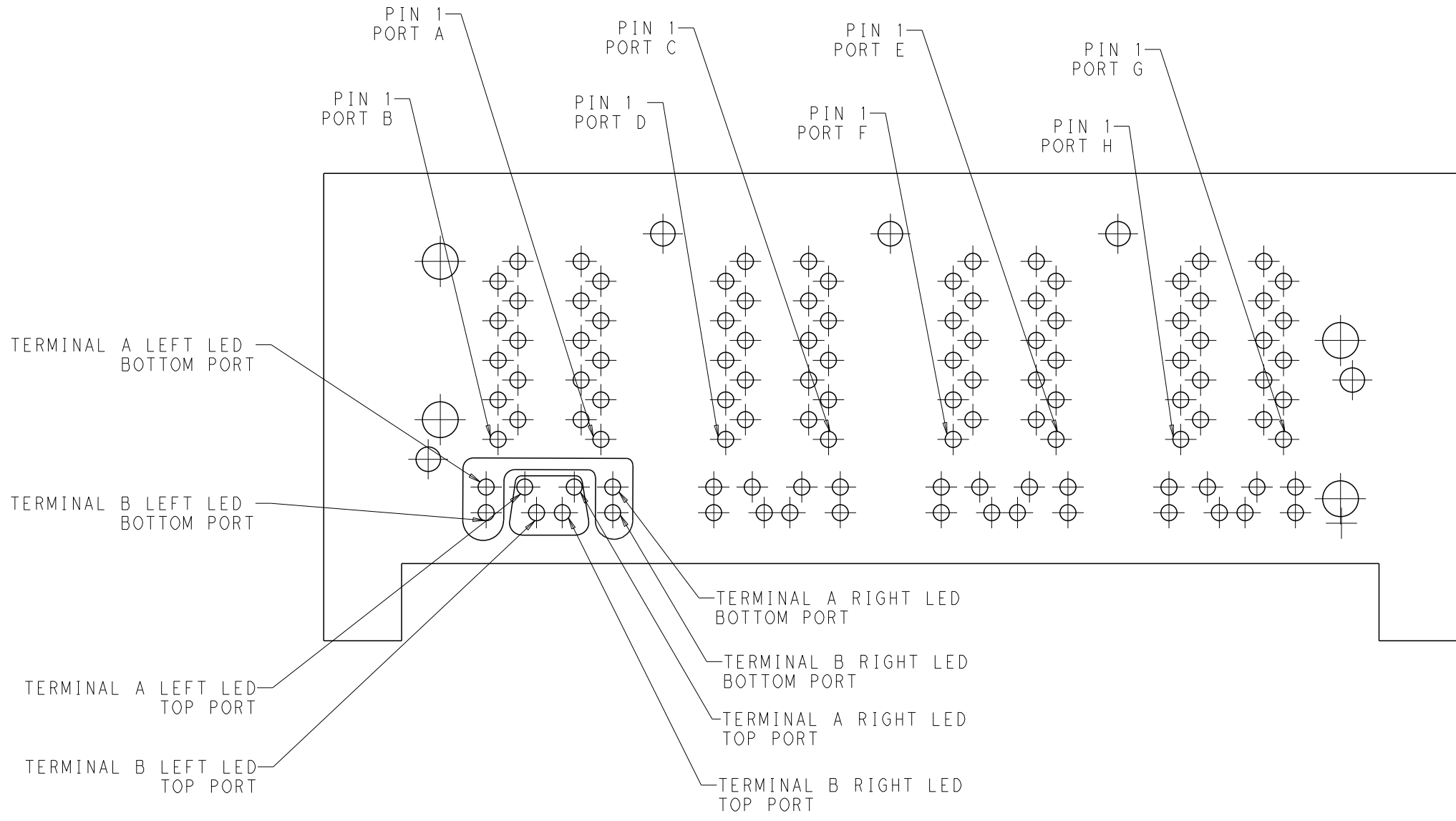
SCALE: 5:1 SHEET 1 OF 4 REV C

© COPYRIGHT TRP connector ALL RIGHTS RESERVED



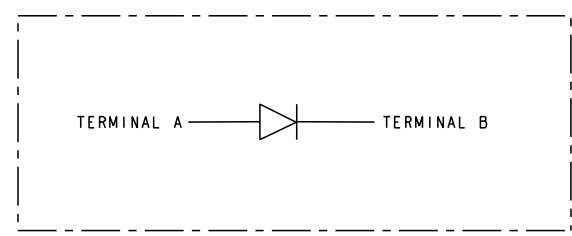
THIS DRAWING IS A CONTROLLED DOCUMENT.		DRW: JEE LUO 15FEB2006	 TRP connector Dongguan China
		CHK: KEITH ZHU 15FEB2006	
		APPD: TEDDY XIANG 15FEB2006	NAME: 2X4 OFFSET MAG45(TM), S8G17 CIRCUIT, WITH LED, REAR PCB GND TABS APPLICATION SPEC: 108-104004
		PRODUCT SPEC: TEDDY XIANG	
DIMENSIONS: mm		TOLERANCES UNLESS OTHERWISE SPECIFIED:	SIZE: A1
0 PLC ± 1 PLC ± 2 PLC ±0.25 3 PLC ± 4 PLC ± ANGLES ± FINISH :		WEIGHT : CUSTOMER DRAWING	RESTRICTED TO : SCALE: 5:1 SHEET 2 OF 4 REV C



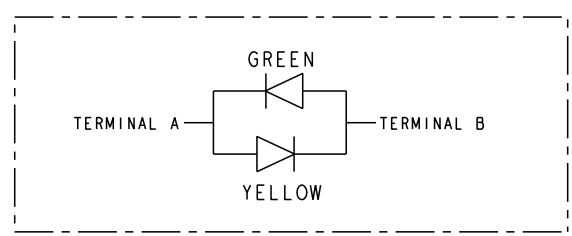


LED HOLE DESIGNATIONS VIEWED FROM COMPONENT SIDE

SINGLE COLOR LED



BI COLOR LED



THIS DRAWING IS A CONTROLLED DOCUMENT.		DATE: 15FEB2006	 TRP connector Dongguan China
DRAWN: JEE LUO		CHK: KEITH ZHU	
DIMENSIONS: mm		TOLERANCES UNLESS OTHERWISE SPECIFIED:	PRODUCT SPEC: 108-104004 APPLICATION SPEC:
0 PLC ± 1 PLC ± 2 PLC ±0.25 3 PLC ± 4 PLC ± ANGLES ± FINISH:	APD: TEDDY XIONG DATE: 15FEB2006 NAME: 2X4 OFFSET MAG45(TM),S8G17 CIRCUIT, WITH LED, REAR PCB GND TABS SIZE: A1 CAGE CODE: 6368592 DRAWING NO:		RESTRICTED TO:
MATERIAL:	FINISH:	WEIGHT:	SCALE: 2:1 SHEET: 4 OF 4 REV: C
CUSTOMER DRAWING			