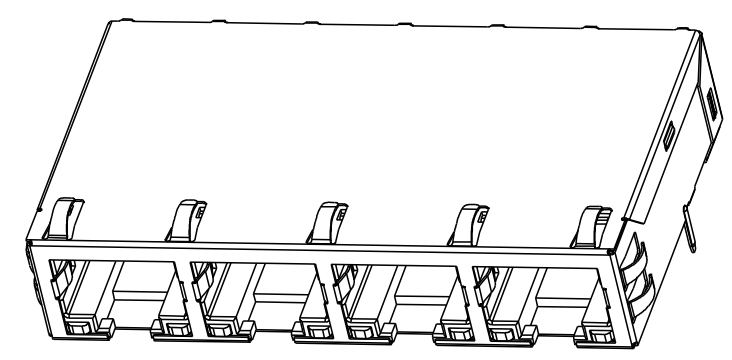
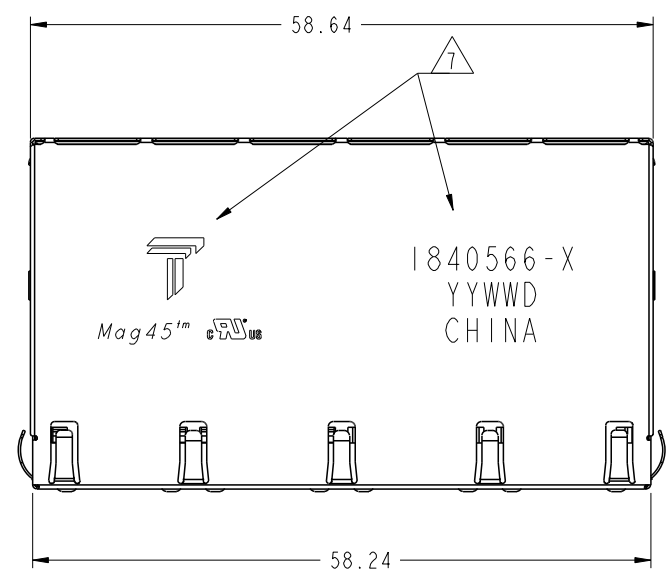
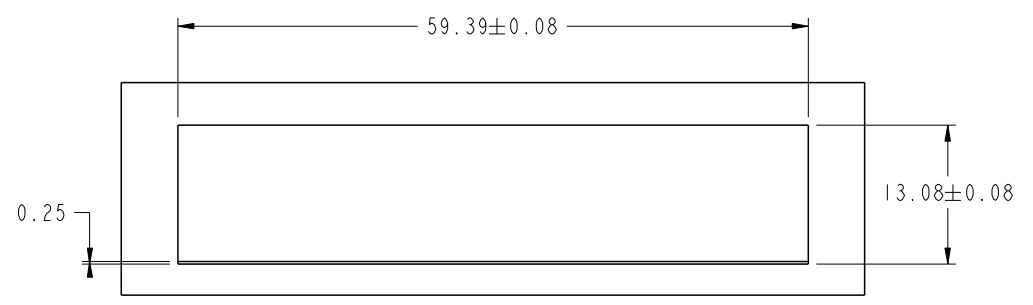
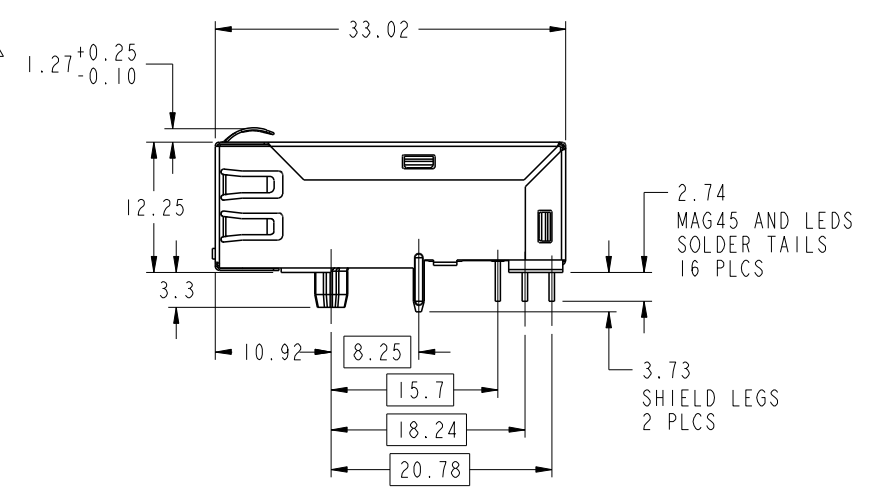
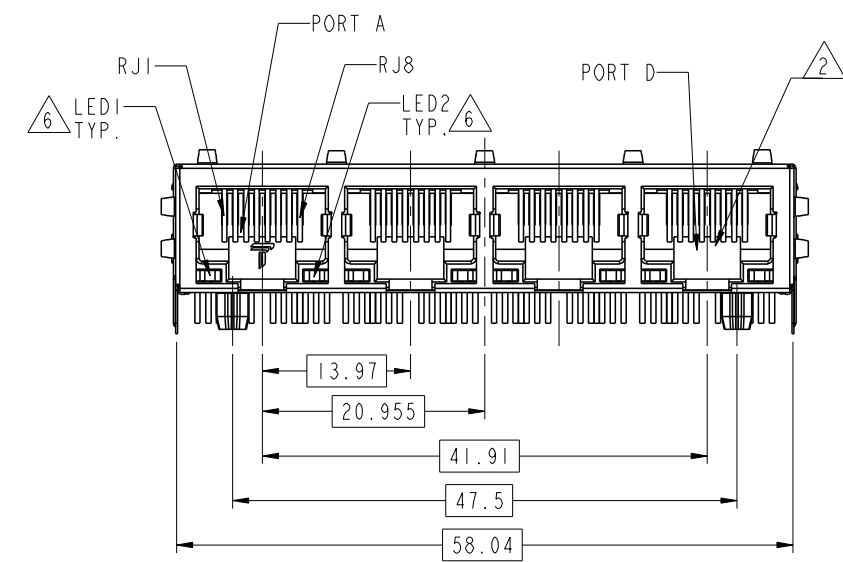


REVISIONS				
P	LTR	DESCRIPTION	DATE	OWN APVD
2		LOGO CHANGE	27APR2013	TY KZ

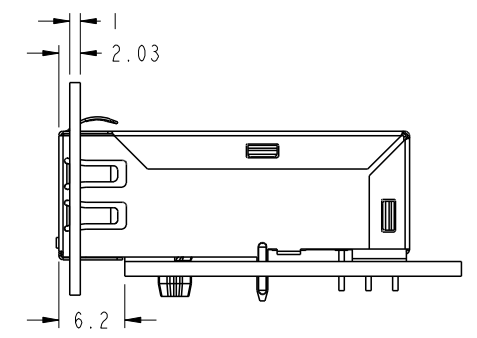


SCALE 2:1

- 1 MATERIALS
 HOUSING: THERMOPLASTIC, BLACK, FLAMMABILITY RATING UL 94V-0
 SHIELD: BRASS, 0.20mm THICK
 PREPLATED WITH MIN 0.76um SEMI-BRIGHT NICKEL
 POST DIPPED WITH 2.54um MIN SAC SOLDER AT GROUND PINS.
 CONTACT: PHOSPHOR BRONZE, 0.46mm X0.3mm
 WITH 1.27um MIN OVERALL NICKEL UNDERPLATE AND
 SELECTIVE 1.27um MIN GOLD PLATING AT MATING INTERFACE
 SOLDER TAIL: COPPER CLADED STEEL, 0.50mm SQUARE
 PLATED WITH 2.54um MIN MATTE TIN
 LIGHT PIPE: POLYCARBON, TRANSPARENT, RATING UL 94V-0
- 2 RJ45 CAVITY CONFORMS TO FCC RULES AND REGULATION PART 68 SUBPART F.
- 3 MAGNETICS
 -APPLICATION: 10/100/1000 BASE-T
 -IMPEDANCE: 100 OHMS
 -TURNS RATIO (CHIP:CABLE): 1:1 ALL FOUR PAIRS
 -OPEN CIRCUIT INDUCTANCE (OCL): 350uH MIN @100kHz, 0.1VRMS,
 8mA DC BIAS FROM 0°C TO 70°C, ALL FOUR PAIRS
 -ALL FOUR PAIRS BI-DIRECTIONAL
 -PERFORMANCE @ 25°C:
 INSERTION LOSS (IL): 1.1dB MAX FROM 0.5MHz TO 100MHz
 RETURN LOSS (RL): 18dB MIN FROM 0.5MHz TO 40MHz
 12-20LOG(f/80)dB MIN FROM 40.1MHz TO 100MHz
 CROSSTALK ATTENUATION: 35dB MIN FROM 0.5MHz TO 40MHz
 33-20LOG(f/50)dB MIN FROM 40.1MHz TO 100MHz
 COMMON MODE REJECTION RATIO (CMRR): 30dB MIN FROM 0.5MHz TO 100MHz
 -ISOLATION VOLTAGE: 2250VDC(MAX) FOR 60 SECONDS WITH A RISE TIME OF
 500V/SEC AND WITH ALL PORTS CONNECTED.
- 4. OPERATING TEMPERATURE: 0°C - 70°C
- 5 THE MAGNETIC CIRCUIT ON ALL FOUR CHANNELS ARE SYMMETRICAL AND SUPPORT AUTO-MDIX OPERATION.
- 6 LED IS DRIVEN WITH CONSTANT CURRENT AT APPROX 20mA.
 LED COLOR: DOMINANT WAVELENGTH (λD): GREEN 568 nm TYP. at IF=20mA
 FORWARD VOLTAGE (VF): GREEN 2.2V TYP. at IF=20mA
 DOMINANT WAVELENGTH (λD): YELLOW 588 nm TYP. at IF=20mA
 FORWARD VOLTAGE (VF): YELLOW 2.2V TYP. at IF=20mA
- 7 TRP CONNECTOR LOGO, PART NUMBER, DATE CODE, COUNTRY OF ORIGIN, AGENCY LOGO TO BE MARKED IN APPROXIMATE LOCATION SHOWN.
- 8. THESE PARTS ARE RECOMMENDED FOR WAVE SOLDERING PROCESS, PEAK SOLDERING TEMPERATURE IS 260 °C MAX, 10 SECONDS MAX.

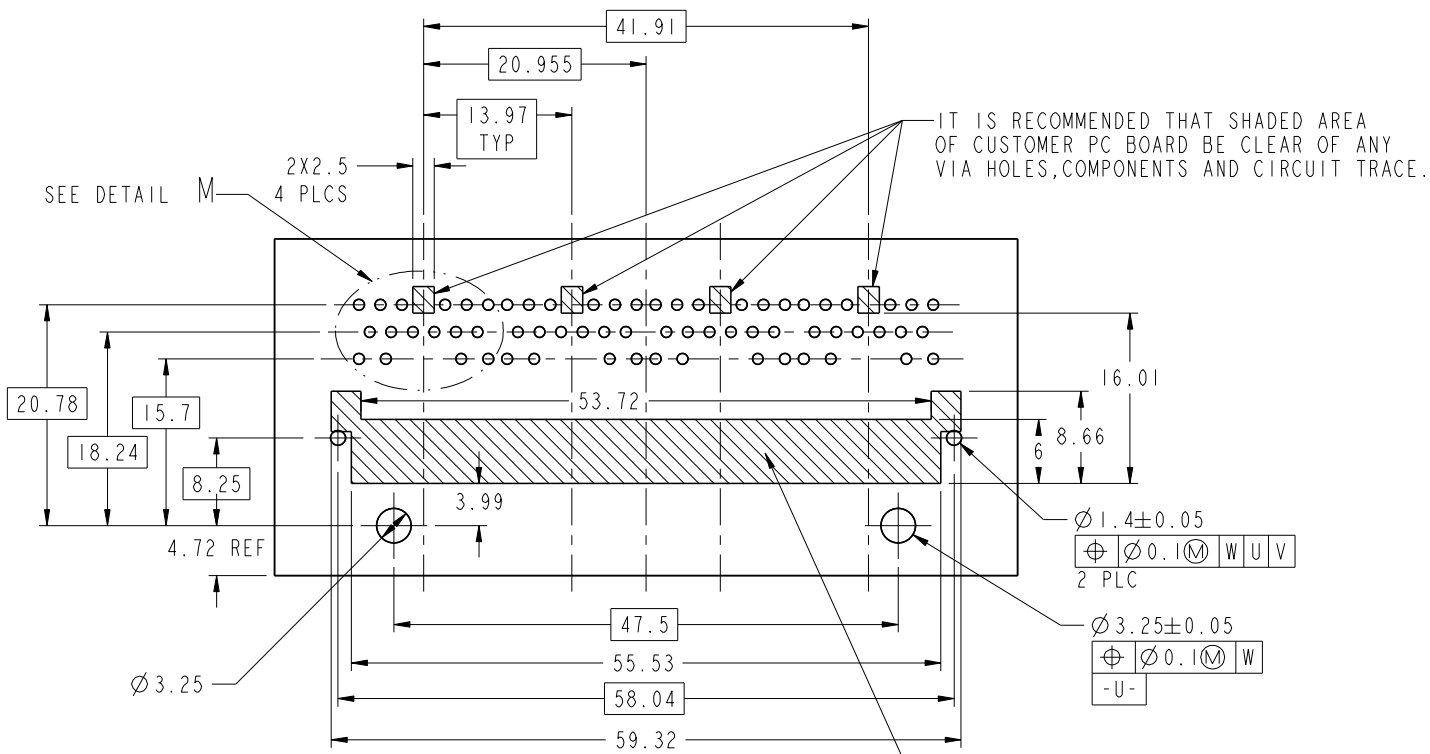


SUGGESTED PANEL CUTOUT SCALE 2:1



CONNECTOR ASSEMBLED TO PANEL AND PCB SCALE 2:1

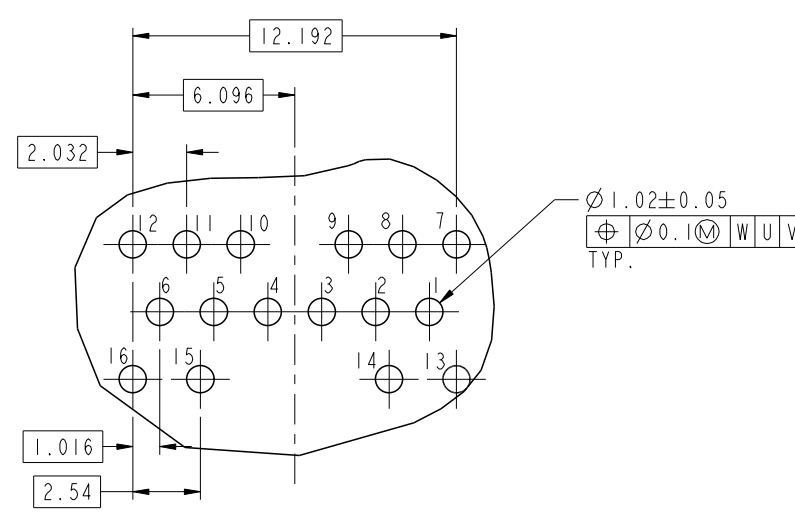
THIS DRAWING IS A CONTROLLED DOCUMENT.		DWN 03APR2013	TRP connector Dongguan China	
DIMENSIONS: mm		CHK 03APR2013		
TOLERANCES UNLESS OTHERWISE SPECIFIED:		APVD 03APR2013		
0 PLC ±0.25 1 PLC ±0.25 2 PLC ±0.25 3 PLC ±0.25 4 PLC ±- ANGLES ±- FINISH ±1.0		PRODUCT SPEC		
MATERIAL		NAME	SIZE	RESTRICTED TO
		YI LIU KEITH ZHU 1X4 MAG45(TM) JACK, LOW PROFILE 1G18 GIGABIT, SHIELDED, WITH LEDS	A2	
		APPLICATION SPEC	DRAWING NO	
		WEIGHT	©=1840566	
		CUSTOMER DRAWING	SCALE NTS	SHEET 1 OF 2 REV 2



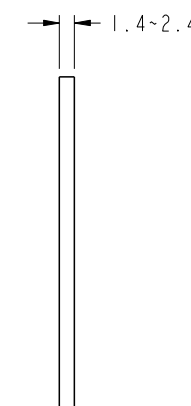
SUGGESTED PCB FOOTPRINT
COMPONENT SIDE
SCALE 2:1

IT IS RECOMMENDED THAT SHADED AREA OF CUSTOMER PC BOARD BE CLEAR OF ANY VIA HOLES, COMPONENTS AND CIRCUIT TRACE.

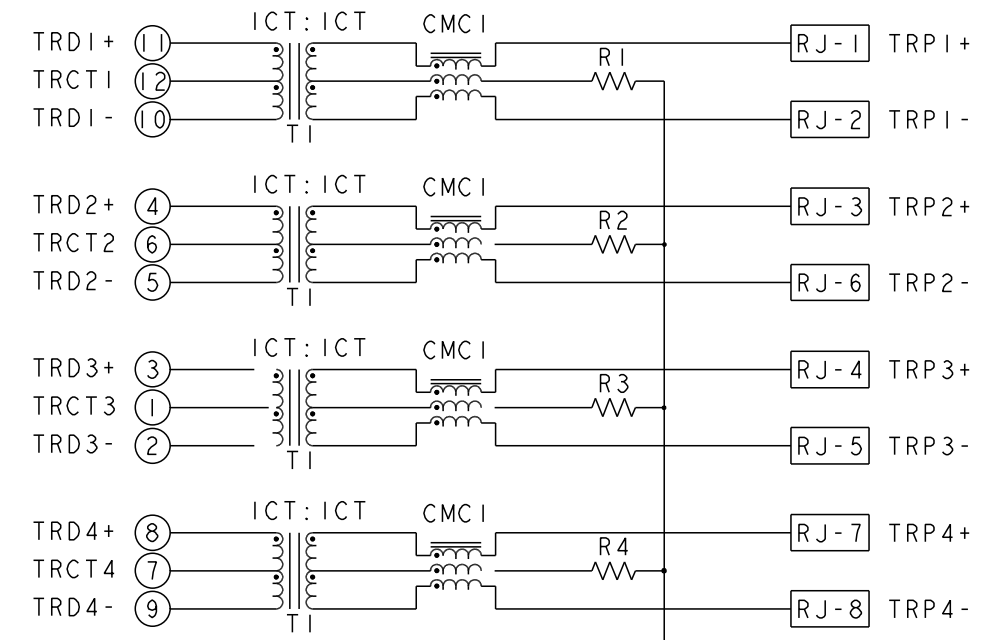
IT IS RECOMMENDED THAT SHADED AREA OF CUSTOMER PC BOARD BE CLEAR OF ANY VIA HOLES, COMPONENTS, GROUND COPPER AND CIRCUIT TRACE.



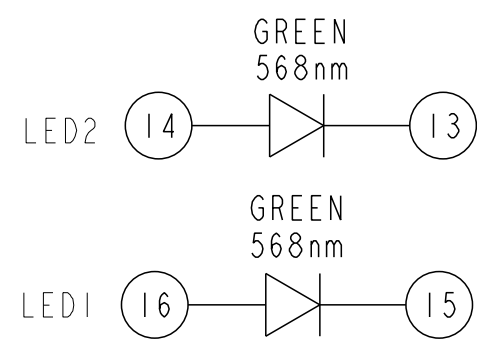
DETAIL M
SCALE 5:1
TYP



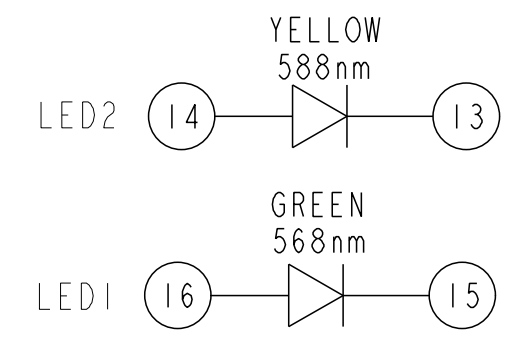
IG18 GIGABIT CIRCUIT $\triangle 3 \triangle 5$



R1-R4=75 Ohms, 1/16W, 5% RESISTORS
C1=1000pF, 3kV CAPACITOR



LED CONFIGURATION
FOR 1840566-1 ONLY



LED CONFIGURATION
FOR 1840566-2 ONLY

THIS DRAWING IS A CONTROLLED DOCUMENT.		DWN DALE PAN 03APR2013	<p>TRP connector Dongguan China</p>
DIMENSIONS: mm		CHK YI LIU 03APR2013	
TOLERANCES UNLESS OTHERWISE SPECIFIED:		APVD KEITH ZHU 03APR2013	
0 PLC ±0.25 1 PLC ±0.25 2 PLC ±0.25 3 PLC ±0.25 4 PLC ±0.25 ANGLES ± FINISH ±1.0		PRODUCT SPEC	NAME 1X4 MAG45(TM) JACK, LOW PROFILE IG18 GIGABIT, SHIELDED, WITH LEDS
MATERIAL		APPLICATION SPEC	SIZE A2
		WEIGHT	CAGE CODE C=1840566
		CUSTOMER DRAWING	RESTRICTED TO
		SCALE NTS	SHEET 2 OF 2
			REV 2