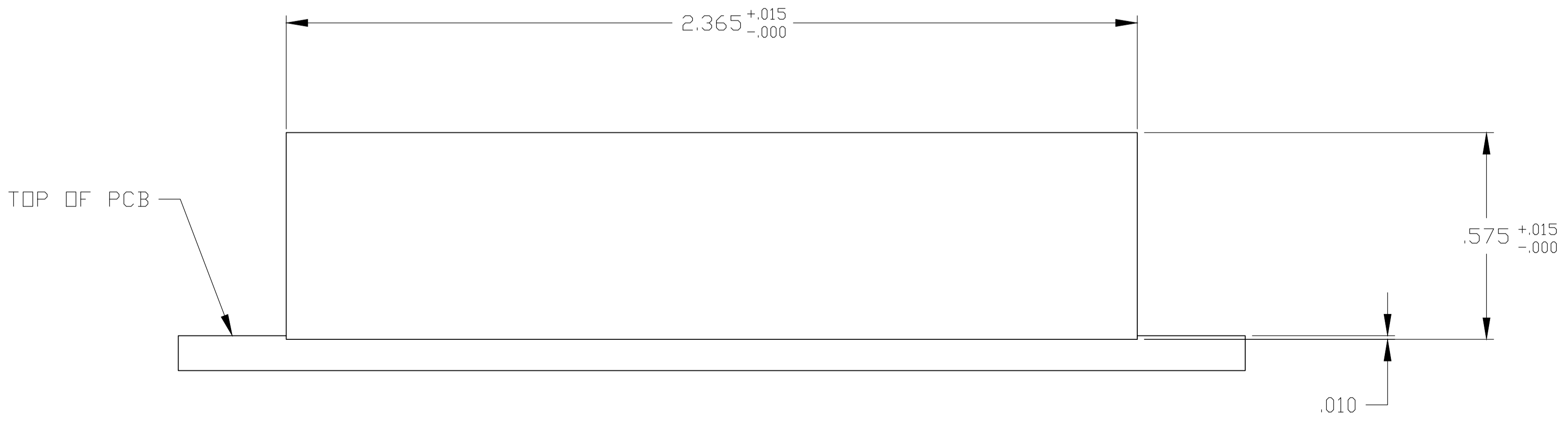
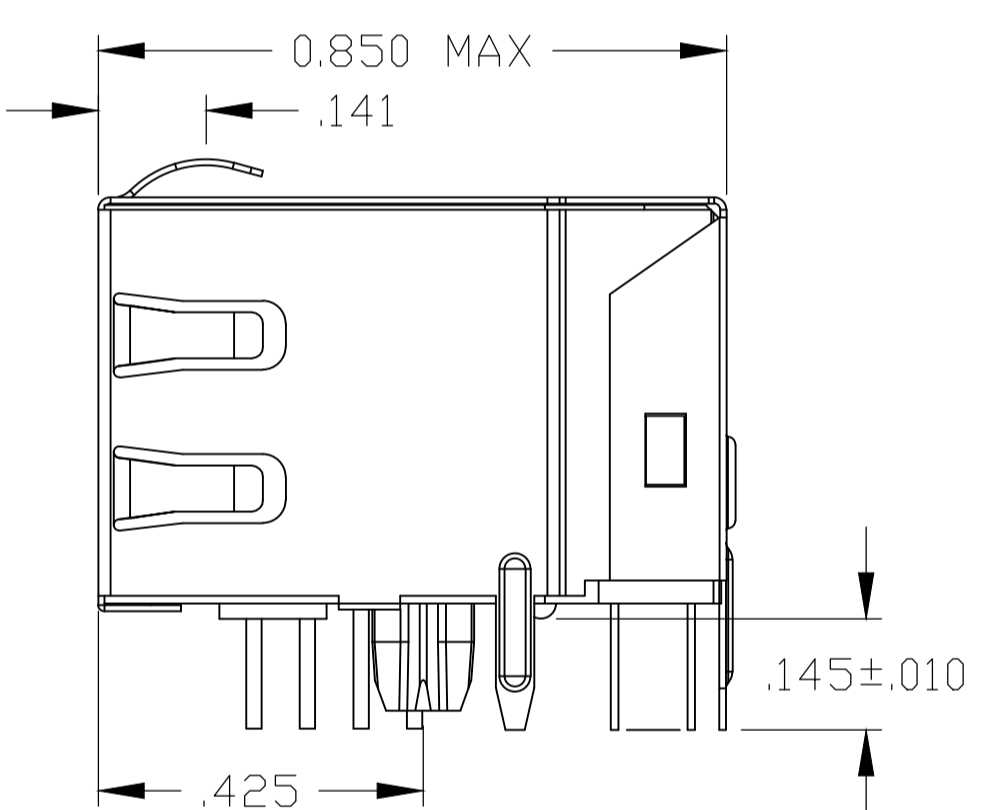
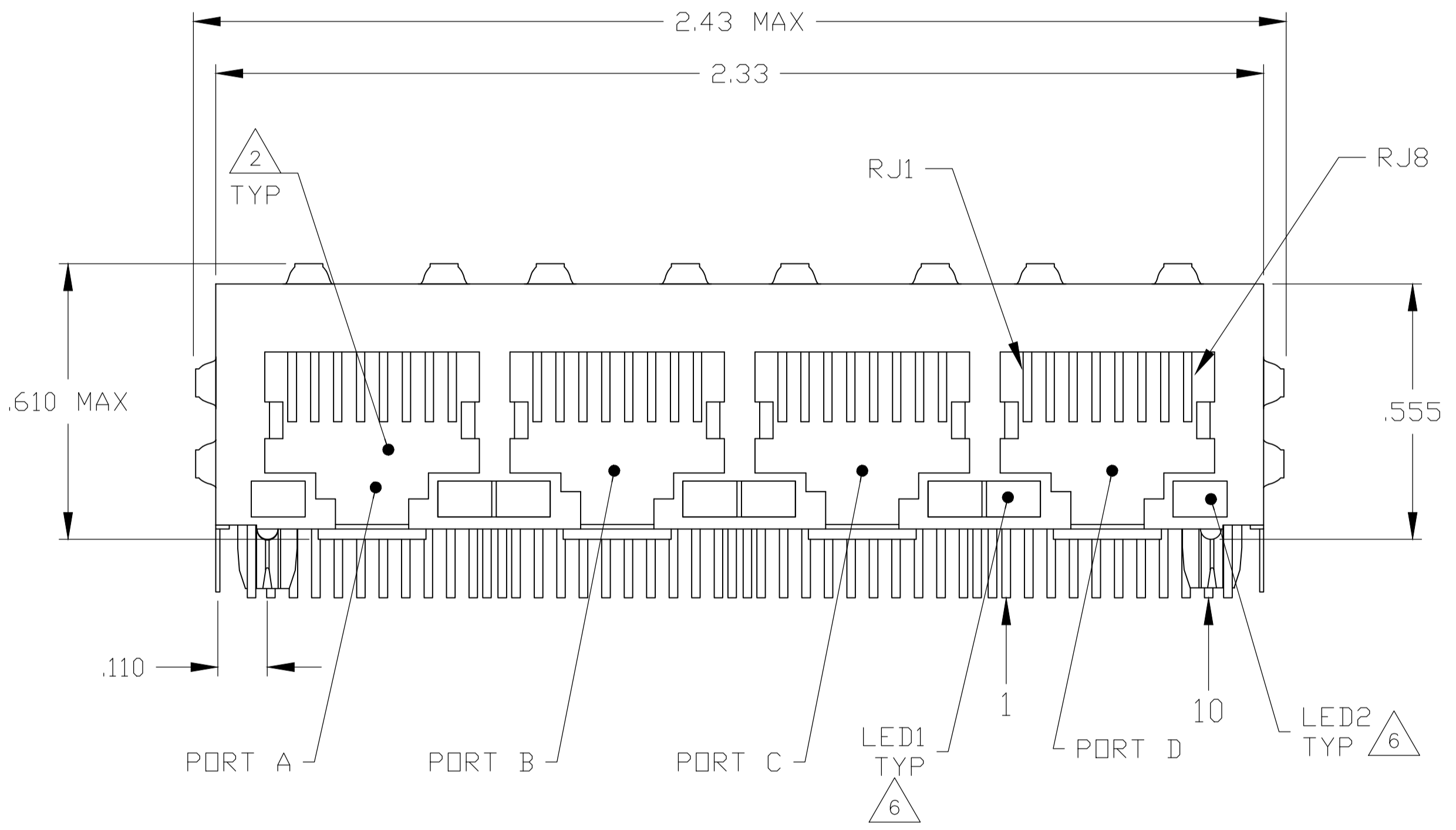
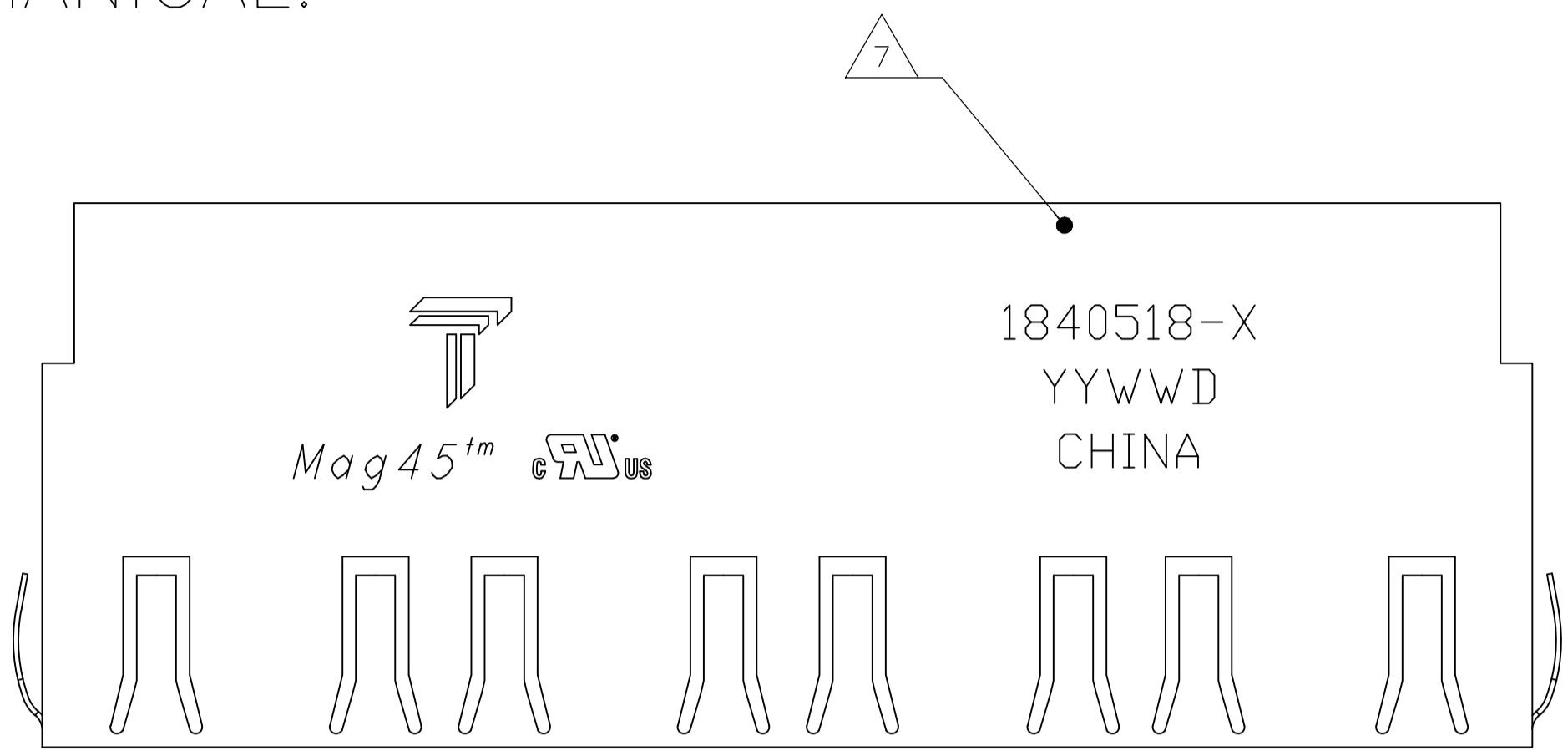


REVISIONS				
P	LTR	DESCRIPTION	DATE	OWN / APVD
G		LOGO CHANGE	07APR2013	PP / KZ

MECHANICAL:



1X4 SUGGESTED PANEL CUTOUT

- △ MATERIALS:
 HOUSING - THERMOPLASTIC PET POLYESTER FLAMMABILITY RATING UL 94V-0.
 SHIELD - .008" THICK, C26800 BRASS PREPLATED WITH 30uINCH SEMI-BRIGHT NICKEL.
 SOLDER TABS POST DIPPED WITH 100uINCH MIN SAC SOLDER.
 MOD JACK CONTACTS - 0.0157 X 0.018" PHOSPHOR BRONZE, 50uINCH MIN OVERALL NICKEL UNDERPLATE, WITH SELECT 50uINCH MIN HARD GOLD FINISH PLATE
 SOLDER TAILS WITH 100uINCH MIN MATTE TIN AND/OR SAC SOLDER DIP.
 -LIGHT EMITTING DIODE(LED) - DIFFUSED EPOXY LENS, .020" x .020" CARBON STEEL WIREFRAME LEADS PREPLATED WITH 80 uINCH SILVER OVER 40 uINCH NICKEL UNDERPLATE OVER 40uINCH COPPER UNDERPLATE;
 POST-PLATED WITH 100 uINCH MIN MATTE TIN AND/OR SAC SOLDER DIP OR PURE TIN SOLDER DIP.
- △ RJ45 JACK CAVITY CONFORMS TO FCC RULES AND REGULATIONS PART 68, SUB PART F.
- △ MAGNETICS
 -APPLICATION: 10/100/1000 BASE-T
 -IMPEDANCE: 100 OHMS
 -TURNS RATIO (CHIP:CABLE): 1:1 ALL FOUR PAIRS
 -OPEN CIRCUIT INDUCTANCE (OCL): 350uH MIN @100kHz, 0.1VRMS, 8mADC BIAS FROM 0°C TO 70°C, ALL FOUR PAIRS
 -ALL FOUR PAIRS BI-DIRECTIONAL
 -PERFORMANCE @ 25°C:
 INSERTION LOSS (IL): 1.1dB MAX FROM 0.5MHz TO 100MHz
 RETURN LOSS (RL): 18dB MIN FROM 0.5MHz TO 40MHz
 12-20LOG(f/80)dB MIN FROM 40.1MHz TO 100MHz
 CROSSTALK ATTENUATION: 35dB MIN FROM 0.5MHz TO 40MHz
 33-20LOG(f/50)dB MIN FROM 40.1MHz TO 100MHz
 COMMON MODE REJECTION RATIO(CMRR):30dBMIN FROM 0.5MHz TO 100MHz
 -ISOLATION VOLTAGE: 2250VDC (MAX) FOR 60 SECONDS WITH A RISE TIME OF 500V/SEC AND WITH ALL PORTS CONNECTED.
- 4. OPERATING TEMPERATURE: FROM 0°C TO +70°C
- △ THE MAGNETICS ARE SYMMETRIC, AND SUPPORT AUTO-MDI/MDIX.
- △ LED IS DRIVEN WITH CONSTANT CURRENT AT APPROX 20mA.
 LED COLOR: DOMINANT WAVELENGTH (λ D): GREEN 568 nm TYP. at IF=20mA
 FORWARD VOLTAGE (VF): GREEN 2.2V TYP. at IF=20mA
 DOMINANT WAVELENGTH (λ D): YELLOW 588 nm TYP. at IF=20mA
 FORWARD VOLTAGE (VF): YELLOW 2.1V TYP. at IF=20mA
- △ TRP CONNECTOR LOGO, PART NUMBER, DATE CODE, COUNTRY OF ORIGIN AND AGENCY APPROVAL MARKING IN APPROXIMATE LOCATION SHOWN.
- 8. THESE PARTS ARE RECOMMENDED FOR WAVE SOLDERING PROCESS, PREHEAT TEMPERATURE IS 120°C TO 160°C, 120 SECONDS TO 180 SECONDS, PEAK WAVE SOLDERING TEMPERATURE IS 260°C MAX, 10 SECONDS MAX.

GREEN/YELLOW	GREEN/YELLOW	1840518-6
YELLOW	GREEN	1840518-9
LED1	LED2	PART NUMBER

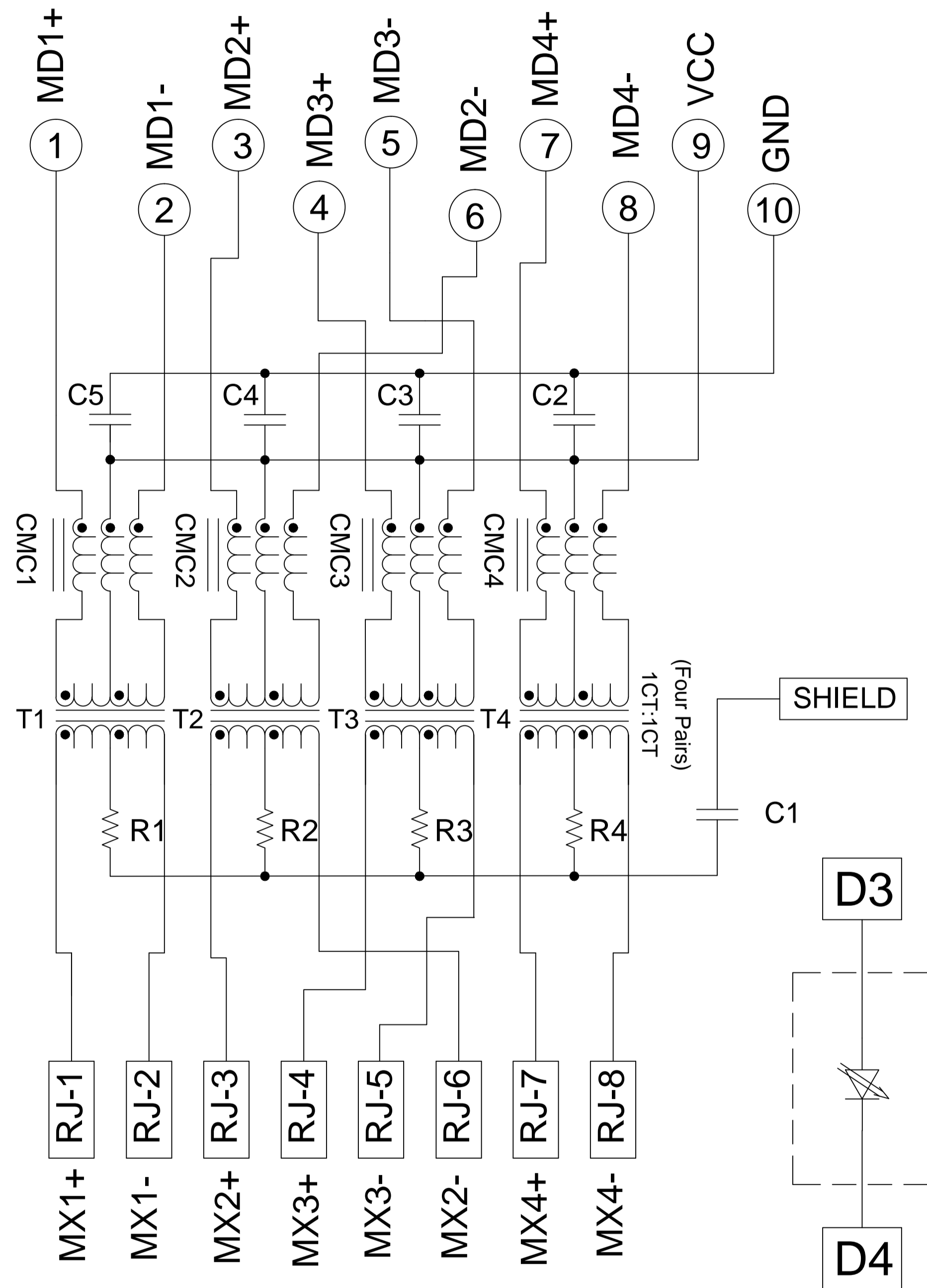
THIS DRAWING IS A CONTROLLED DOCUMENT.

DIMENSIONS: INCHES	TOLERANCES UNLESS OTHERWISE SPECIFIED:	DWN: CLOUD ZENG 10Aug2006	TRP connector
0 PLC ± -	1 PLC ± -	CHK: MICHAEL ZHANG 10Aug2006	Dongguan China
1 PLC ± .010	2 PLC ± .010	APVD: TEDDY XIONG 10Aug2006	
3 PLC ± .005	4 PLC ± -		
ANGLES ± -	FINISH ± -	PRODUCT SPEC: 108-2100	NAME: 1X4 MAG45(TM) MODULAR JACK, 4G46P2 GIGABIT CIRCUIT (10 PIN HORIZONTAL), SHIELDED WITH REAR PINS, WITH LEDs
MATERIAL		APPLICATION SPEC: -	SIZE: A1
		WEIGHT: -	CAGE CODE: 00779
		CUSTOMER DRAWING	DRAWING NO: 1840518

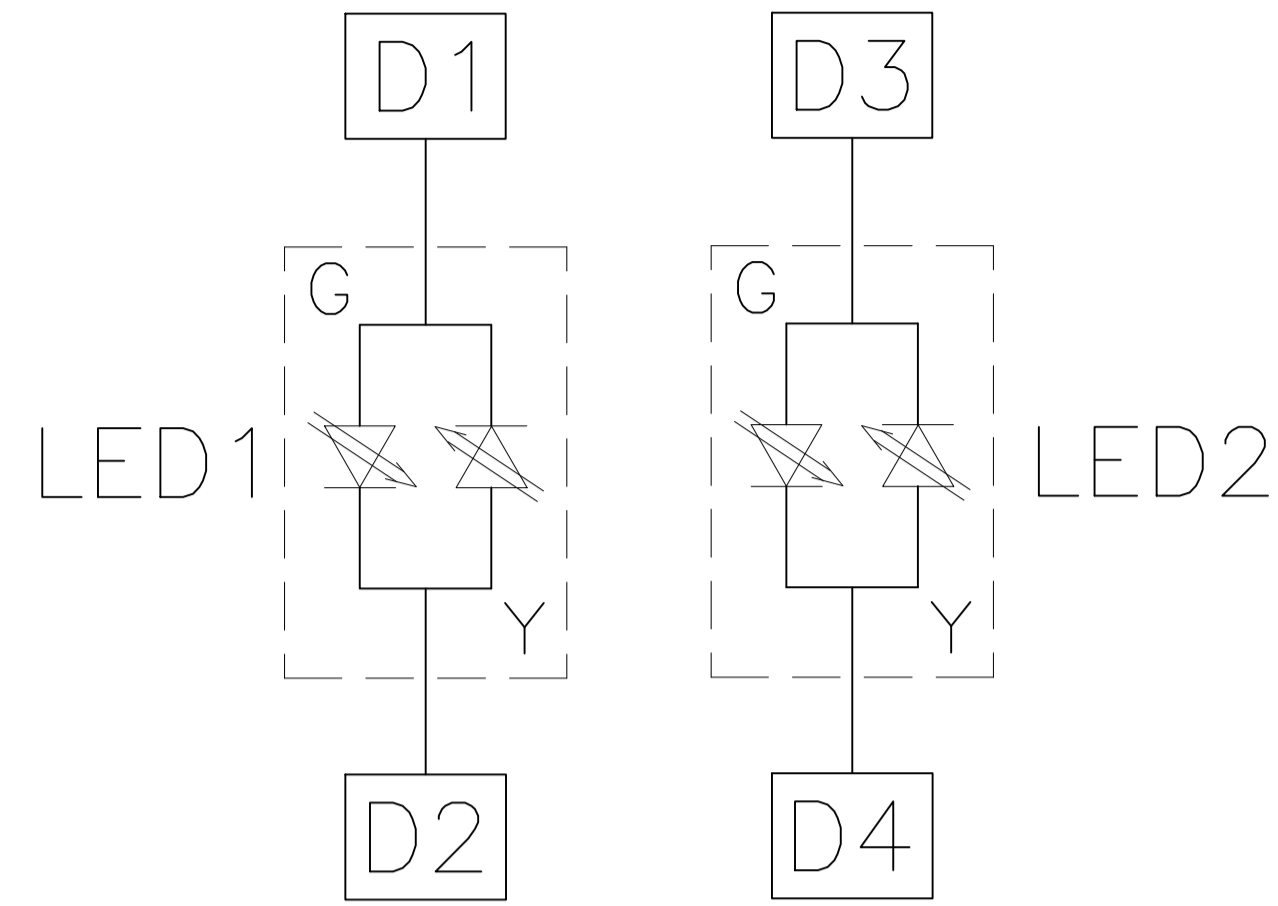
SCALE: 4:1 SHEET 1 OF 2 REV G

ELECTRICAL:

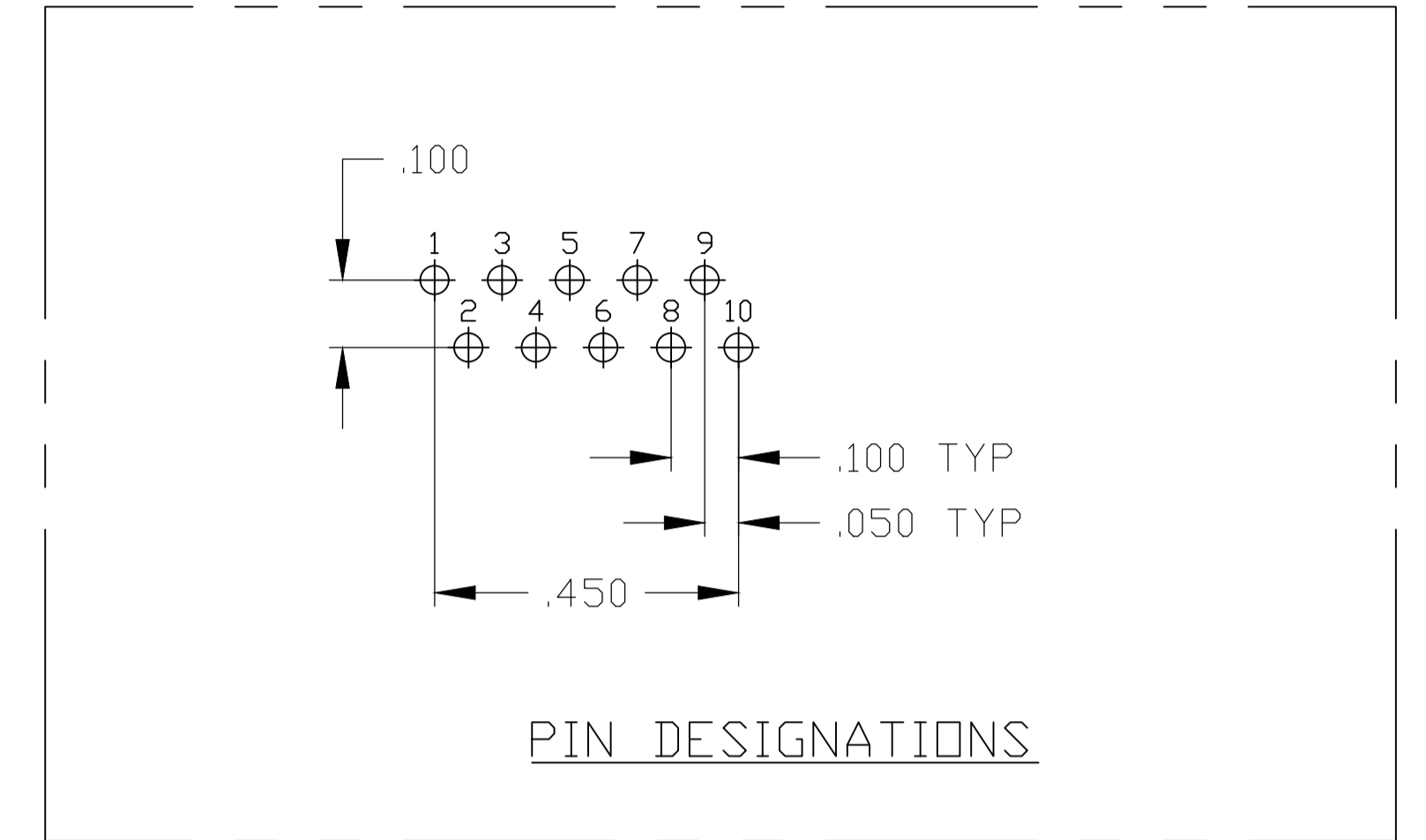
4G46P2 GIGABIT CIRCUIT



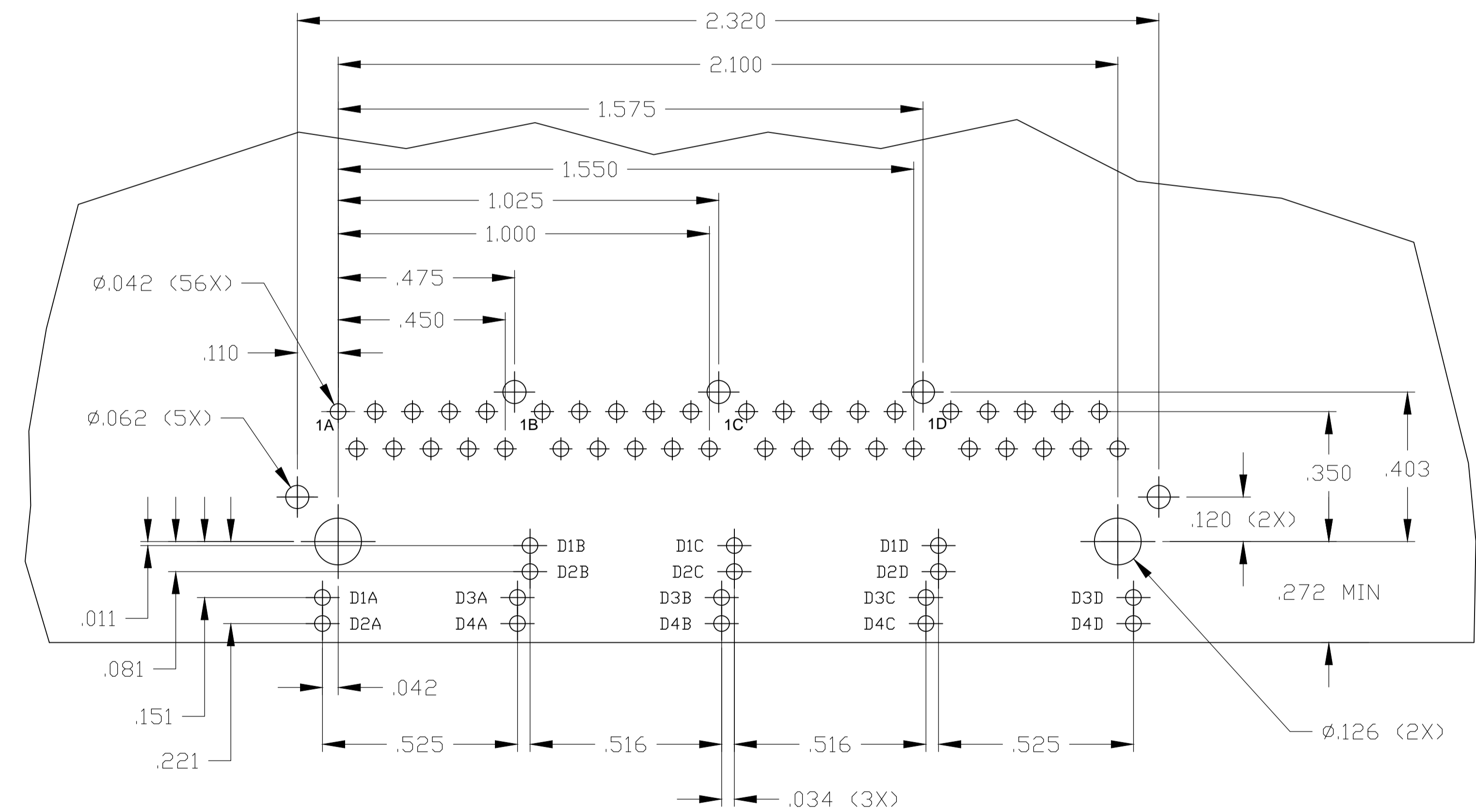
R1-R4 = 75 OHMS, 1/16W RESISTORS
 C1 = 1000pF, 2kV CAPACITOR
 C2 - C5 = 0.1uF, 10%, 50V CAPACITORS



LED CONFIGURATION FOR 1840518-6 ONLY



LED2



SUGGESTED PCB LAYOUT
 (Component Side)

THIS DRAWING IS A CONTROLLED DOCUMENT.		DWI: CLOUD ZENG 10Aug2006		TRP connector	
DIMENSIONS:		CHK: MICHAEL ZHANG 10Aug2006		Dongguan China	
INCHES:		APVD: TEDDY XIONG 10Aug2006		PRODUCT SPEC	
0 PLC ± -		PRODUCT SPEC		NAME	
1 PLC ± -		108-2100		1X4 MAG45(TM) MODULAR JACK,	
2 PLC ± .010		APPLICATION SPEC		4G46P2 GIGABIT CIRCUIT (10 PIN HORIZONTAL),	
3 PLC ± .005		SIZE		SHIELDED WITH REAR PINS, WITH LEADS	
4 PLC ± -		CAGE CODE DRAWING NO		RESTRICTED TO	
ANGLES ± -		A1 00779C=1840518		-	
FINISH		WEIGHT		SCALE 4:1	
		CUSTOMER DRAWING		SHEET 2 OF 2	
				REV G	