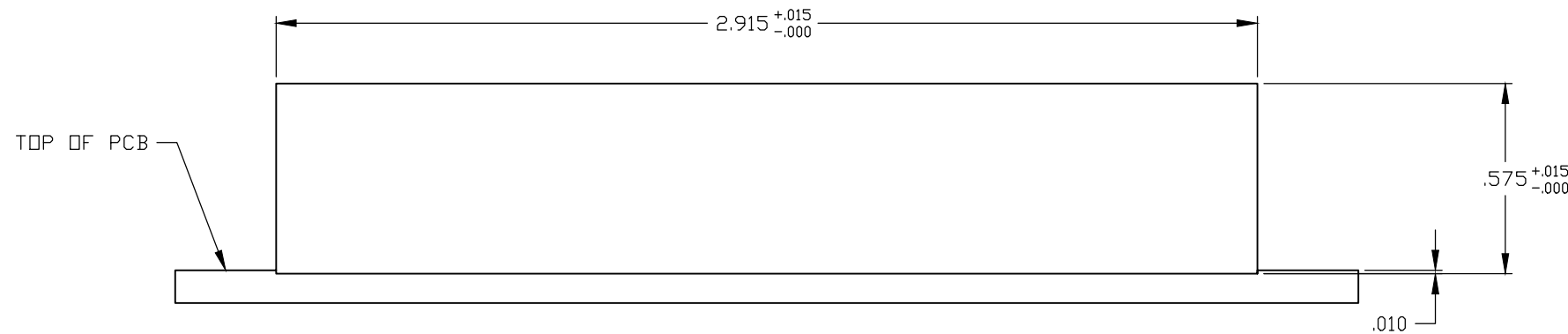
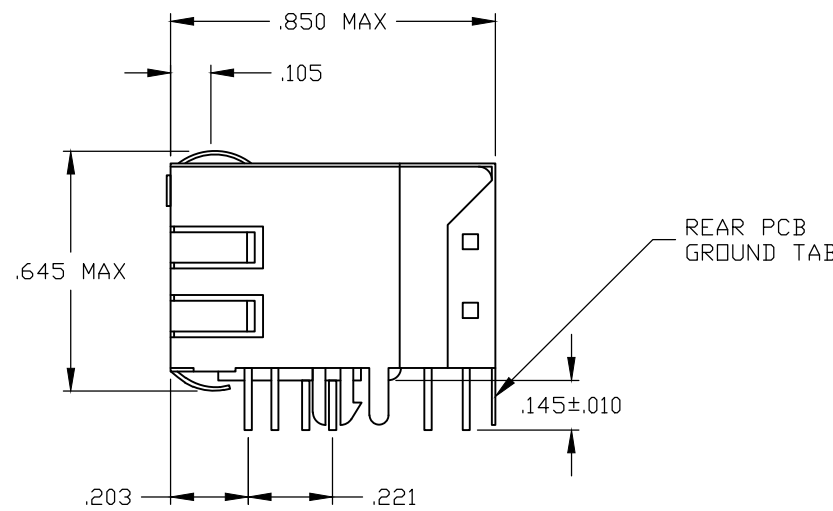
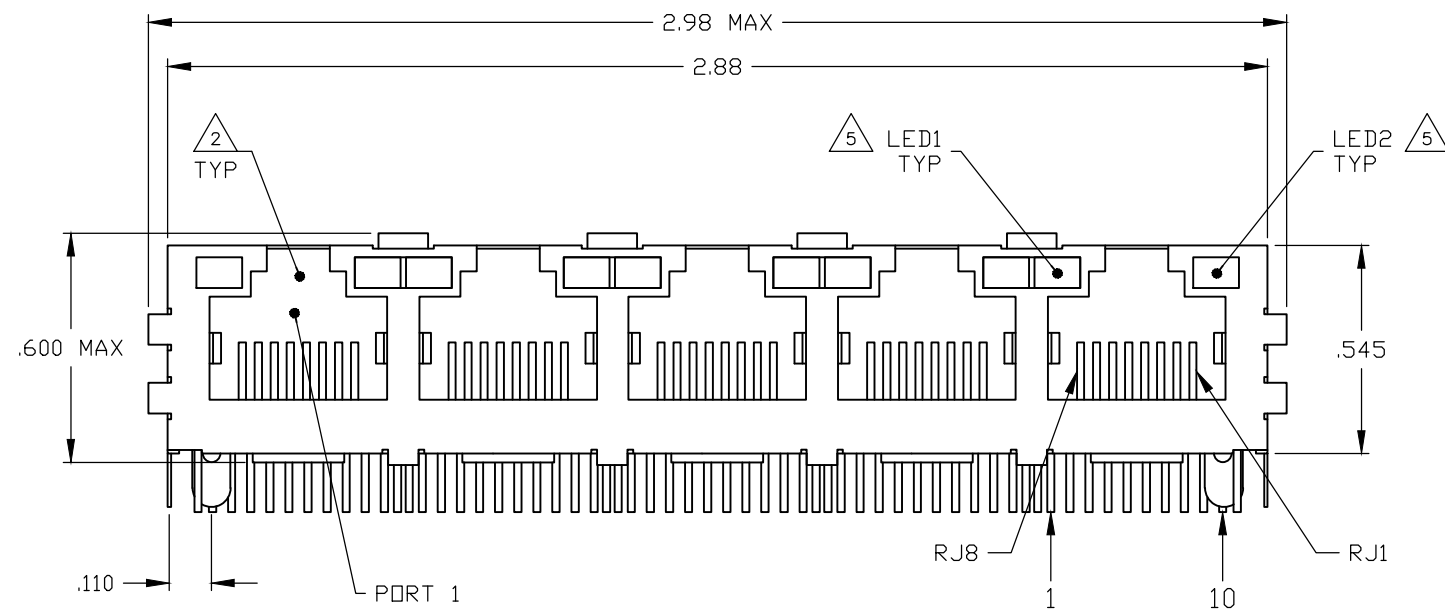
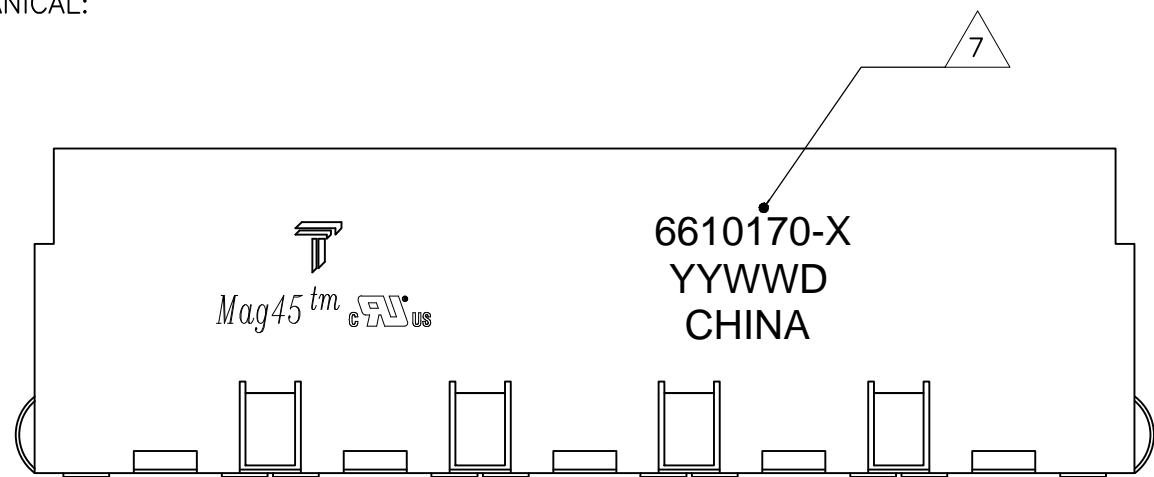


REVISIONS				
#	LR	DESCRIPTION	DATE	APP'D
C		LOGO CHANGE	07APR2013	QL KZ

MECHANICAL:



1X5 SUGGESTED PANEL CUTOUT

- ⚠ MATERIALS:
  - HOUSING - THERMOPLASTIC PET POLYESTER FLAMMABILITY RATING UL 94V-0.
  - SHIELD - 0.010" THICK, C26800 BRASS PREPLATED WITH 30μINCH MIN SEMI-BRIGHT NICKEL. SOLDER TABS POST DIPPED WITH 100μINCH MIN SAC SOLDER.
  - MOD JACK CONTACTS - 0.0157" X 0.018" PHOSPHOR BRONZE, 50μINCH MIN OVERALL NICKEL UNDERPLATE WITH SELECT 50μINCH MIN HARD GOLD FINISH PLATE. SOLDERTAILS WITH 100μINCH MIN MATTE TIN AND/OR SAC SOLDER DIP.
  - LIGHT EMITTING DIODE(LED) - DIFFUSED EPOXY LENS, 0.020" X 0.020" CARBON STEEL WIREFRAME LEADS PRE-PLATED WITH 80μINCH SILVER OVER 40μINCH NICKEL UNDERPLATE OVER 40μINCH COPPER UNDERPLATE. POST-PLATED WITH 100μIN MIN MATTE TIN AND/OR SAC SOLDER DIP OR PURE TIN SOLDER DIP.

- ⚠ RJ45 JACK CAVITY CONFORMS TO FCC RULES AND REGULATIONS PART 68, SUB PART F.

- ⚠ MAGNETICS
  - IMPEDANCE: 100 OHMS
  - TURNS RATIO (CHIP: CABLE): 1:1 ALL FOUR PAIRS
  - OPEN CIRCUIT INDUCTANCE (OCL): 350uH MIN @100kHz, 0.1VRMS, 8mADC BIAS FROM 0°C TO 70°C, ALL FOUR PAIRS
  - ALL FOUR PAIRS BI-DIRECTIONAL
  - PERFORMANCE @ 25°C:
    - INSERTION LOSS (IL): 1.1dB MAX FROM 0.5MHz TO 100MHz
    - RETURN LOSS (RL): 18dB MIN FROM 0.5MHz TO 40MHz
    - 12-20LOG(f/80)dB MIN FROM 40.1MHz TO 100MHz
    - CROSSTALK ATTENUATION: 35dB MIN FROM 0.5MHz TO 40MHz
    - 33-20xLOG(f/50)dB MIN FROM 40.1MHz TO 100MHz
    - COMMON MODE REJECTION RATIO (CMRR): 30dB MIN FROM 0.5MHz TO 100MHz
    - ISOLATION VOLTAGE: COMPLIES WITH IEEE802.3 2002, PARA 4.0.6.1.1, ITEM b.

- 4. OPERATING TEMPERATURE: FROM 0° - +70°C.

- ⚠ LEDS WITH BUILT-IN RESISTOR
  - LEDS ARE DRIVEN WITH 5V VOLTAGE AND THE MAX OPERATING CURRENT IS 20mA.
  - LED COLOR : DOMINANT WAVELENGTH (λD): GREEN 568 nm TYP. @ VF=5V
  - FORWARD CURRENT (IF): GREEN 12 mA TYP. @ VF=5V
  - DOMINANT WAVELENGTH (λD): YELLOW 588 nm TYP. @ VF=5V
  - FORWARD CURRENT (IF): YELLOW 13 mA TYP. @ VF=5V

- ⚠ INDICATED MAGNETIC CONNECTIONS ARE SYMMETRICAL TO SUPPORT AUTO-MDI/MDIX.

- ⚠ TRP CONNECTOR LOGO, PART NUMBER, DATE CODE, COUNTRY OF ORIGIN AND AGENCY APPROVAL MARKING IN APPROXIMATE LOCATION SHOWN.

- 8. THE PART IS RECOMMENDED FOR WAVE SOLDERING PROCESS, PEAK WAVE SOLDERING TEMPERATURE IS 265°C MAX, 10 SECONDS MAX.

THIS DRAWING IS A CONTROLLED DOCUMENT.		DRN G. ATTADIA - DOCKS 16MAR2005	1-6610170-1
DIMENSIONS: INCHES		CHK D. FAROLE 16MAR2005	GREEN GREEN
TOLERANCES UNLESS OTHERWISE SPECIFIED:		APP'D D. FAROLE 16MAR2005	LED1 LED2
0 PLC ± -	1 PLC ± -	PRODUCT SPEC	1-6610170-1
2 PLC ± .010	3 PLC ± .005	APPLICATION SPEC	PART NUMBER
4 PLC ± -	ANGLES ± -	NAME	TRP connector
MATERIAL	FINISH	108-2100	Dongguan China
		APPLICATION SPEC	1X5 MAG45(TM) MODULAR JACK, 7G4 GIGABIT SCHEMATIC, 7G05 CIRCUIT (10 PIN HORIZONTAL), SHIELDED, 4 REAR PCB TABS, W/RESISTOR LEADS
		WEIGHT	SIZE CASE CODE DRAWING NO
		A100779	RESTRICTED TO
		C-6610170	
		CUSTOMER DRAWING	SCALE 4:1 SHEET 1 OF 2 REV C

