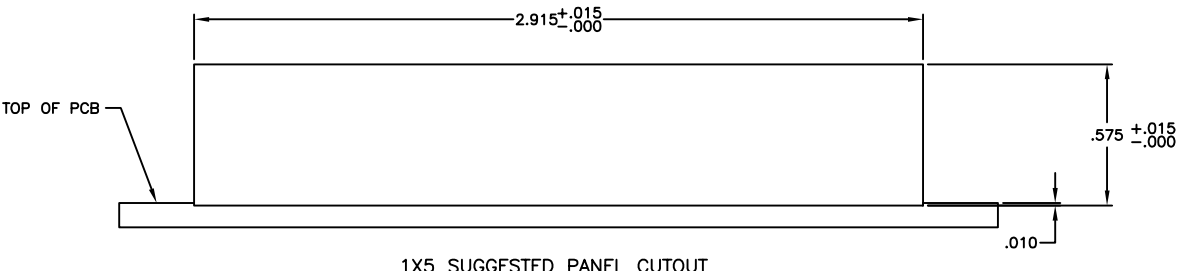
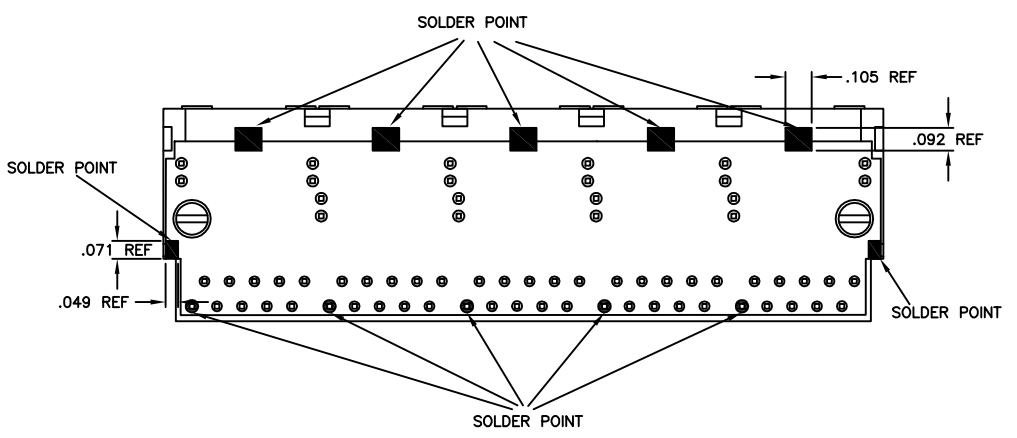
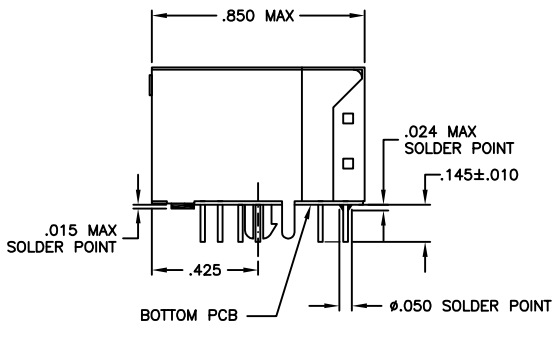
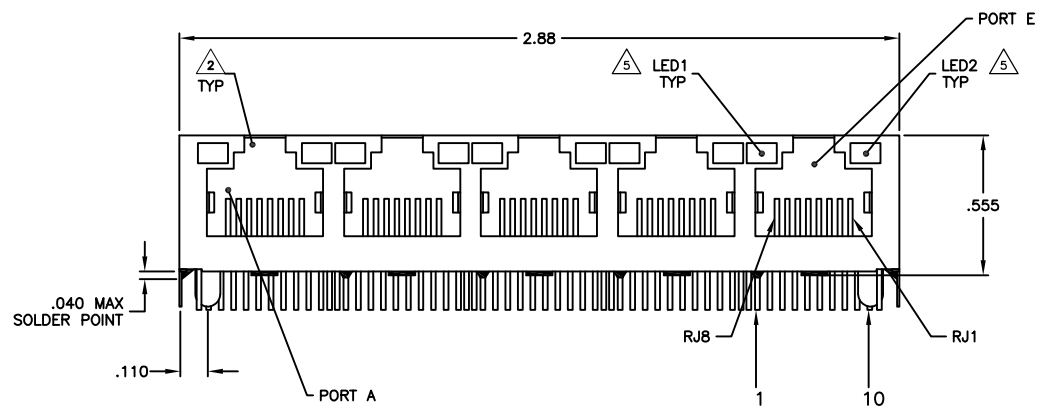
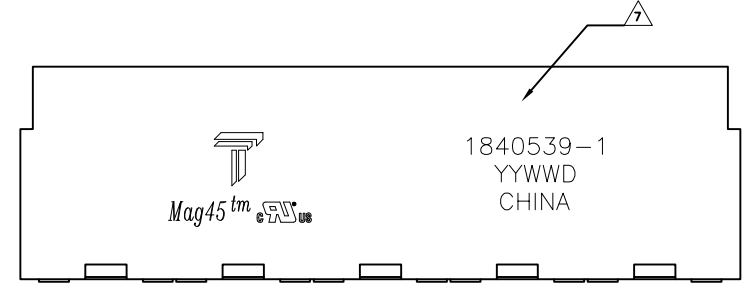


REVISIONS				
#	REV	DESCRIPTION	DATE	BY
F		LOGO CHANGE	23APR2013	JC KZ

MECHANICAL:



- 1 MATERIALS:
  - HOUSING - THERMOPLASTIC PET POLYESTER FLAMMABILITY RATING UL 94V-0.
  - SHIELD - .010" THICK, C26800 BRASS PREPLATED WITH 30μINCH MIN SEMI-BRIGHT NICKEL. SOLDER TABS POST DIPPED WITH 100μINCH MIN SAC SOLDER.
  - MOD JACK CONTACTS - 0.0157 X 0.018" PHOSPHOR BRONZE, 50μINCH MIN OVERALL NICKEL UNDERPLATE WITH SELECT 50μINCH MIN HARD GOLD FINISH PLATE. SOLDER TAILS WITH 100μINCH MIN MATTE TIN AND/OR SAC SOLDER DIP.
  - LIGHT EMITTING DIODE(LED) - DIFFUSED EPOXY LENS, .020" X .020" CARBON STEEL WIREFRAME LEADS PRE-PLATED WITH 80μINCH SILVER OVER 40μINCH NICKEL UNDERPLATE OVER 40μINCH COPPER UNDERPLATE. POST-PLATED WITH 100μIN MIN MATTE TIN AND/OR SAC SOLDER DIP OR PURE TIN SOLDER DIP.
- 2 RJ45 JACK CAVITY CONFORMS TO FCC RULES AND REGULATIONS PART 68, SUB PART F.
- 3 MAGNETICS
  - APPLICATION: 10/100/1000 BASE-T
  - IMPEDANCE: 100 OHMS
  - TURNS RATIO (CHIP-CABLE): 1:1 ALL FOUR PAIRS
  - OPEN CIRCUIT INDUCTANCE (OCL): 350uH MIN @100kHz, 0.1VRMS, 8mADC BIAS FROM 0°C TO 70°C, ALL FOUR PAIRS
  - ALL FOUR PAIRS BI-DIRECTIONAL
  - PERFORMANCE @ 25°C:
    - INSERTION LOSS (IL): 1.1dB MAX FROM 0.5MHz TO 100MHz
    - RETURN LOSS (RL): 18dB MIN FROM 0.5MHz TO 40MHz
    - 12-20LOG(f/80)dB MIN FROM 40.1MHz TO 100MHz
    - CROSSTALK ATTENUATION: 35dB MIN FROM 0.5MHz TO 40MHz
    - 33-20LOG(f/50)dB MIN FROM 40.1MHz TO 100MHz
    - COMMON MODE REJECTION RATIO (CMRR): 30dB MIN FROM 0.5MHz TO 100MHz
    - ISOLATION VOLTAGE: COMPLIES WITH IEEE802.3 2002, PARA 40.6.1.1, ITEM b
- 4. OPERATING TEMPERATURE: FROM 0°C TO +70°C.
- 5 THE 250 OHM LED RESISTORS ARE OPTIONAL, PLEASE SEE CHART FOR PRESENCE OR ABSENCE OF LED RESISTORS.
  - IF THE LED WITHOUT 250 OHM RESISTORS, LED IS DRIVEN WITH CONSTANT CURRENT AT APPROX 20mA.
  - LED COLOR: DOMINANT WAVELENGTH (λ D): UNLESS OTHERWISE SPECIFIED GREEN 568nm TYP.
  - ULWGREEN 525 nm. at IF=20mA
  - FORWARD VOLTAGE (VF): GREEN 2.2V TYP.
  - ULWGREEN 2.8V. at IF=20mA
  - DOMINANT WAVELENGTH (λ D): YELLOW 588 nm TYP. at IF=20mA
  - FORWARD VOLTAGE (VF): YELLOW 2.1V TYP. at IF=20mA.
  - IF THE LED WITH 250 OHM RESISTORS, LED IS DRIVEN WITH 5V VOLTAGE AND THE MAX OPERATING CURRENT IS 20mA.
  - LED COLOR: DOMINANT WAVELENGTH (λ D): GREEN 568 nm TYP. At VF=5V
  - FORWARD CURRENT (IF): GREEN 12 mA TYP. at VF=5V
  - DOMINANT WAVELENGTH (λ D): YELLOW 588 nm TYP. At VF=5V
  - FORWARD CURRENT (IF): YELLOW 13 mA TYP. at VF=5V
- 6 THE MAGNETICS ARE SYMMETRICAL TO SUPPORT AUTO-MDI/MDIX.
- 7 TRP CONNECTOR LOGO, PART NUMBER, DATE CODE, COUNTRY OF ORIGIN AND AGENCY APPROVAL MARKING IN APPROXIMATE LOCATION SHOWN.
- 8. THESE PARTS ARE RECOMMENDED FOR WAVE SOLDERING PROCESS, PREHEAT TEMPERATURE IS 120 °C TO 160 °C, 120 SECONDS TO 180 SECONDS, PEAK WAVE SOLDERING TEMPERATURE IS 260 °C MAX, 10 SECONDS MAX.

YES	ULWGREEN/YELLOW	NO	ULWGREEN/YELLOW	NO	3-1840539-6
NO	ULWGREEN/YELLOW	NO	ULWGREEN/YELLOW	NO	2-1840539-6
NO	GREEN	YES	GREEN	YES	1-1840539-1
NO	YELLOW	NO	YELLOW	NO	1-1840539-0
NO	YELLOW	NO	GREEN	NO	1840539-9
NO	GREEN	NO	YELLOW	NO	1840539-8
NO	GREEN	NO	GREEN	NO	1840539-7
NO	GREEN/YELLOW	NO	GREEN/YELLOW	NO	1840539-6
NO	GREEN/YELLOW	NO	GREEN	NO	1840539-5
NO	GREEN/YELLOW	NO	GREEN	YES	1840539-4
NO	YELLOW	YES	YELLOW	YES	1840539-3
NO	YELLOW	YES	GREEN	YES	1840539-2
NO	GREEN	YES	YELLOW	YES	1840539-1
GROUNDING TABS	LED 1	250 OHMS RESISTOR	LED 2	250 OHMS RESISTOR	PART NUMBER

THIS DRAWING IS A CONTROLLED DOCUMENT.

APPROVED: DENNIS CHEN	DATE: 30JUL2007	TRP connector
APPROVED: TEDDY XIANG	DATE: 30JUL2007	Dongguan China

PRODUCT SPEC: 108-2100

APPLICATION SPEC: WITH BOTTOM PCB OPTION TABS, WITH LEDS

NAME: 1X5 MAG45(TM) MODULAR JACK, 7G05 GIGABIT CIRCUIT (10 PIN HORIZONTAL), WITH BOTTOM PCB OPTION TABS, WITH LEDS

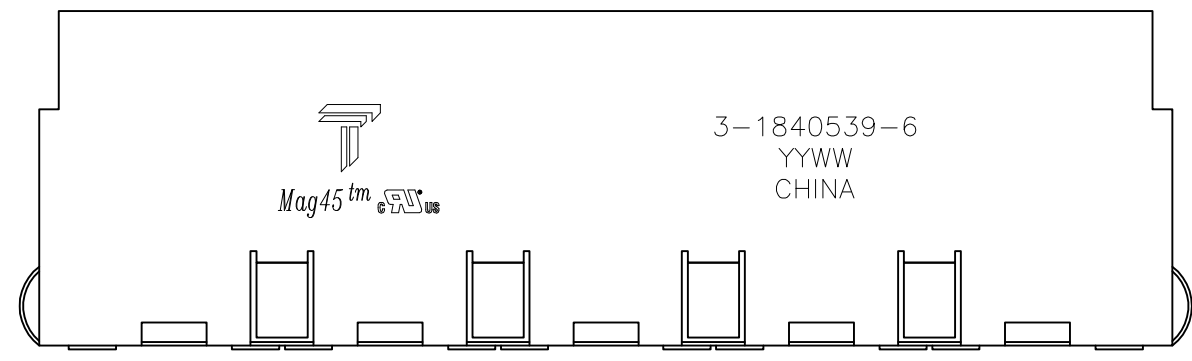
SIZE: A1

SCALE: 4:1

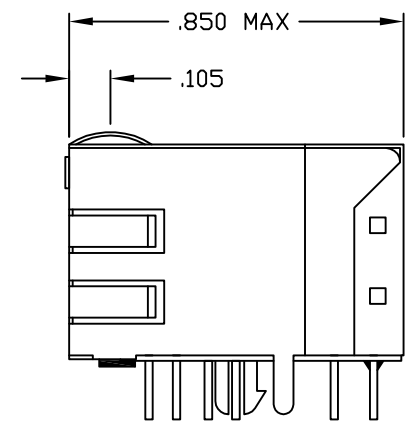
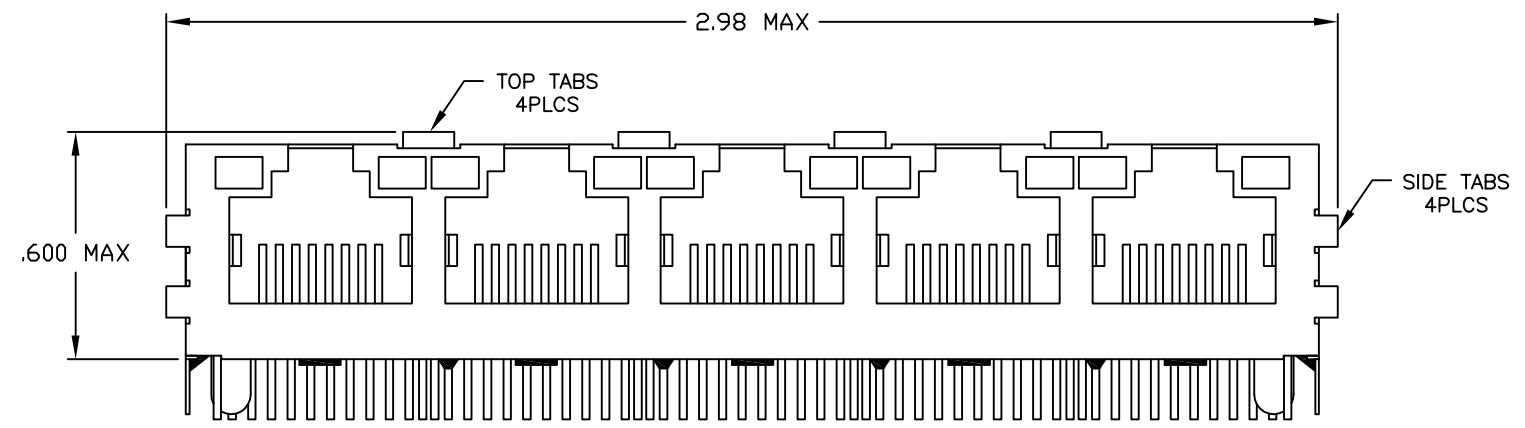
SHEET: 1 OF 3


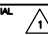
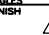
REV: F

REVISIONS				
#	LR	DESCRIPTION	DATE	DRW
-	-	-	-	-



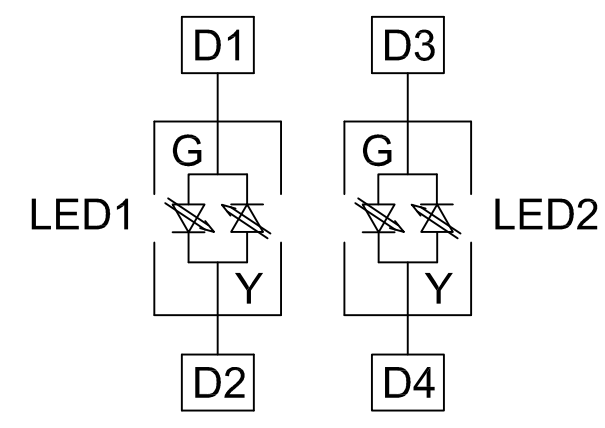
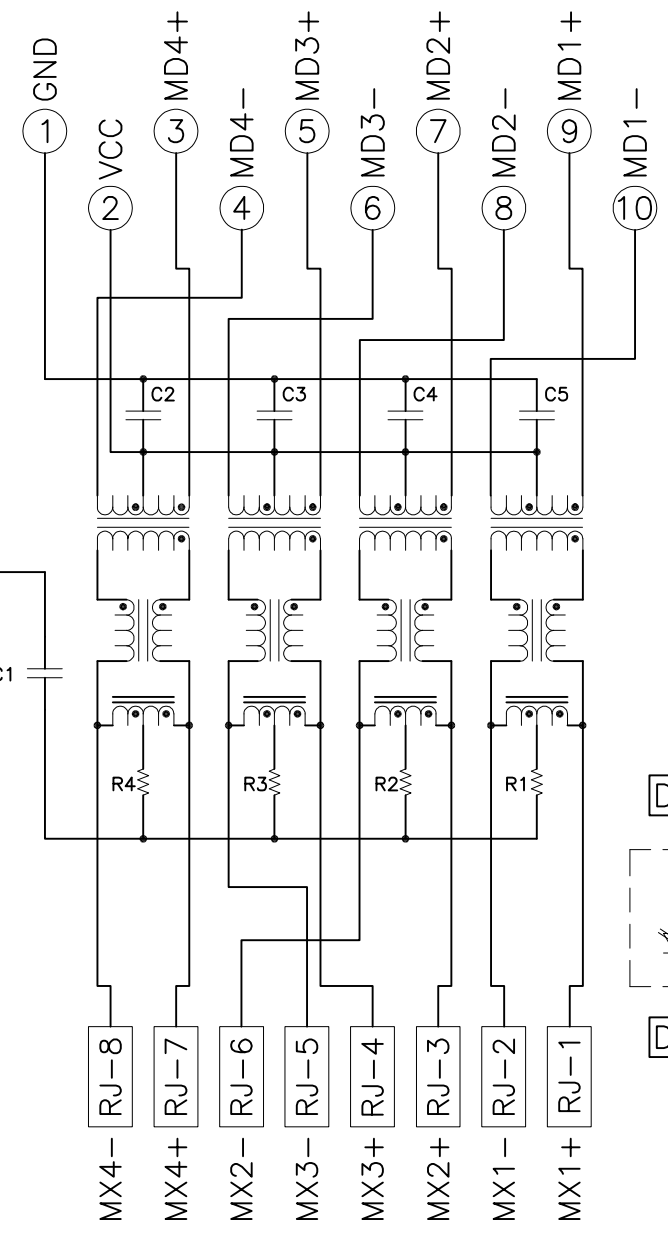
VIEW FOR  
3-1840539-6



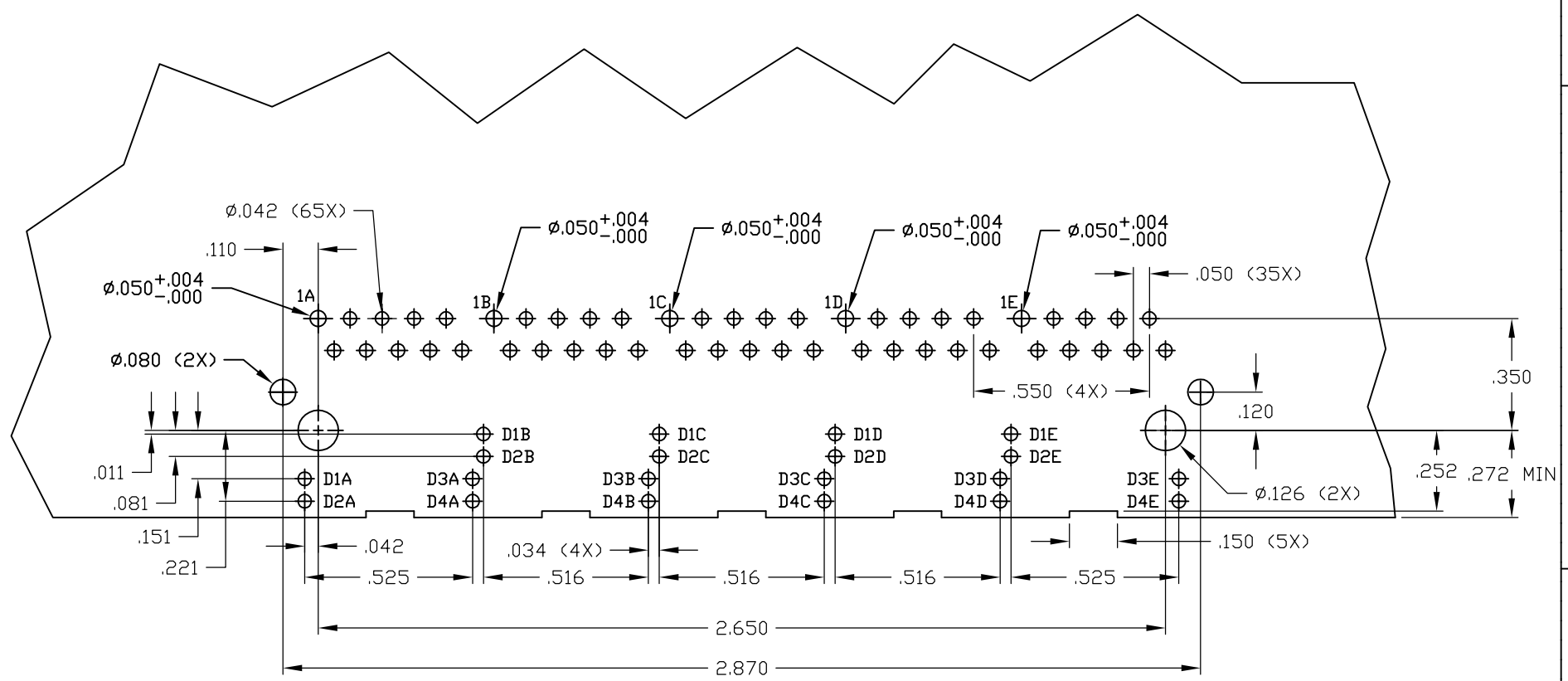
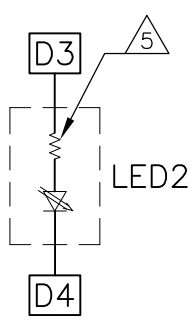
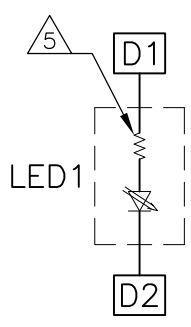
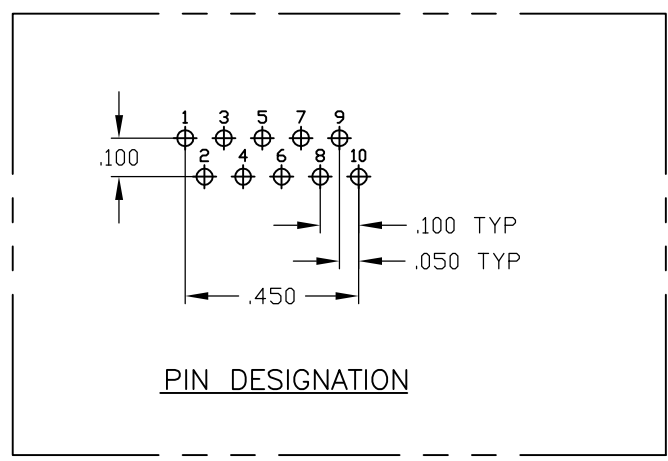
THIS DRAWING IS A CONTROLLED DOCUMENT.		DRW: CLOUD ZENG 30JUL2007	 TRP connector Dongguan China
DIMENSIONS: INCHES		CHK: DENNIS CHEN 30JUL2007	
TOLERANCES UNLESS OTHERWISE SPECIFIED: 0 PLC ± - 1 PLC ± - 2 PLC ± .010 3 PLC ± .005 4 PLC ± - ANGLES ± -		APPRO: TEDDY XIONG 30JUL2007	
MATERIAL: 		FINISH: 	NAME: 1X5 MAG45(TM) MODULAR JACK, 7G05 GIGABIT CIRCUIT (10 PIN HORIZONTAL), WITH BOTTOM PCB OPTION TABS, WITH LEDS SIZE: A1 GAGE CODE: - DRAWING NO: C=1840539 RESTRICTED TO: - CUSTOMER DRAWING SCALE: 4:1 SHEET 2 OF 3 REV F

REVISIONS				
#	REV	DESCRIPTION	DATE	APPD
-	-	-	-	-

7G05 GIGABIT CIRCUIT  $\triangle_3 \triangle_6$



LED CONFIGURATION FOR BI-COLOR



SUGGESTED PCB LAYOUT (Component Side)

C1=1000pF, 2kV CAPACITOR  
 R1-R4=75 OHMS, 1/16W RESISTOR  
 C2-C5=0.1uF, 50V CAPACITOR

THIS DRAWING IS A CONTROLLED DOCUMENT.		DRW: CLOUD ZENG 30JUL2007	 TRP connector Dongguan China
DIMENSIONS: INCHES		CHK: DENNIS CHEN 30JUL2007	
TOLERANCES UNLESS OTHERWISE SPECIFIED:		APPD: TEDDY XIANG 30JUL2007	NAME: 1X5 MAG45(TM) MODULAR JACK, 7G05 GIGABIT CIRCUIT (10 PIN HORIZONTAL), WITH BOTTOM PCB OPTION TABS, WITH LEDS SIZE: A1 SCALE: 4:1
0 PLC ± - 1 PLC ± .010 2 PLC ± .010 3 PLC ± .005 4 PLC ± - ANGLES ± -		PRODUCT SPEC: 108-2100 APPLICATION SPEC: MATERIAL: FINISH:	
MATERIAL: -		WEIGHT: -	RESTRICTED TO: -
CUSTOMER DRAWING		SCALE: 4:1	SHEET 3 OF 3 REV F