

REVISIONS				
P	LTR	DESCRIPTION	DATE	APVD
C		LOGO CHANGE	10APR2013	RL KZ

1. MATERIALS:
 HOUSING: BLACK, THERMOPLASTIC, RATED UL 94V-0
 SHIELD: COPPER ALLOY, WITH NICKEL PLATE
 SHELL: CARBON STEEL,
 CONTACTS: PHOSPHOR BRONZE
 INSERTS: THREADED, STAINLESS STEEL
 CONTACT PLATING: 0.05µm MIN GOLD OVER 0.76µm MIN PALLADIUM-NICKEL,
 AT MATING INTERFACE CONTACT AREA
2. MAGNETICS
 -APPLICATION: 10/100/1000 BASE-T
 -IMPEDANCE: 100 OHMS
 -TURNS RATIO (CHIP:CABLE): 1:1 ALL FOUR PAIRS
 -OPEN CIRCUIT INDUCTANCE (OCL): 350µH MIN @100kHz, 0.1VRMS,
 8mADC BIAS FROM 0°C TO 70°C, ALL FOUR PAIRS
 -ALL FOUR PAIRS BI-DIRECTIONAL
 -PERFORMANCE @ 25°C:
 INSERTION LOSS (IL): 1.1dB MAX FROM 0.5MHz TO 100MHz
 RETURN LOSS (RL): 18dB MIN FROM 0.5MHz TO 40MHz
 12-20LOG(f/80)dB MIN FROM 40.1MHz TO 100MHz
 CROSSTALK ATTENUATION: 35dB MIN FROM 0.5MHz TO 40MHz
 33-20LOG(f/50)dB MIN FROM 40.1MHz TO 100MHz
 COMMON MODE REJECTION RATIO (CMRR): 30dB MIN FROM 0.5MHz TO 100MHz
 -ISOLATION VOLTAGE: COMPLIES WITH IEEE802.3 2002, PARA 40.6.1.1, ITEM b.

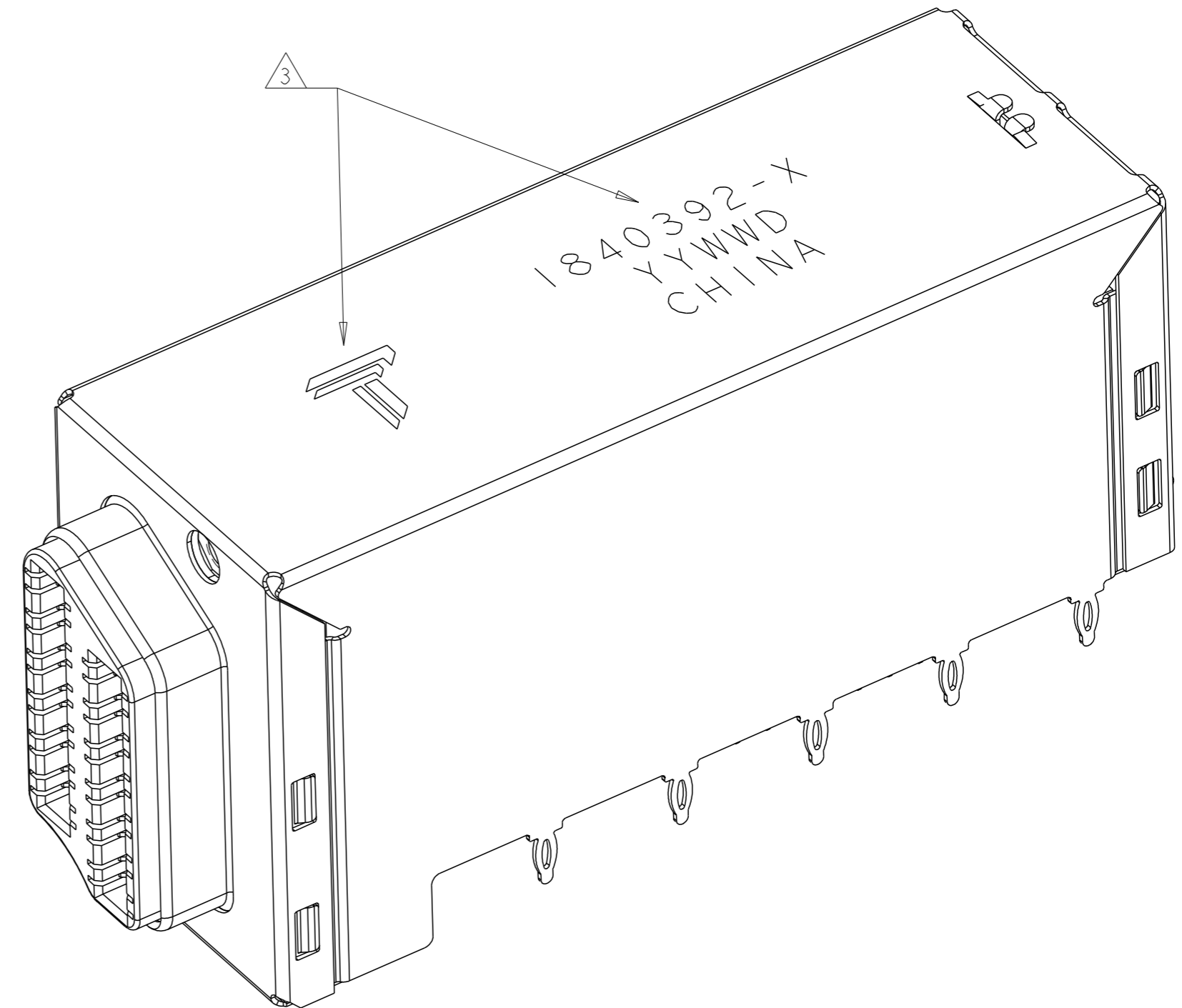
3. TRP CONNECTOR LOGO, PART NUMBER, DATE CODE AND COUNTRY OF ORIGIN, SHOWN IN APPROXIMATE LOCATION, DATE CODE: YYWWD "YY" IS YEAR, "WW" IS WORK WEEK, "D" IS DAY OF WEEK, WITH SUNDAY=1

4. RECOMMENDED PCB THICKNESS 1.5mm (.062")
5. SCREW LOCKS ARE FOR USE WITH JACKSCREWS TO PROVIDE CABLE RETENTION
6. RECOMMENDED TORQUE FOR SCREW LOCK IS 4 IN-LB

7. SCREW LOCK DESIGNATIONS:
 SCREW LOCKS MUST BE ORDER SEPARATELY FROM BELOW TABLE
 SCREW LOCKS PACKAGED IN QUANTITY OF 960 PIECES

> 1mm - < 2mm	1339381-2
> 0mm - < 1mm	1339381-1
PANEL THICKNESS	SCREW LOCK PART NUMBER

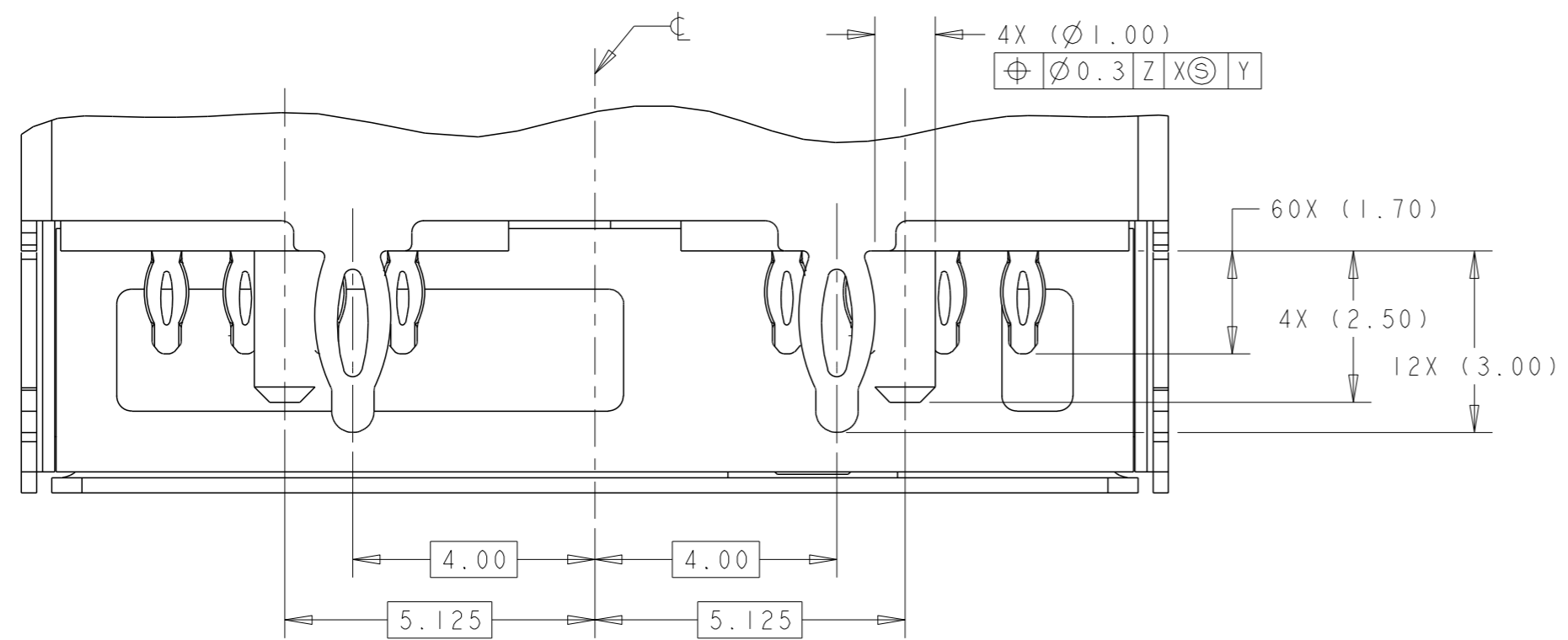
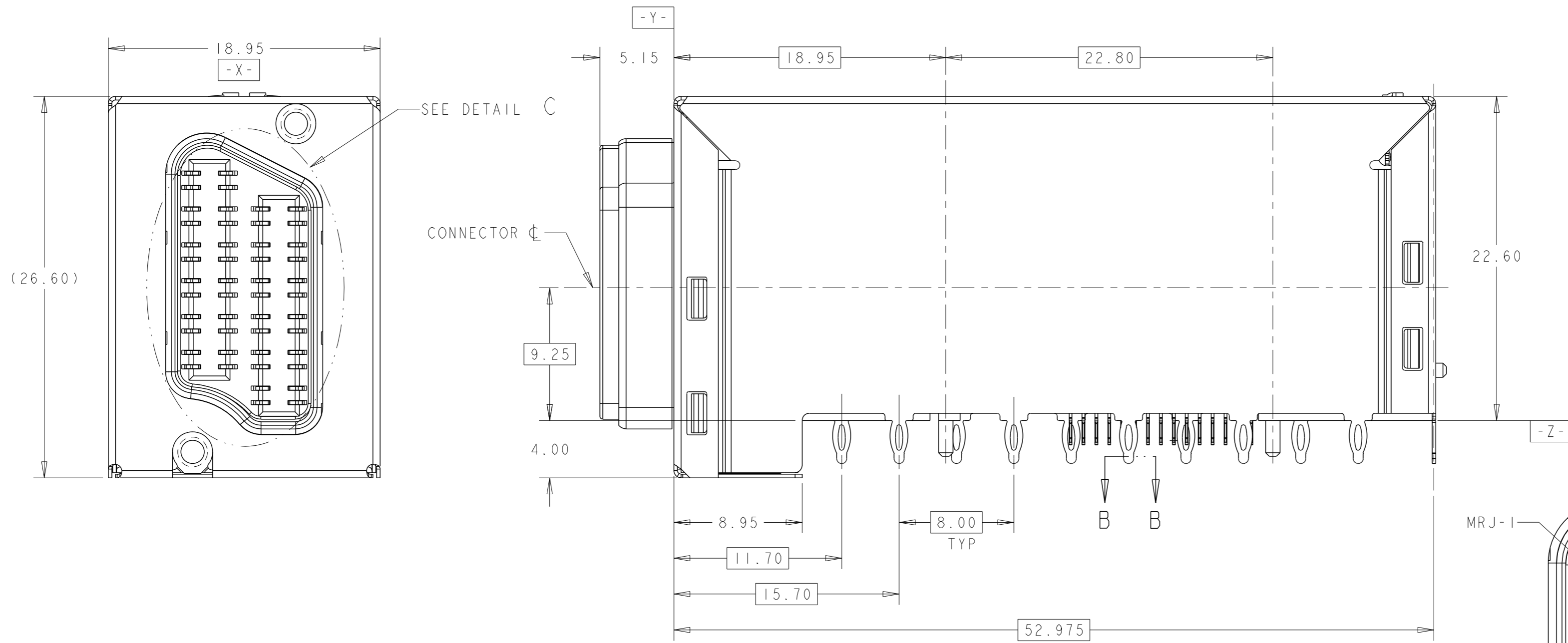
8. OPERATING TEMPERATURE: FROM 0°C TO 70°C



1840392-1

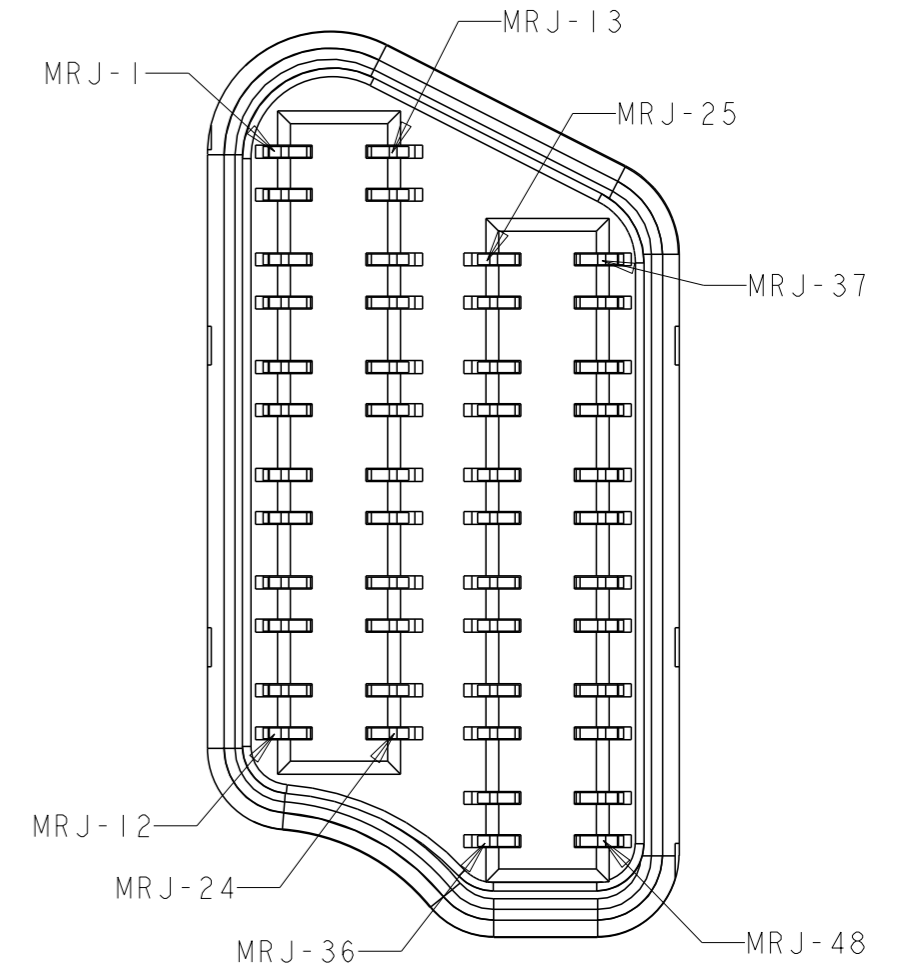
PART NUMBER

THIS DRAWING IS A CONTROLLED DOCUMENT.		DWN TOMMY REN 25 JUL 2008	TRP connector Dongguan China															
DIMENSIONS: mm		CHK KEITH ZHU 25 JUL 2008																
TOLERANCES UNLESS OTHERWISE SPECIFIED:		APVD TEDDY XIONG 25 JUL 2008	NAME SINGLE POSITION MODULE, 4mm OFFSET, NON-POE, MRJ-21, 9G34 CIRCUIT															
<table border="0"> <tr> <td>0 PLC</td> <td>±0.25</td> </tr> <tr> <td>1 PLC</td> <td>±0.25</td> </tr> <tr> <td>2 PLC</td> <td>±0.25</td> </tr> <tr> <td>3 PLC</td> <td>±0.25</td> </tr> <tr> <td>4 PLC</td> <td>±</td> </tr> <tr> <td>ANGLES</td> <td>±</td> </tr> <tr> <td>FINISH</td> <td>±</td> </tr> </table>		0 PLC	±0.25	1 PLC	±0.25	2 PLC	±0.25	3 PLC	±0.25	4 PLC	±	ANGLES	±	FINISH	±	PRODUCT SPEC 108-2286	SIZE A2	DRAWING NO C=1840392
0 PLC	±0.25																	
1 PLC	±0.25																	
2 PLC	±0.25																	
3 PLC	±0.25																	
4 PLC	±																	
ANGLES	±																	
FINISH	±																	
MATERIAL		APPLIC. SPEC	RESTRICTED TO															
		WEIGHT	SCALE NTS	SHEET 1 OF 5														
		CUSTOMER DRAWING	REV C															



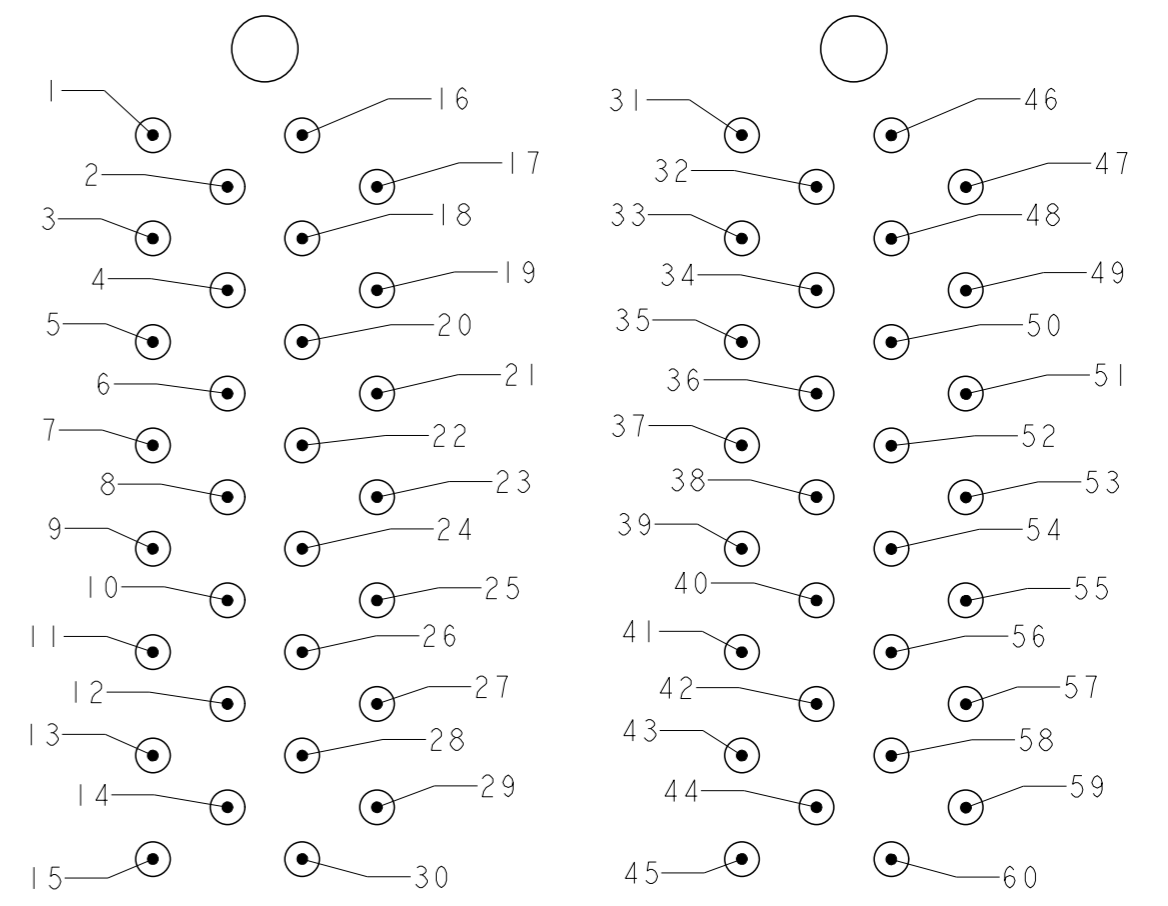
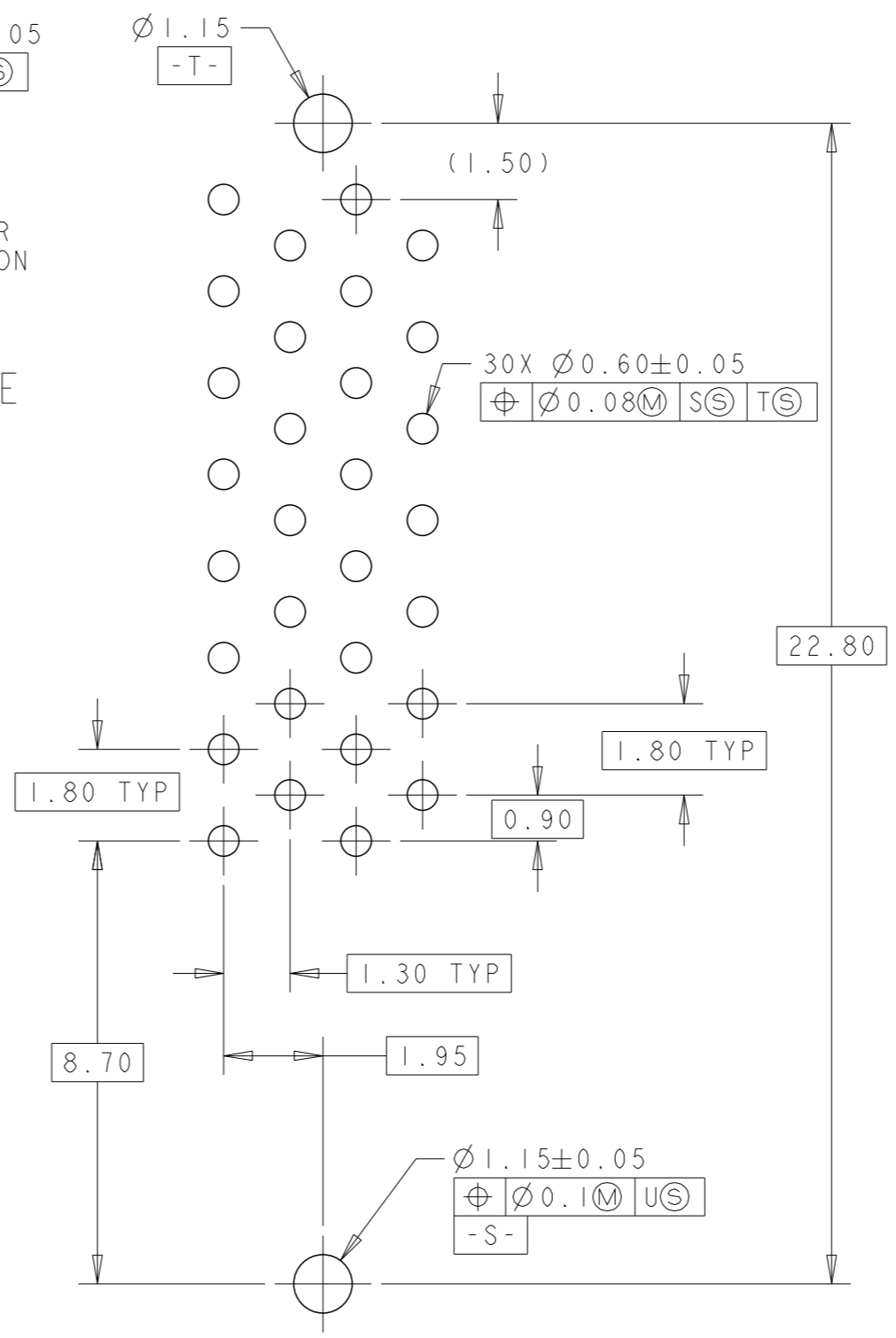
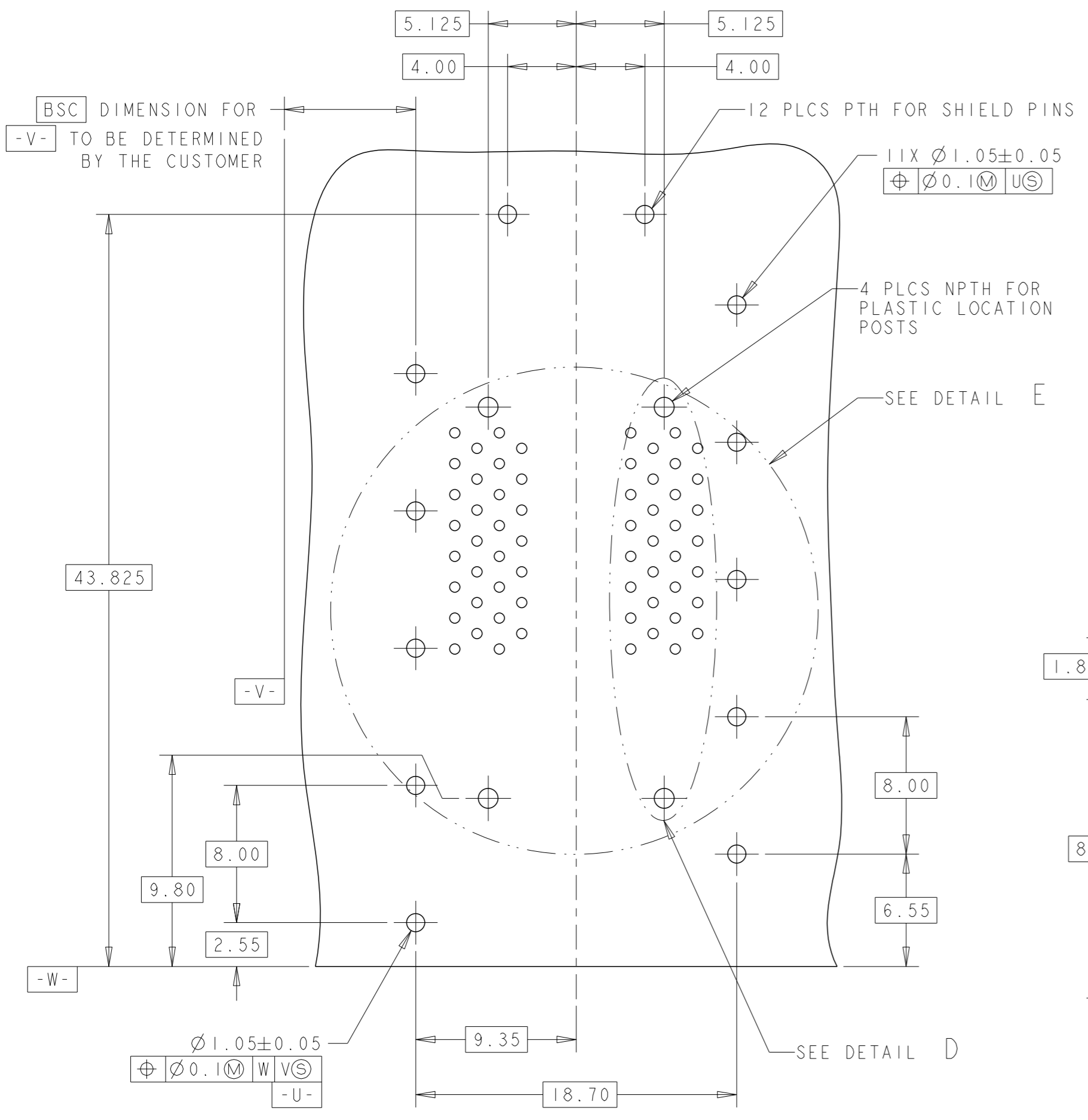
SECTION A-A
SCALE 10:1

SECTION B-B
12X INDIVIDUALLY
SCALE 25:1



DETAIL C
MRJ INTERFACE
PIN DESIGNATIONS
SCALE 6:1

THIS DRAWING IS A CONTROLLED DOCUMENT.		DWN TOMMY REN 25JUL2008	<p>TRP connector Dongguan China</p>													
DIMENSIONS: mm		CHK KEITH ZHU 25JUL2008														
TOLERANCES UNLESS OTHERWISE SPECIFIED:		APVD TEDDY XIANG 25JUL2008														
<table border="1"> <tr><td>0 PLC</td><td>±0.25</td></tr> <tr><td>1 PLC</td><td>±0.25</td></tr> <tr><td>2 PLC</td><td>±0.25</td></tr> <tr><td>3 PLC</td><td>±0.25</td></tr> <tr><td>4 PLC</td><td>±</td></tr> <tr><td>ANGLES</td><td>±</td></tr> <tr><td>FINISH</td><td>±</td></tr> </table>		0 PLC		±0.25	1 PLC	±0.25	2 PLC	±0.25	3 PLC	±0.25	4 PLC	±	ANGLES	±	FINISH	±
0 PLC	±0.25															
1 PLC	±0.25															
2 PLC	±0.25															
3 PLC	±0.25															
4 PLC	±															
ANGLES	±															
FINISH	±															
MATERIAL		NAME SINGLE POSITION MODULE, 4mm OFFSET, NON-POE, MRJ-21, 9G34 CIRCUIT	RESTRICTED TO -													
		SIZE A2	DRAWING NO C=1840392													
		SCALE NTS	SHEET 2 OF 5 REV C													

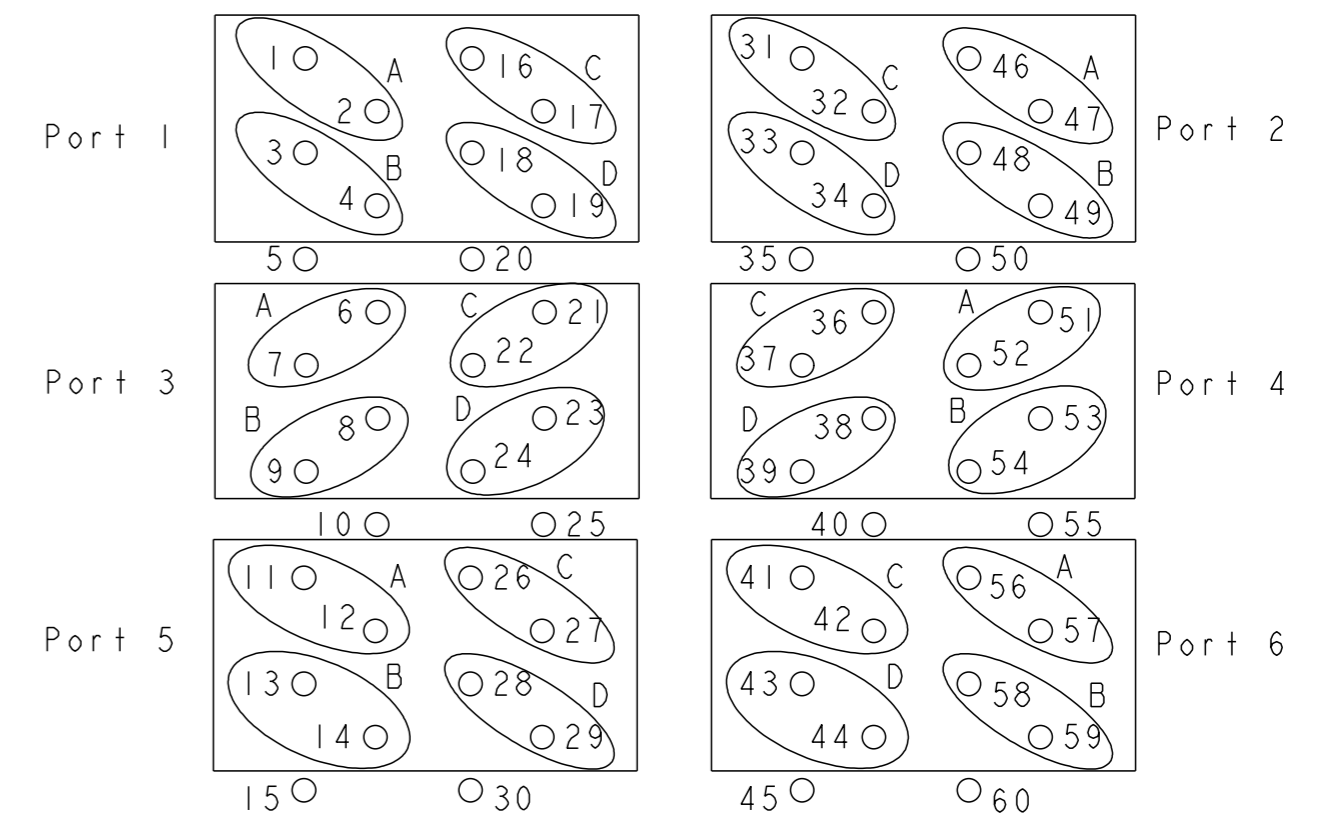
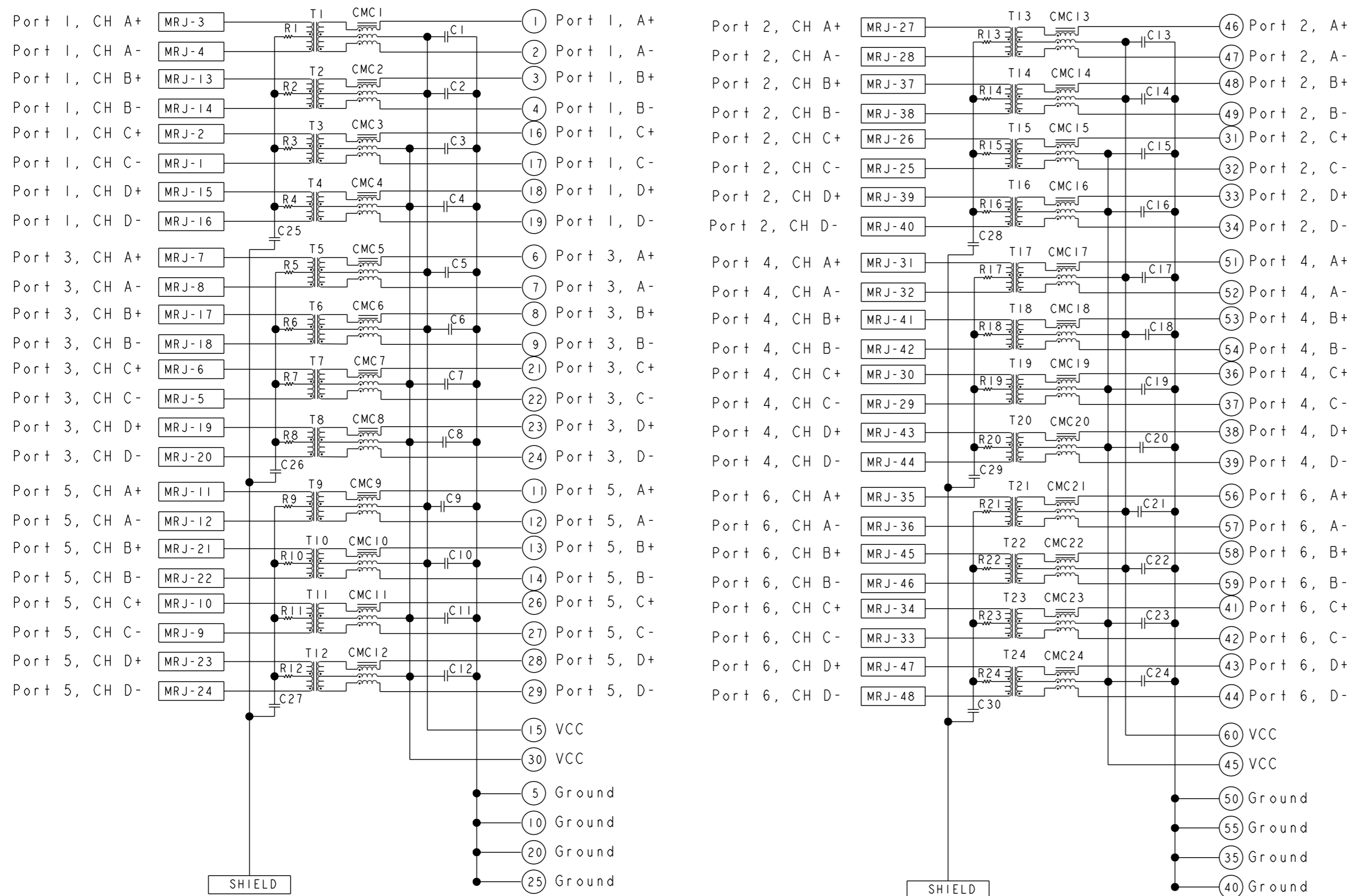


DETAIL D
2X INDIVIDUALLY
SCALE 8:1

DETAIL E
HOST BOARD PIN IDENTIFIERS
SCALE 8:1

THIS DRAWING IS A CONTROLLED DOCUMENT.		DWN TOMMY REN 25 JUL 2008	<p>TRP connector Dongguan China</p>													
DIMENSIONS: mm		CHK KEITH ZHU 25 JUL 2008														
TOLERANCES UNLESS OTHERWISE SPECIFIED:		APVD TEDDY XIONG 25 JUL 2008														
<table border="1"> <tr><td>0 PLC</td><td>±0.25</td></tr> <tr><td>1 PLC</td><td>±0.25</td></tr> <tr><td>2 PLC</td><td>±0.25</td></tr> <tr><td>3 PLC</td><td>±0.25</td></tr> <tr><td>4 PLC</td><td>±0.25</td></tr> <tr><td>ANGLES</td><td>±</td></tr> <tr><td>FINISH</td><td>±</td></tr> </table>		0 PLC		±0.25	1 PLC	±0.25	2 PLC	±0.25	3 PLC	±0.25	4 PLC	±0.25	ANGLES	±	FINISH	±
0 PLC	±0.25															
1 PLC	±0.25															
2 PLC	±0.25															
3 PLC	±0.25															
4 PLC	±0.25															
ANGLES	±															
FINISH	±															
MATERIAL		APPLICATION SPEC	NAME SINGLE POSITION MODULE, 4mm OFFSET, NON-POE, MRJ-21, 9G34 CIRCUIT													
		SIZE A2	CAGE CODE C=1840392													
		WEIGHT	DRAWING NO RESTRICTED TO													
CUSTOMER DRAWING		SCALE NTS	SHEET 3 OF 5 REV C													

9G34 GIGABIT CIRCUIT Δ

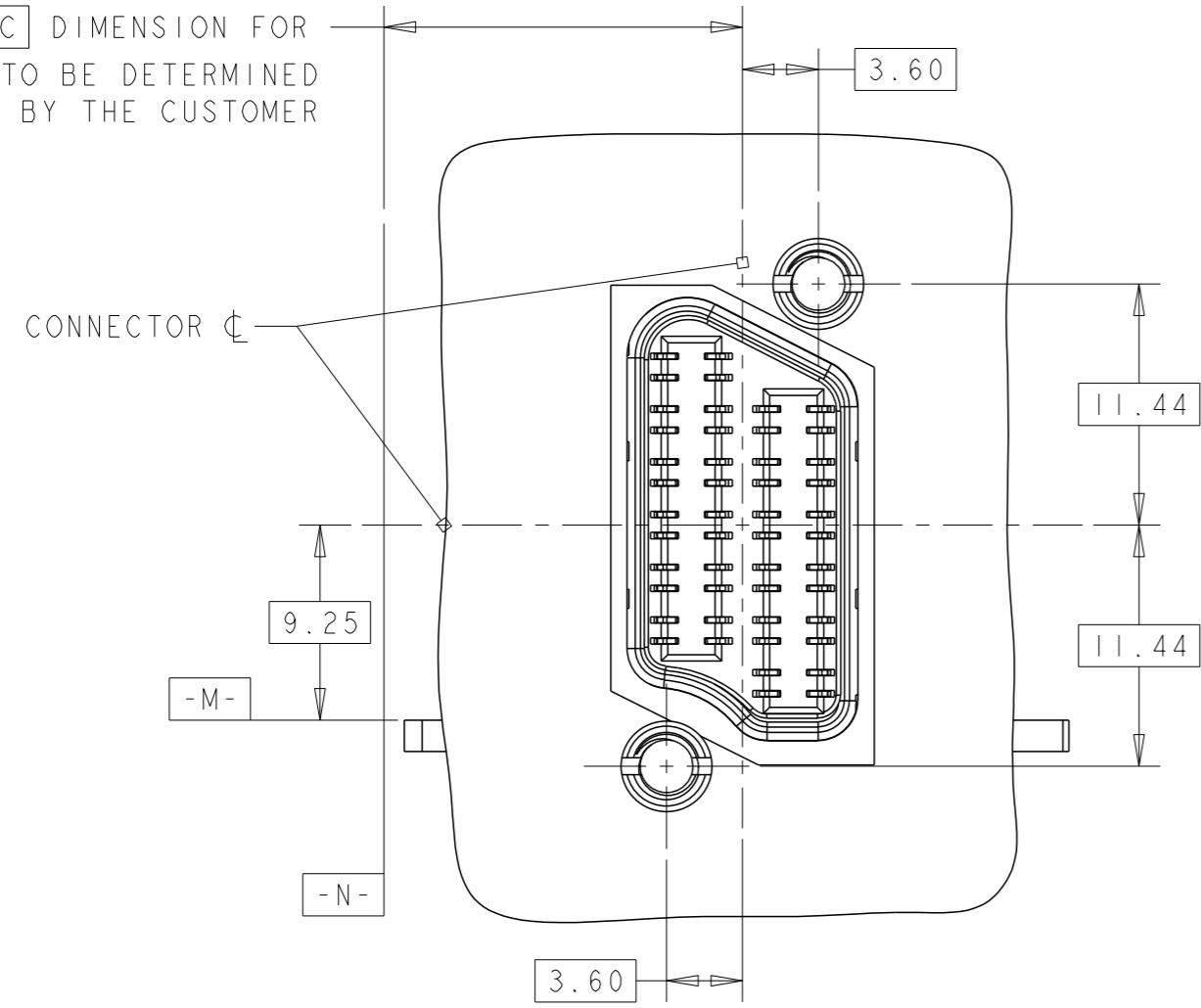


FOOTPRINT

RI-R24 = 75 ohms, RESISTOR
 CI-C24 = 10 nF, 50V, CAPACITOR
 C25-C30 = 1000pF, 2kV, CAPACITOR

THIS DRAWING IS A CONTROLLED DOCUMENT.		DWN TOMMY REN 25JUL2008	 TRP connector Dongguan China
DIMENSIONS: mm		CHK KEITH ZHU 25JUL2008	
		APVD TEDDY XIONG 25JUL2008	
TOLERANCES UNLESS OTHERWISE SPECIFIED:		PRODUCT SPEC	NAME
0 PLC	±0.25	108-2286	SINGLE POSITION MODULE, 4mm
1 PLC	±0.25	APPLICATION SPEC	OFFSET, NON-POE, MRJ-21, 9G34 CIRCUIT
2 PLC	±0.25	SIZE	A2
3 PLC	±0.25	CAGE CODE	
4 PLC	±	DRAWING NO	C=1840392
ANGLES	±	RESTRICTED TO	
FINISH	±	SCALE	NTS
MATERIAL		WEIGHT	SHEET 4 OF 5
		CUSTOMER DRAWING	REV C

BSC DIMENSION FOR
-N- TO BE DETERMINED
BY THE CUSTOMER

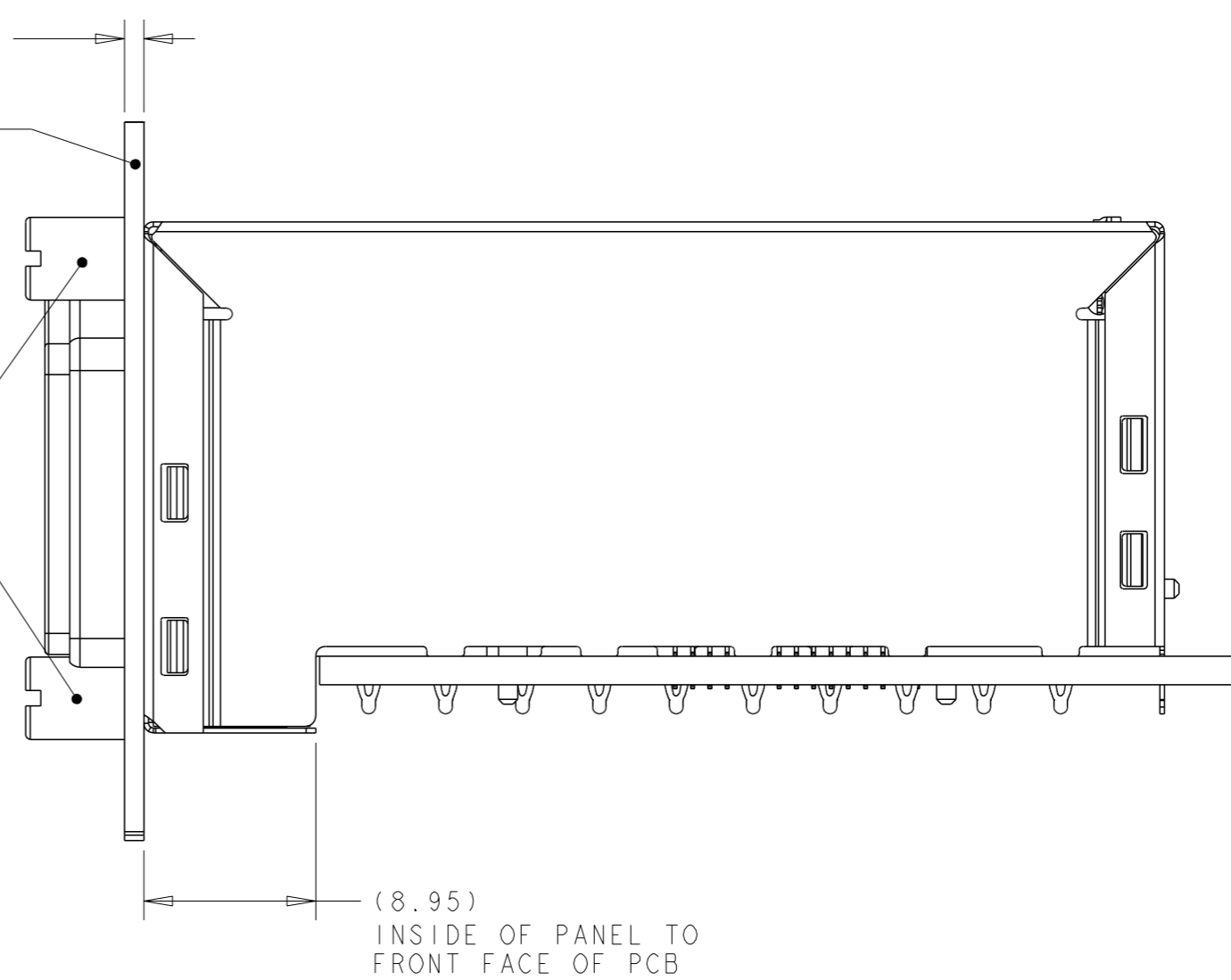


RECOMMENDED PANEL CUTOUT
SHOWN WITH JACK SCREWS

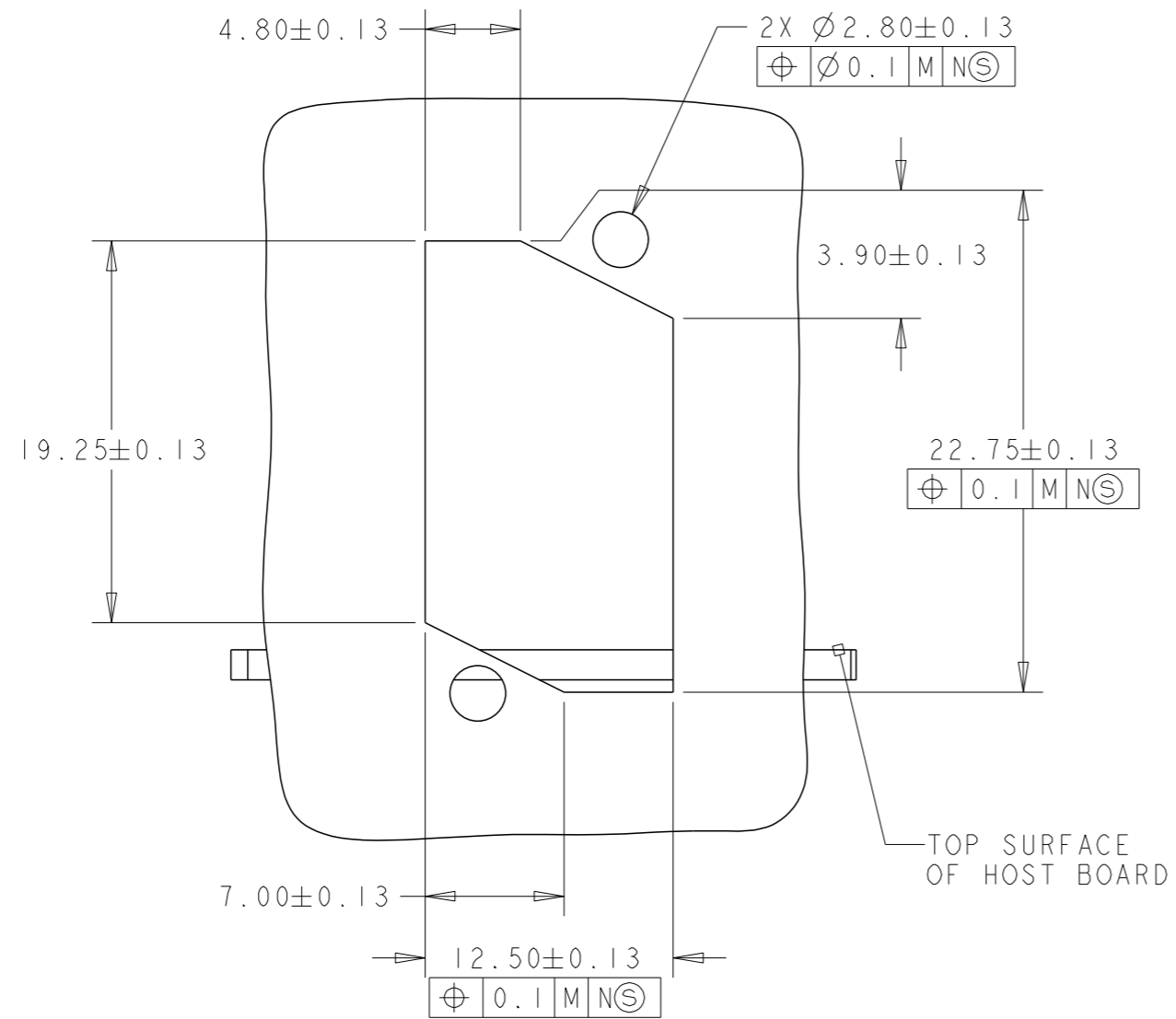
△ PANEL THICKNESS

PANEL SHOULD BE MATED TO THE
FRONT FACE OF THE HOST BOARD
AND SECURE THE CONNECTOR TO
THE PANEL WITH SCREW LOCKS TO
PROVIDE MAXIMUM STRAIN RELIEF

△ SCREW LOCKS
2 PLC



SHOWN WITH SCREW LOCKS REINSTALLED
THRU PANEL AFTER INSERTION INTO BOARD



RECOMMENDED PANEL CUTOUT
SHOWN THE HOST BOARD ASSEMBLY WITH PANEL ONLY

THIS DRAWING IS A CONTROLLED DOCUMENT.		DWN TOMMY REN 25 JUL 2008	<p>TRP connector Dongguan China</p>													
DIMENSIONS: mm		CHK KEITH ZHU 25 JUL 2008														
TOLERANCES UNLESS OTHERWISE SPECIFIED:		APVD TEDDY XIANG 25 JUL 2008														
<table border="1"> <tr><td>0 PLC</td><td>±0.25</td></tr> <tr><td>1 PLC</td><td>±0.25</td></tr> <tr><td>2 PLC</td><td>±0.25</td></tr> <tr><td>3 PLC</td><td>±0.25</td></tr> <tr><td>4 PLC</td><td>±0.25</td></tr> <tr><td>ANGLES</td><td>±</td></tr> <tr><td>FINISH</td><td>±</td></tr> </table>		0 PLC		±0.25	1 PLC	±0.25	2 PLC	±0.25	3 PLC	±0.25	4 PLC	±0.25	ANGLES	±	FINISH	±
0 PLC	±0.25															
1 PLC	±0.25															
2 PLC	±0.25															
3 PLC	±0.25															
4 PLC	±0.25															
ANGLES	±															
FINISH	±															
MATERIAL	-	NAME SINGLE POSITION MODULE, 4mm OFFSET, NON-POE, MRJ-21, 9G34 CIRCUIT	RESTRICTED TO													
CUSTOMER DRAWING		SIZE A2	DRAWING NO C=1840392													
SCALE NTS		SHEET 5 OF 5	REV C													