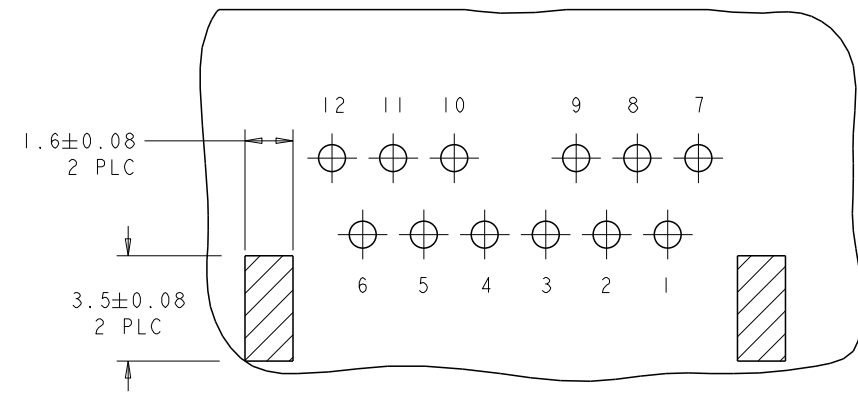
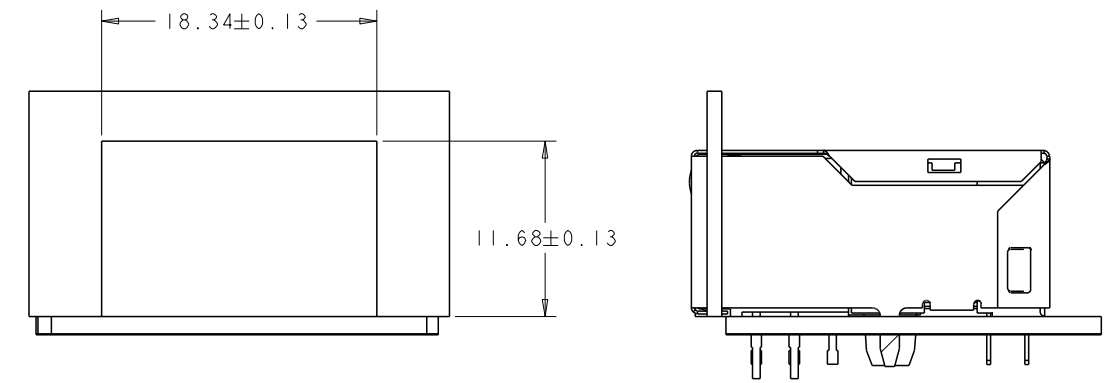


SUGGESTED PCB LAYOUT  
 (COMPONENT SIDE)

IT IS RECOMMENDED THAT SHADED AREA OF CUSTOMER PC BOARD BE CLEAR OF ANY VIA HOLE, COMPONENT AND CIRCUIT TRACE



PIN DESIGNATIONS



SUGGESTED PANEL OPENING

THIS DRAWING IS A CONTROLLED DOCUMENT.		DRW: 20MAR2009 YKIN LEE	TRP connector Dongguan China	
DIMENSIONS: mm		CHK: 20MAR2009 QUENTIN LIU		
TOLERANCES UNLESS OTHERWISE SPECIFIED:		APPD: 20MAR2009 LIJUN RAO		
	0 PLC ±	PRODUCT SPEC	NAME: IXI MAG45(TM), MODULAR JACK	
	1 PLC ±0.25	APPLICATION SPEC	8G18 SERIES GIGABIT CIRCUIT	
	2 PLC ±0.25	APPROVAL	SIZE: A1	CAGE CODE: C=1840476
	3 PLC ±	WEIGHT	RESTRICTED TO	
	4 PLC ±	FINISH	SCALE: 8:1	
	ANGLES ±	CUSTOMER DRAWING	SHEET 2 OF 2	
MATERIAL:	FINISH:	REV: B		